



by PACIFIC ARCHITECTURAL MILLWORK

M-Series Push-Out Casement WA7000

(rev. 06.14.18)

M-Series Push-Out Casement WA7000

Section Contents

Section Contents	2
Product Overview	3
Introduction	3
Wood Species	3
Glazing Options	3
Other Options	3
Product Parameters	3
Hardware Images	4
Exterior Elevation	5
Head Detail	6
Head Detail (with Roll Screen)	7
Sill Detail	8
Sill Detail (with Roll Screen)	9
Left Jamb Detail	10
Left Jamb Detail (with Roll Screen)	11
Right Jamb Detail	12
Right Jamb Detail (with Roll Screen)	13
Traditional Vs. Contemporary Stop Detail	14
Contemporary SDL Detail	15

Product Overview



Introduction

The M-Series Push-Out Casement WA7000 (wood with exterior aluminum cladding) hardware includes durable stainless steel friction hinges and concealed multi-point locks to simplify operation and remove the need for traditional crank-out hardware.

The solid wood M-Series Casement configuration vents from the side by rotating the handle 90 degrees and opening the window with a smooth push-out motion. The extruded aluminum cladding minimizes exterior window maintenance in a variety of finishes, including custom color-matched Kynar™ (suitable for harsh coastal environments) and clear- or bronze-anodized options. A concealed roll screen option is also available, which retracts into the top of the window when not in use to maximize your unobstructed view.

Wood Species

Our standard wood species are the following:



The mark of responsible forestry

- Pine
- Vertical Grain Douglas Fir
- African Mahogany

Ask for FSC®-certified products. Alternative and exotic wood species are also available.

Glazing Options

Standard glazing for the M-Series Casement WA7000 is 1-1/8" overall insulated glass. Custom glazing and tinted glass are available.

Other Options

The M-Series Casement WA7000 can be purchased with additional options such as concealed roll screens, jamb extensions, egress hinges and/or divided lites. It can also mull to a variety of other Reveal products for consistency of sightlines and design. Contact Reveal Windows & Doors for additional options and customization.

Product Parameters

Min Frame Height	14"
Max Frame Height	92"
Min Frame Width	14"
Max Frame Width	42"
Stile Width	3"
Min Jamb Depth	4" (from back of nail fin)
Sash Thickness	2-3/4"
Edge Detail	<ul style="list-style-type: none"> • Exterior: Contemporary • Interior: Traditional or Contemporary* <p>*Adding Contemporary or Traditional grids to the window will require Contemporary edge detail</p>

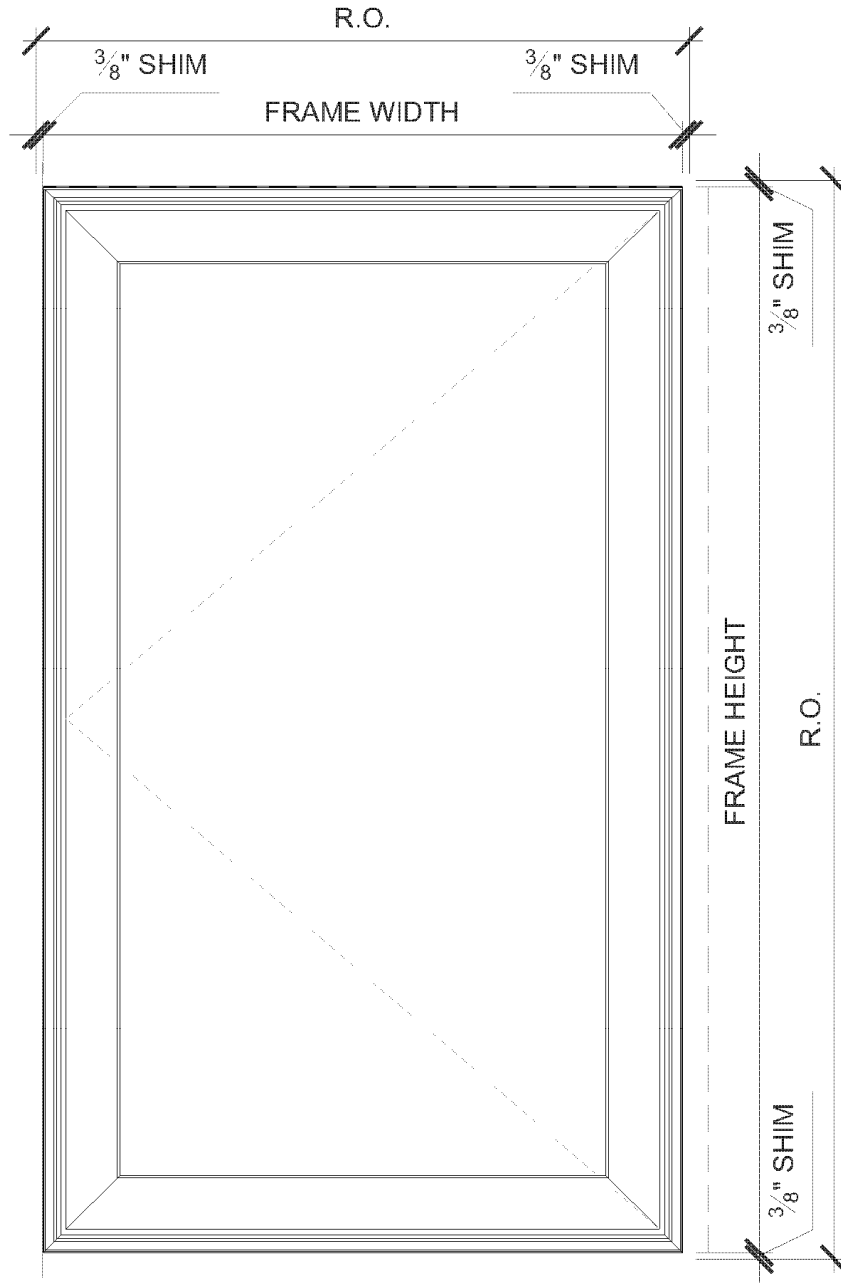
M-Series Push-Out Casement WA7000

(rev. 06.14.18)

Hardware Images

	
London Aluminum Handle (Standard)	Verona Bronze Handle (Upgrade Option)
<ul style="list-style-type: none">• Silver• Grey Brown• Traffic White	<ul style="list-style-type: none">• Polished Brass• Antique Brass• Brushed Chrome• Polished Chrome• Oil-Rubbed Brass• Pure White• Matte Black• Satin Nickel• Antique Nickel

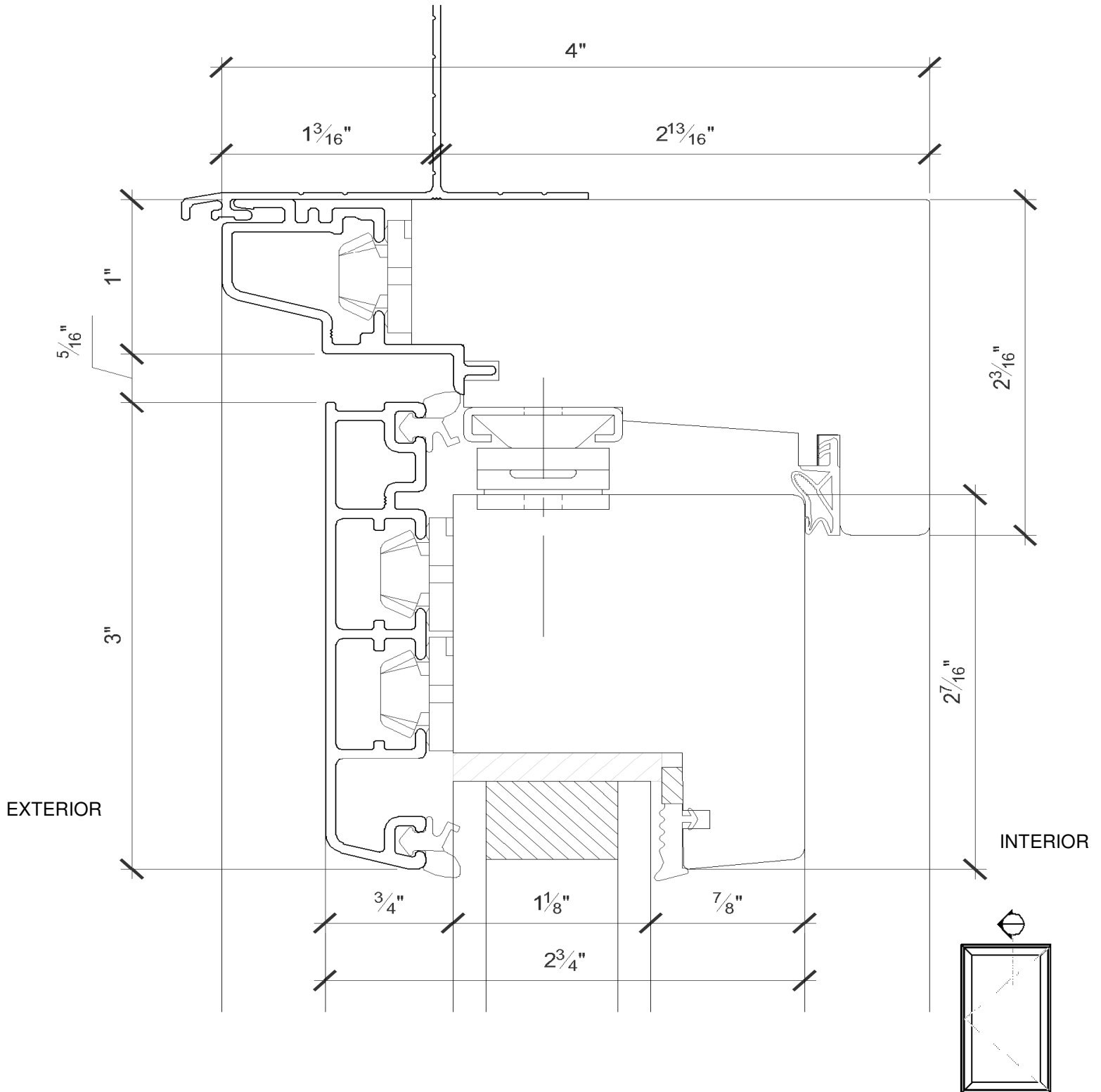
Exterior Elevation



M-Series Push-Out Casement WA7000

(rev. 06.14.18)

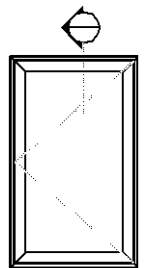
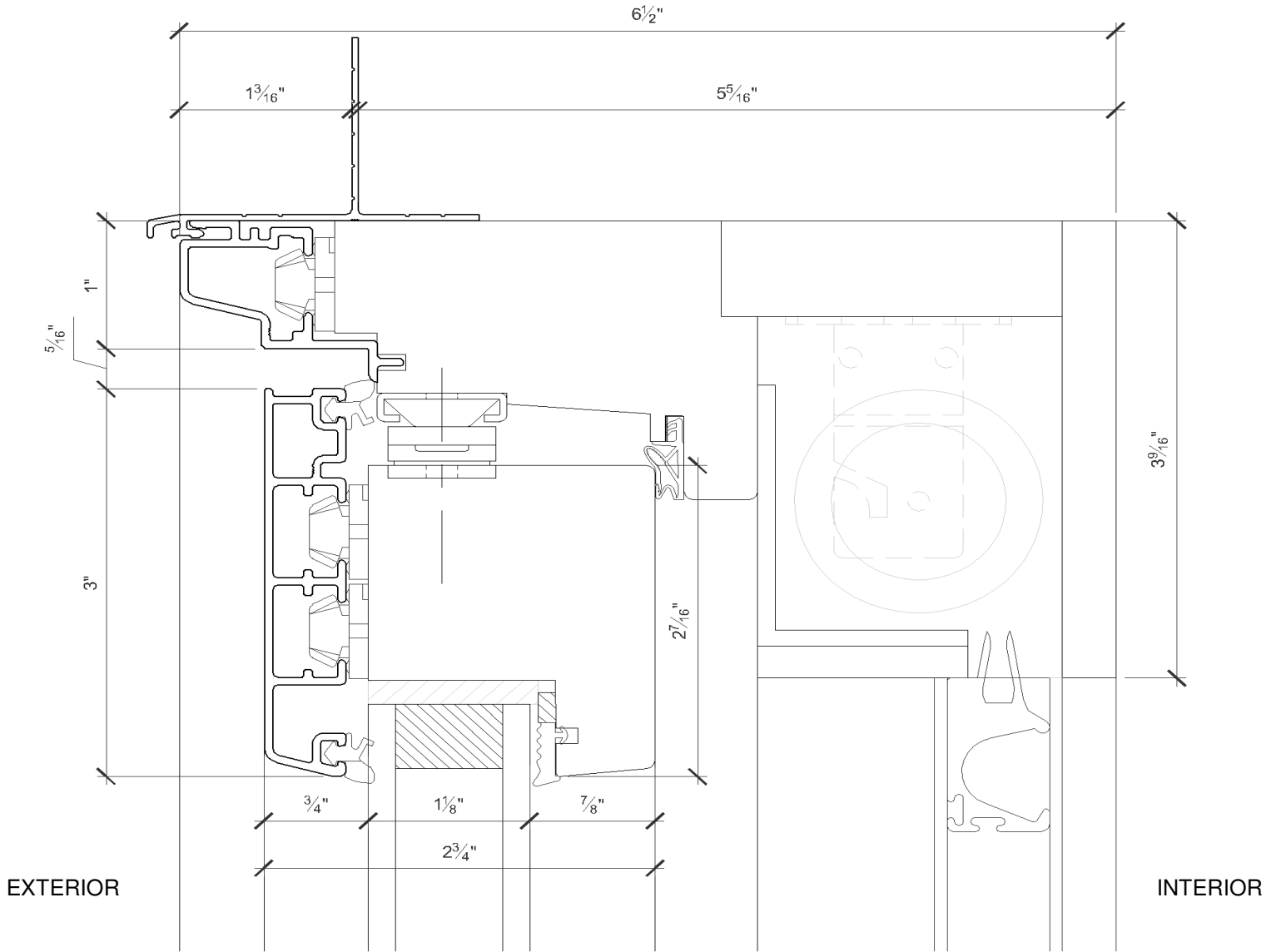
Head Detail



M-Series Push-Out Casement WA7000

(rev. 06.14.18)

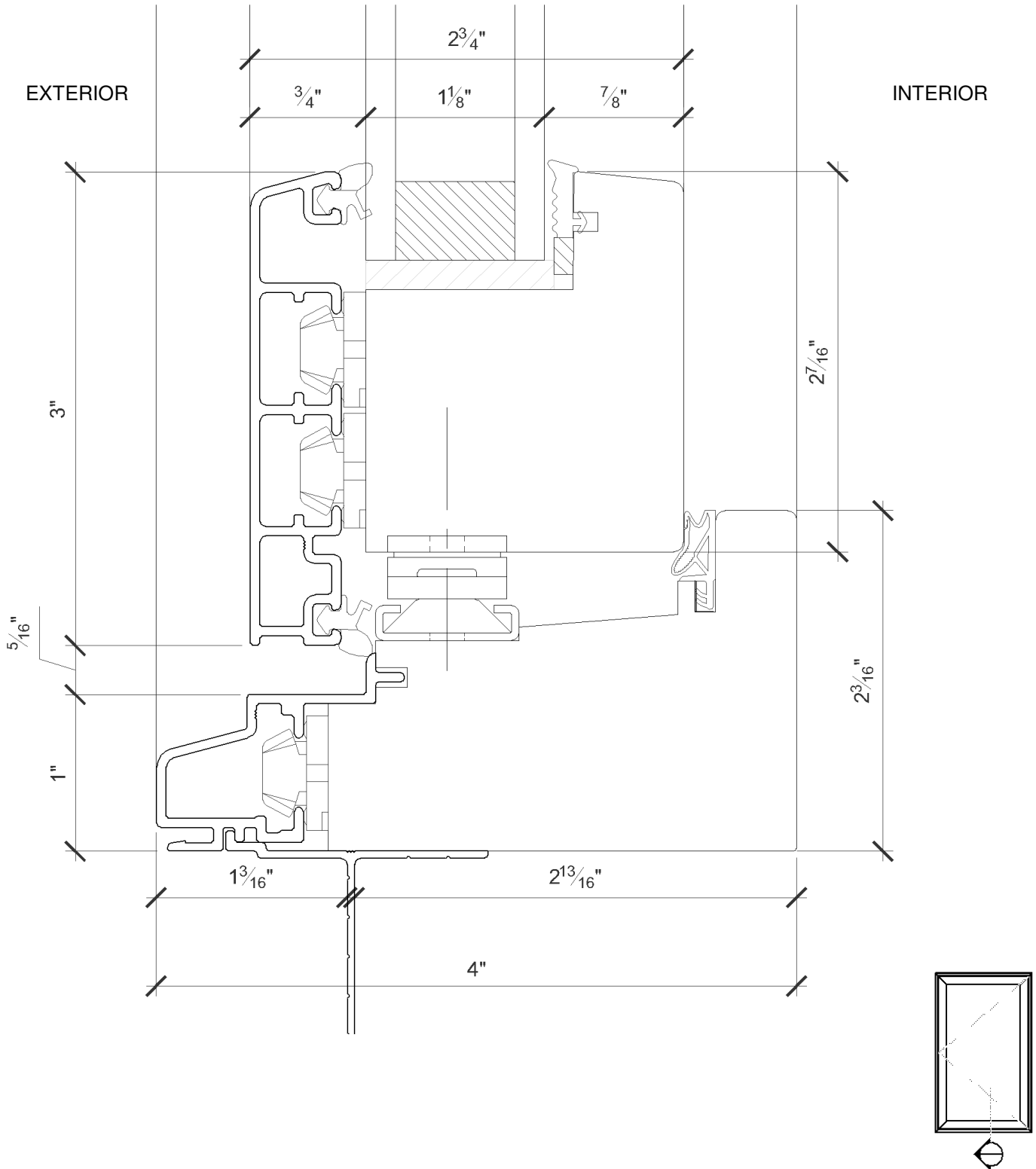
Head Detail (with Roll Screen)



M-Series Push-Out Casement WA7000

(rev. 06.14.18)

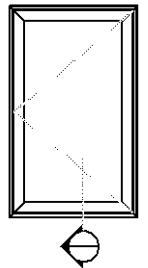
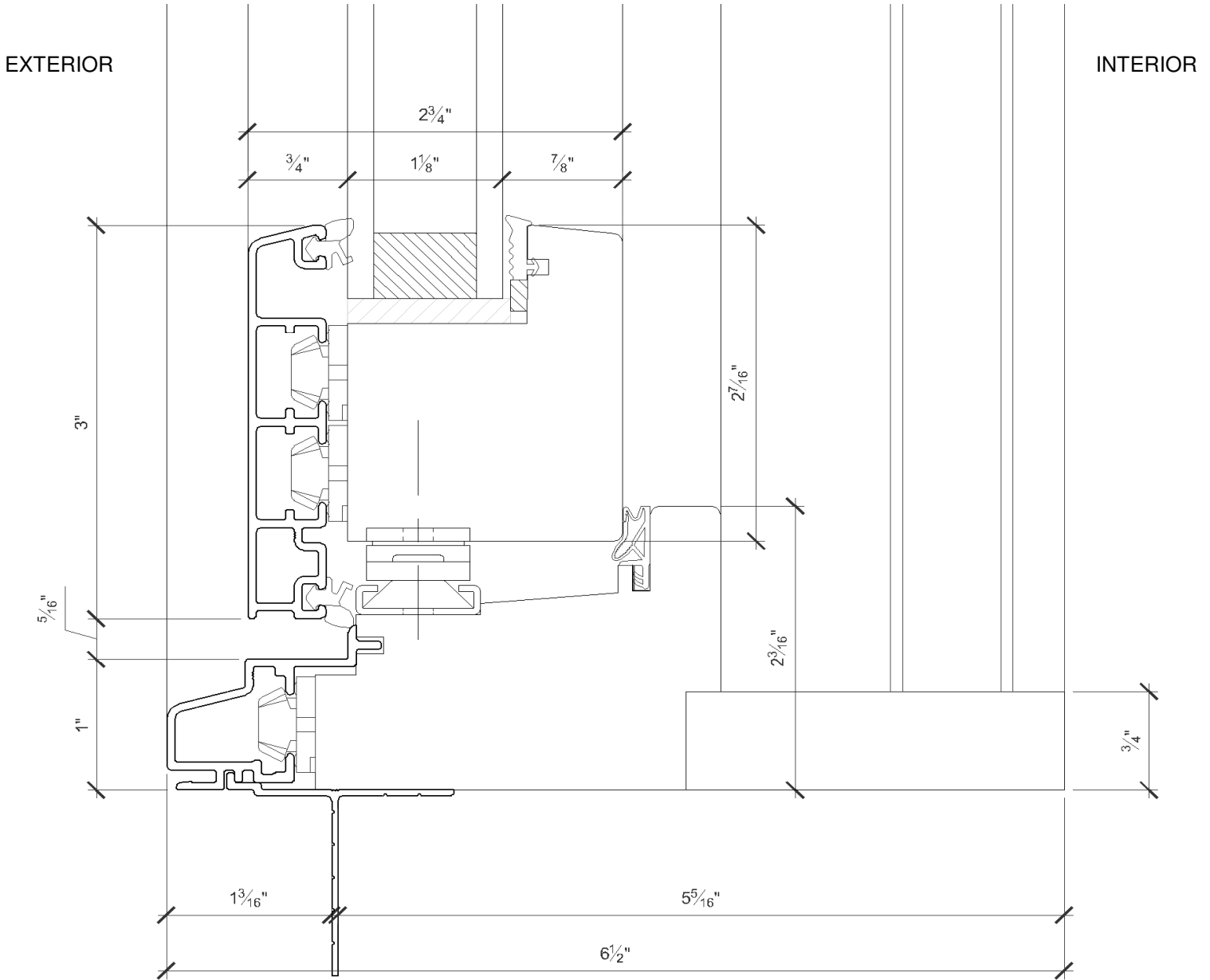
Sill Detail



M-Series Push-Out Casement WA7000

(rev. 06.14.18)

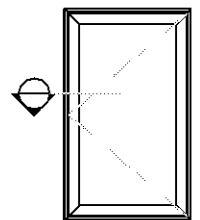
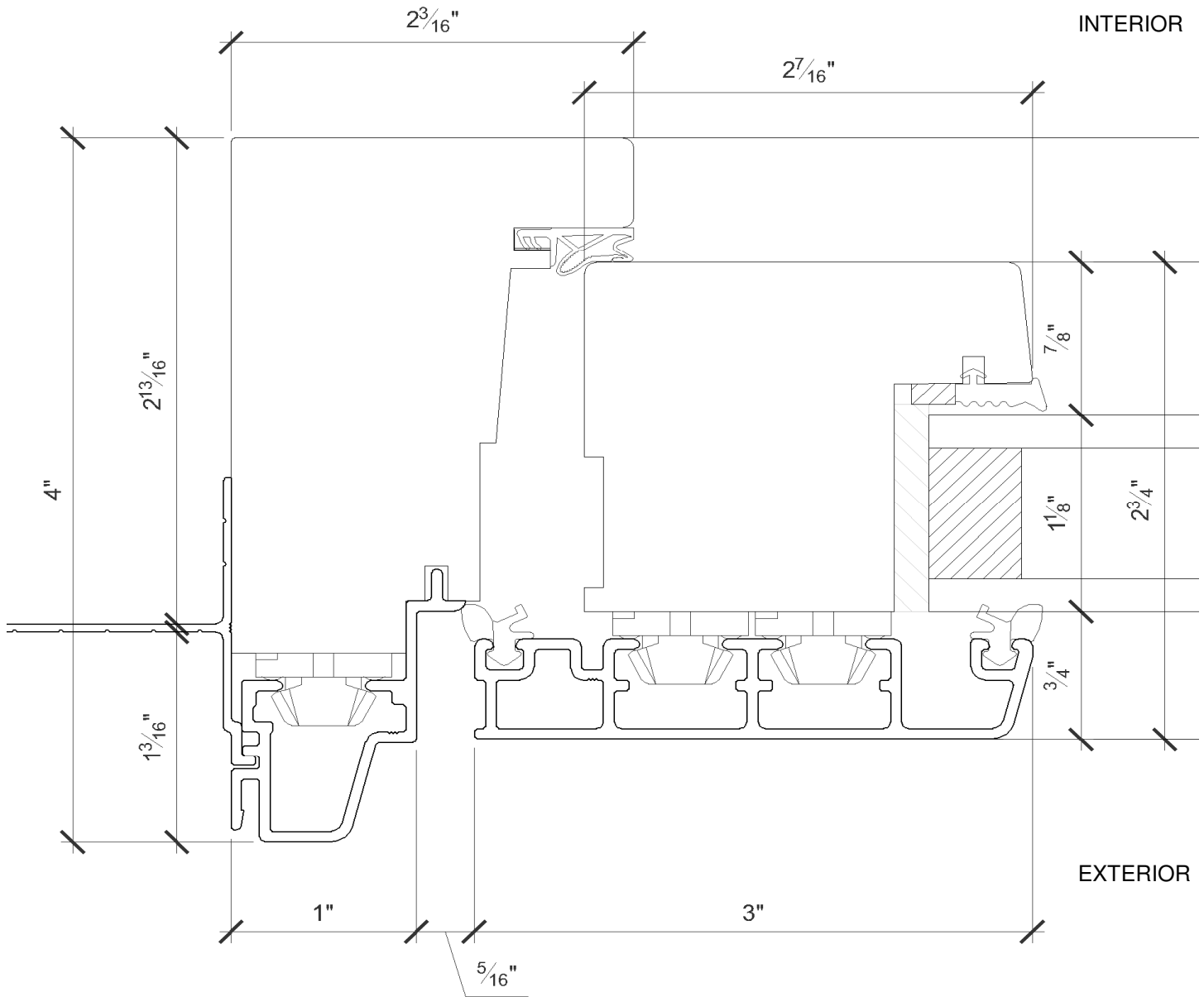
Sill Detail (with Roll Screen)



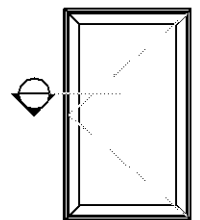
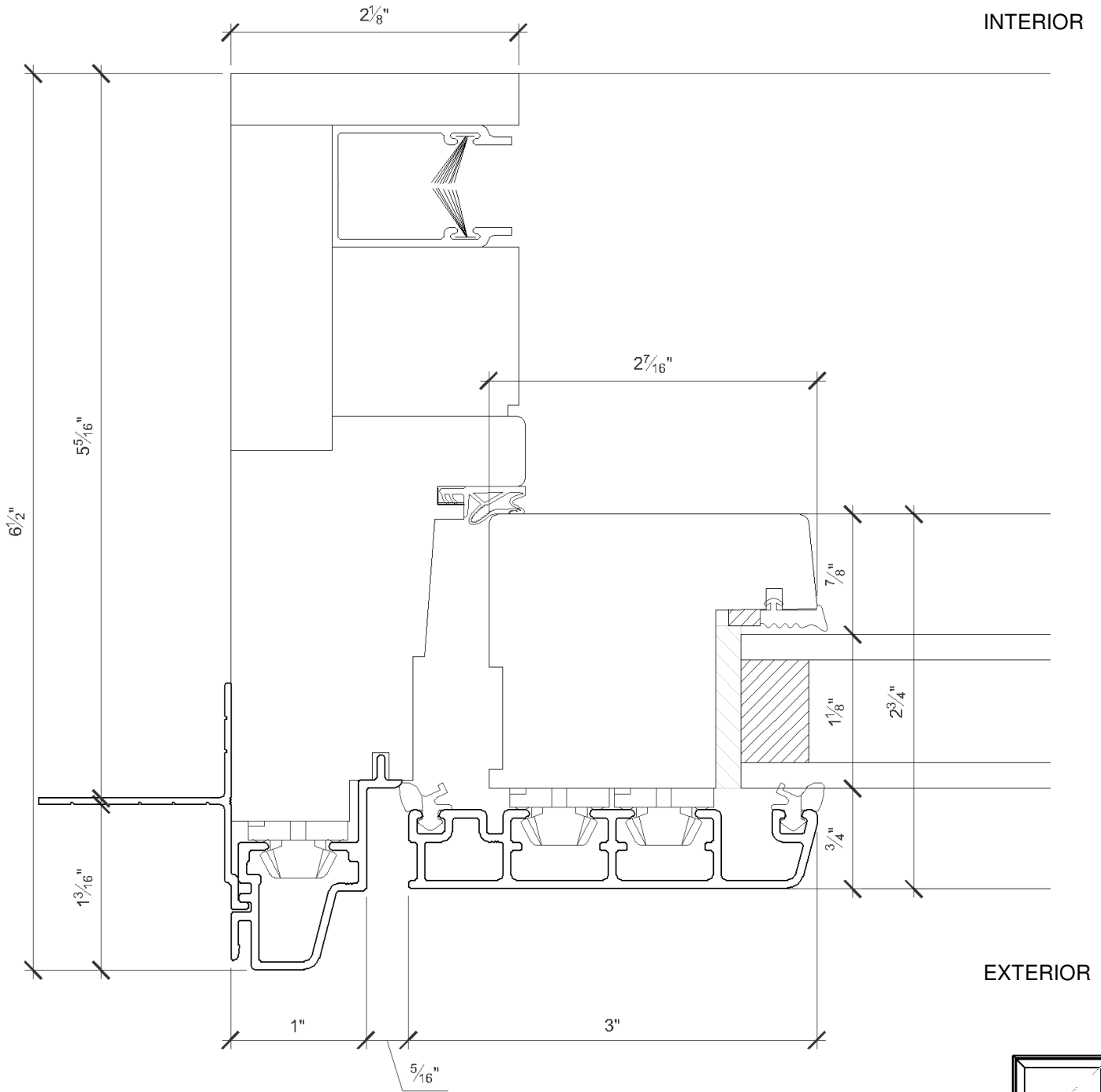
M-Series Push-Out Casement WA7000

(rev. 06.14.18)

Left Jamb Detail



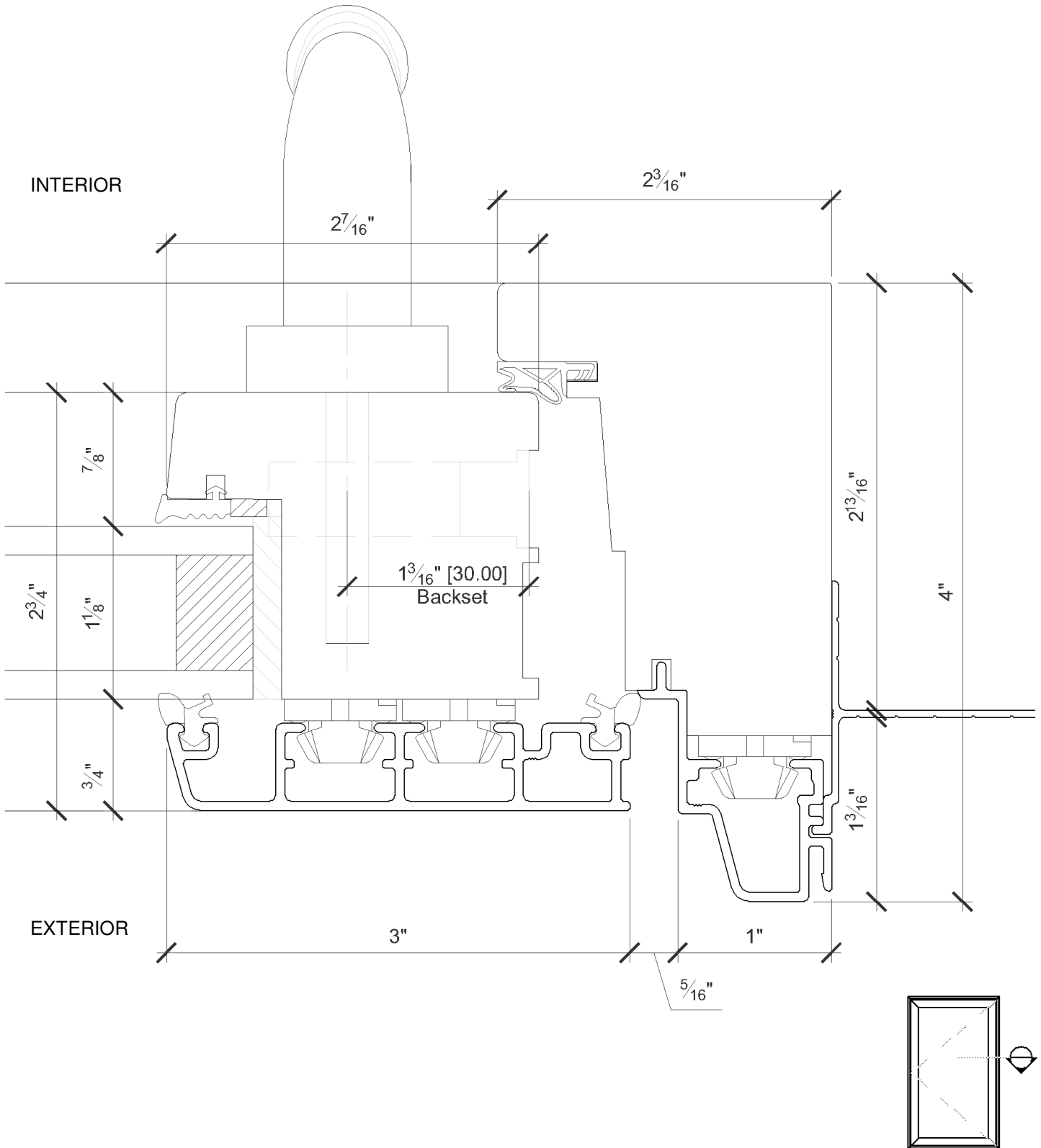
Left Jamb Detail (with Roll Screen)



M-Series Push-Out Casement WA7000

(rev. 06.14.18)

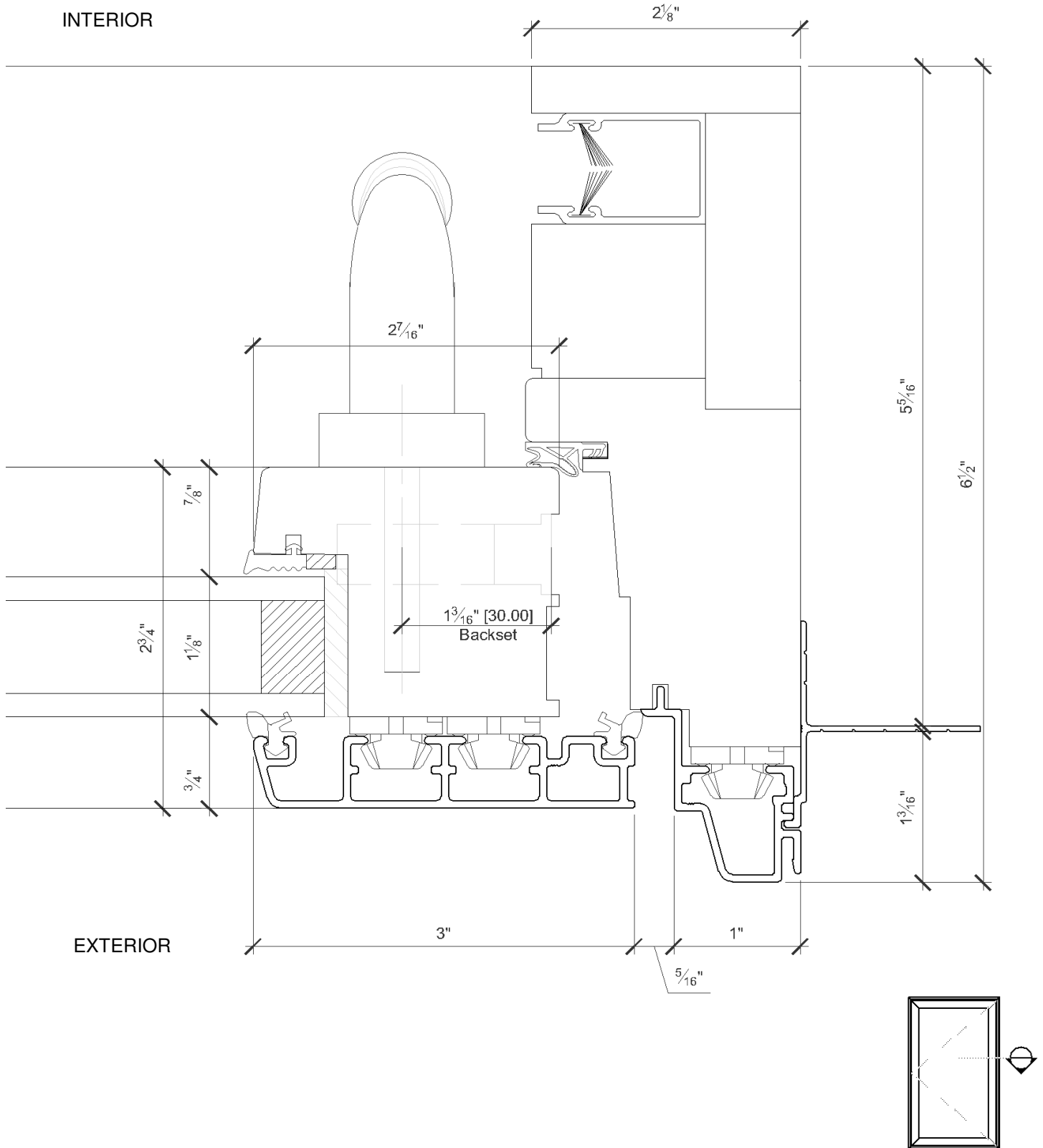
Right Jamb Detail



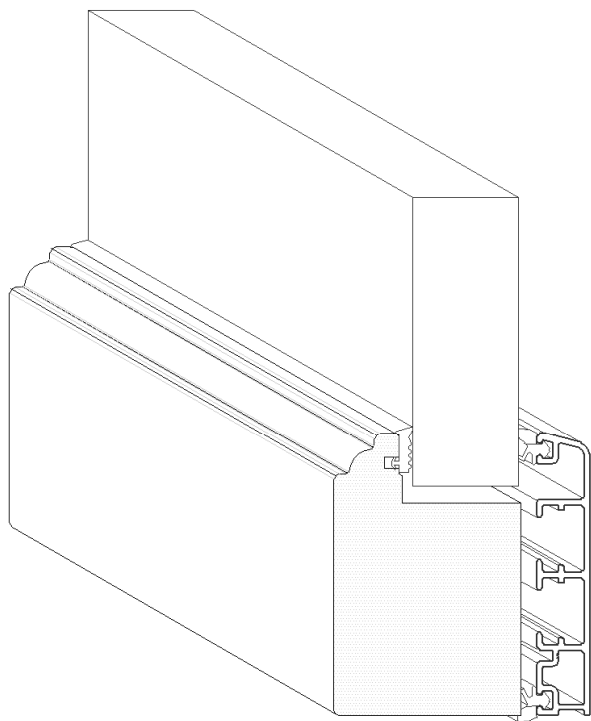
M-Series Push-Out Casement WA7000

(rev. 06.14.18)

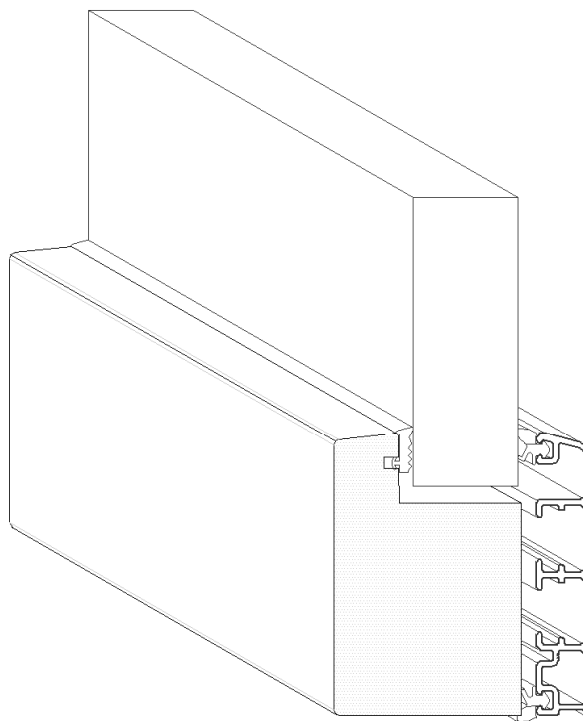
Right Jamb Detail (with Roll Screen)



Traditional Vs. Contemporary Stop Detail



TRADITIONAL



CONTEMPORARY

Contemporary SDL Detail

