



by PACIFIC ARCHITECTURAL MILLWORK

M-Series Crank-Out Casement WA7000

(rev. 06.14.18)

M-Series Crank-Out Casement WA7000

Section Contents

Section Contents	1
Product Overview	2
Introduction	2
Wood Species	2
Glazing Options	2
Other Options	2
Product Parameters	2
Hardware Images	3
Exterior Elevation	4
Head Detail	5
Head Detail (with Roll Screen)	6
Sill Detail	7
Sill Detail (with Roll Screen)	8
Left Jamb Detail	9
Left Jamb Detail (with Roll Screen)	10
Right Jamb Detail	11
Right Jamb Detail (with Roll Screen)	12
Traditional Vs. Contemporary Stop Detail	13
Contemporary SDL Detail	14

Product Overview



French casement configuration shown

Introduction

The M-Series Crank-Out Casement WA7000 (wood with exterior aluminum cladding) is hinged on the side and opens outward by rotating a handle located on the lower frame, making operation especially convenient in locations where a push-out system is not practical, such as over a kitchen or bar counter. The gears of the crank-out hardware keep the sash in a fixed position while open for improved safety and security, and the multipoint lock holds the sash tightly to the frame when closed for excellent weather performance. The handle can be folded so that it is less obtrusive and will not interfere with window treatments.

The extruded aluminum cladding minimizes exterior window maintenance in a variety of finishes, including custom color-matched Kynar™ (suitable for harsh coastal environments) and clear- or bronze-anodized. A fixed exterior screen is also available to keep out unwanted insects and pests.

Wood Species

Our standard wood species are the following:



The mark of responsible forestry

- Pine
- Vertical Grain Douglas Fir
- African Mahogany

Ask for FSC®-certified products. Alternative and exotic wood species are also available.

Glazing Options

Standard glazing for the M-Series Crank-Out Casement WA7000 is 1 1/8" overall insulated glass.

Custom glazing and tinted glass are available.

Other Options

The M-Series Crank-Out Casement WA7000 can be purchased with additional options such as fixed exterior screen and rollscreens, jamb extensions, egress hinges and/or divided lites. It can also be mulled to a variety of other Reveal products for consistency of sightlines and design.

Contact Reveal Windows & Doors for additional options and customization.

Product Parameters

Min Frame Height	14"
Max Frame Height	92"
Min Frame Width	14"
Max Frame Width	42"
Stile Width	3"
Min Jamb Depth	6 1/2" (from back of nailing fin)
Sash Thickness	2-3/4"
Edge Detail	<ul style="list-style-type: none"> • Exterior: Contemporary • Interior: Traditional or Contemporary* <p>*Adding Contemporary or Traditional grids to the window will require Contemporary edge detail</p>

M-Series Crank-Out Casement WA7000

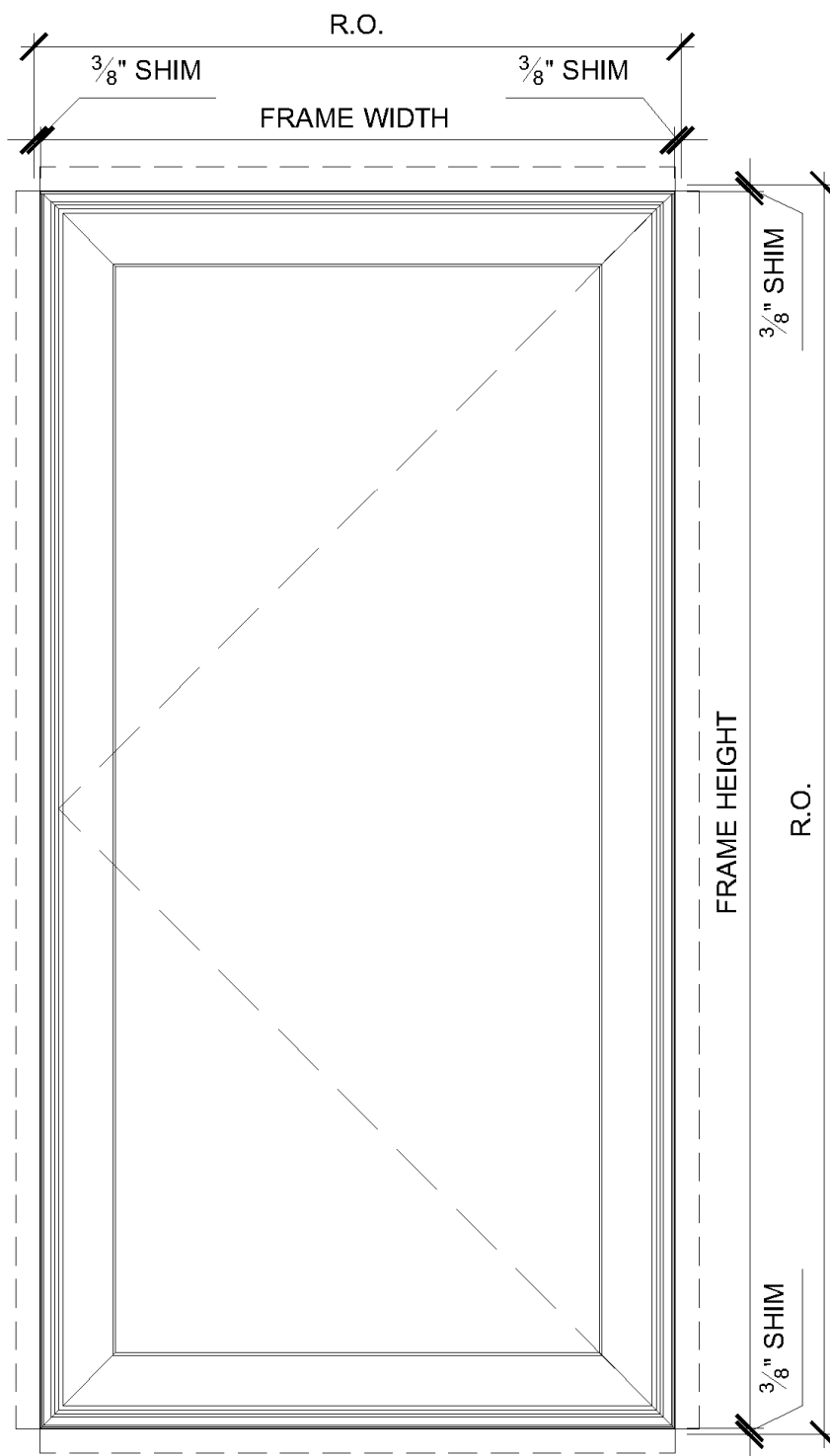
(rev. 06.14.18)

Hardware Images

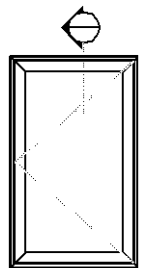
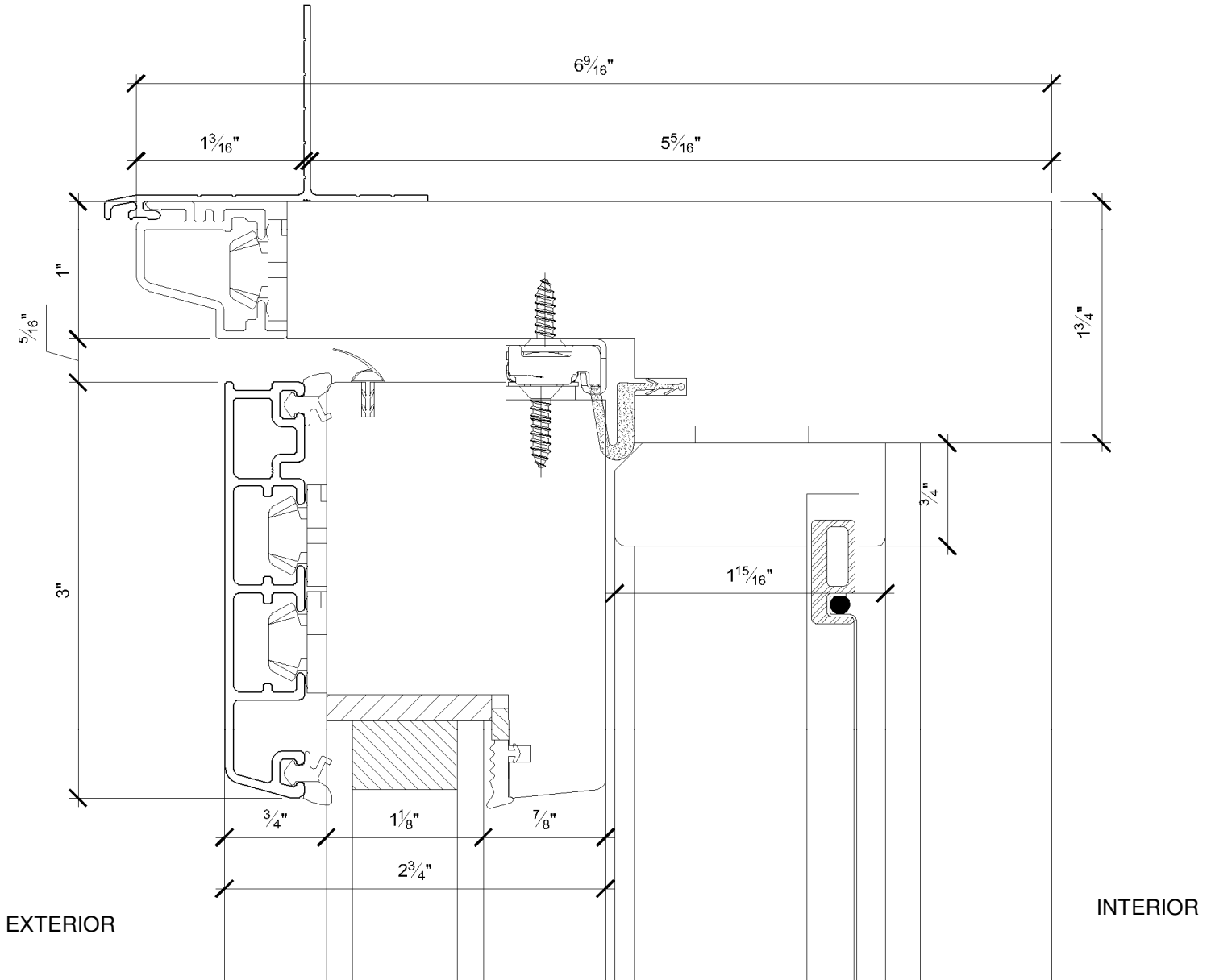


Custom hardware and handles are also available.

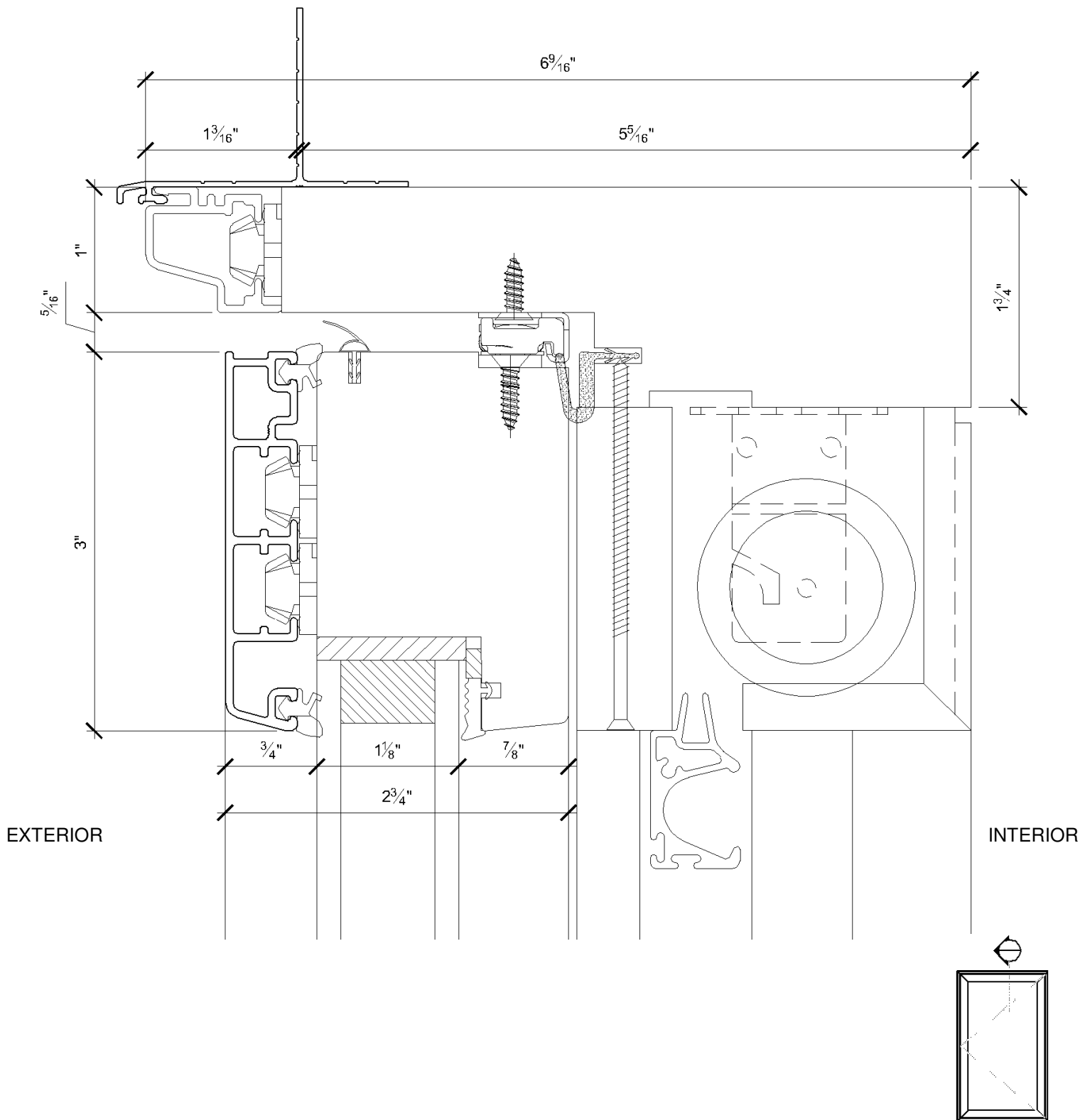
Exterior Elevation



Head Detail



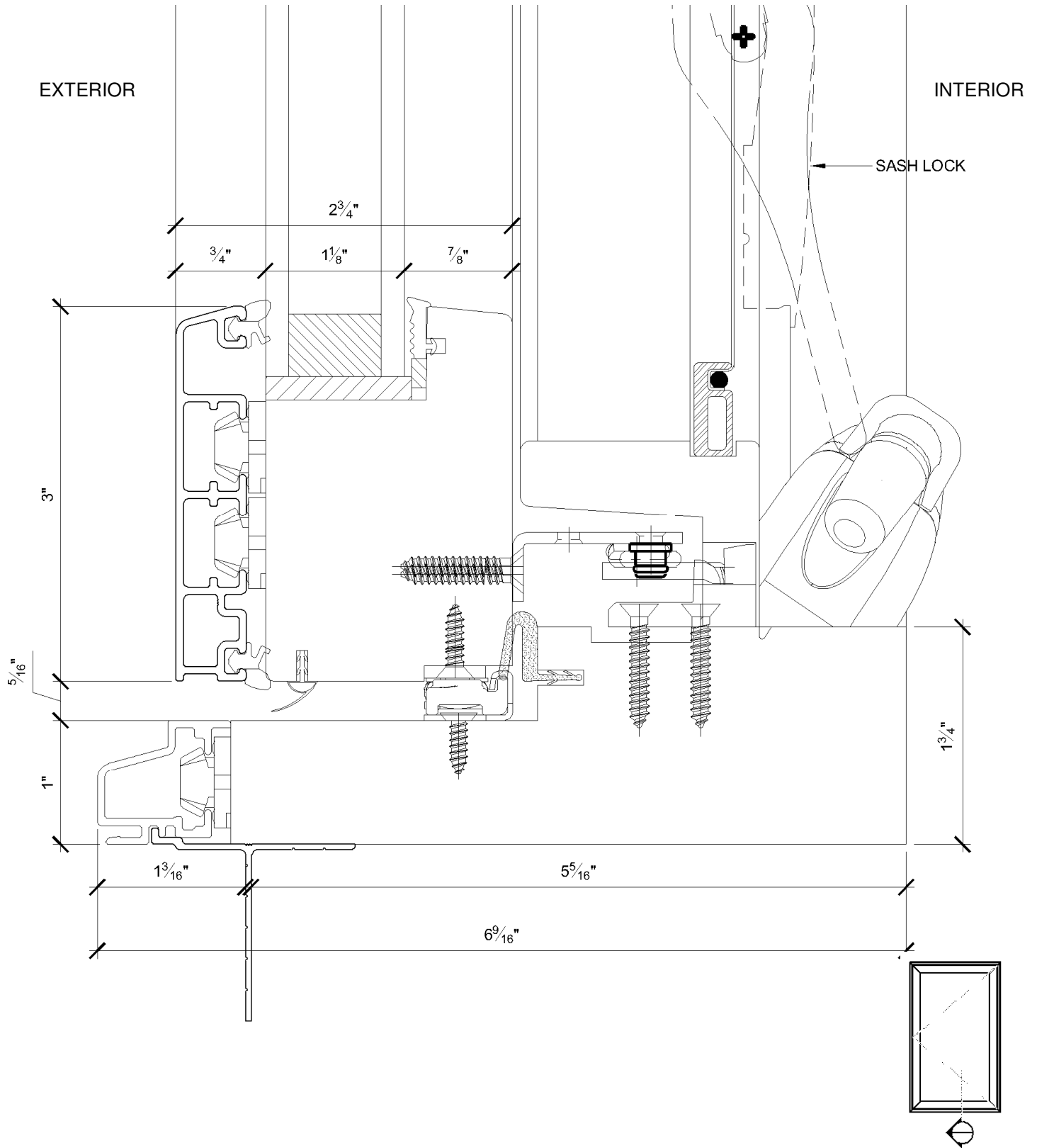
Head Detail (with Roll Screen)



M-Series Crank-Out Casement WA7000

(rev. 06.14.18)

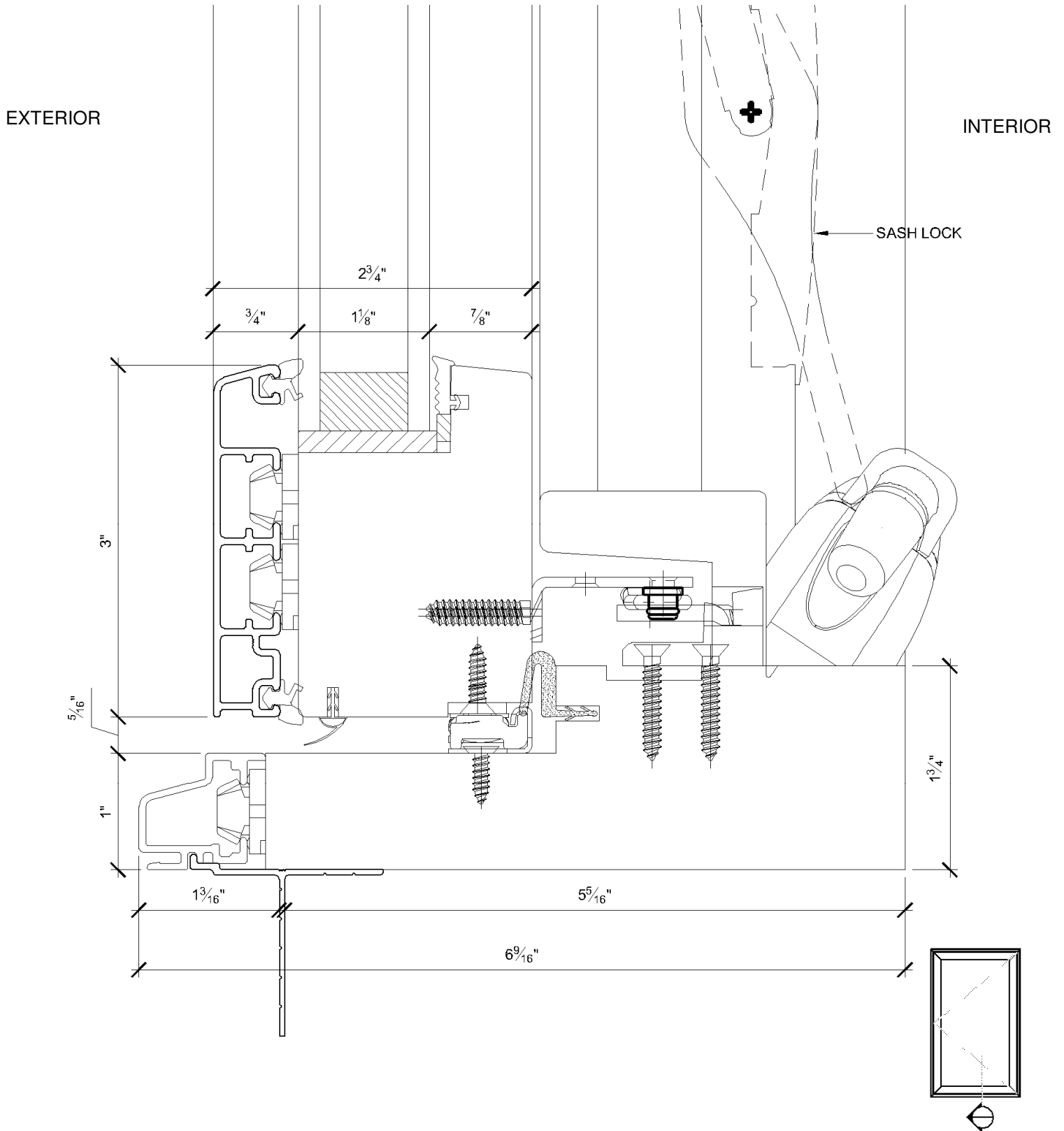
Sill Detail



M-Series Crank-Out Casement WA7000

(rev. 06.14.18)

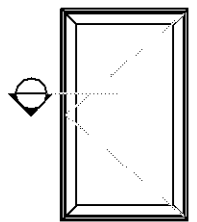
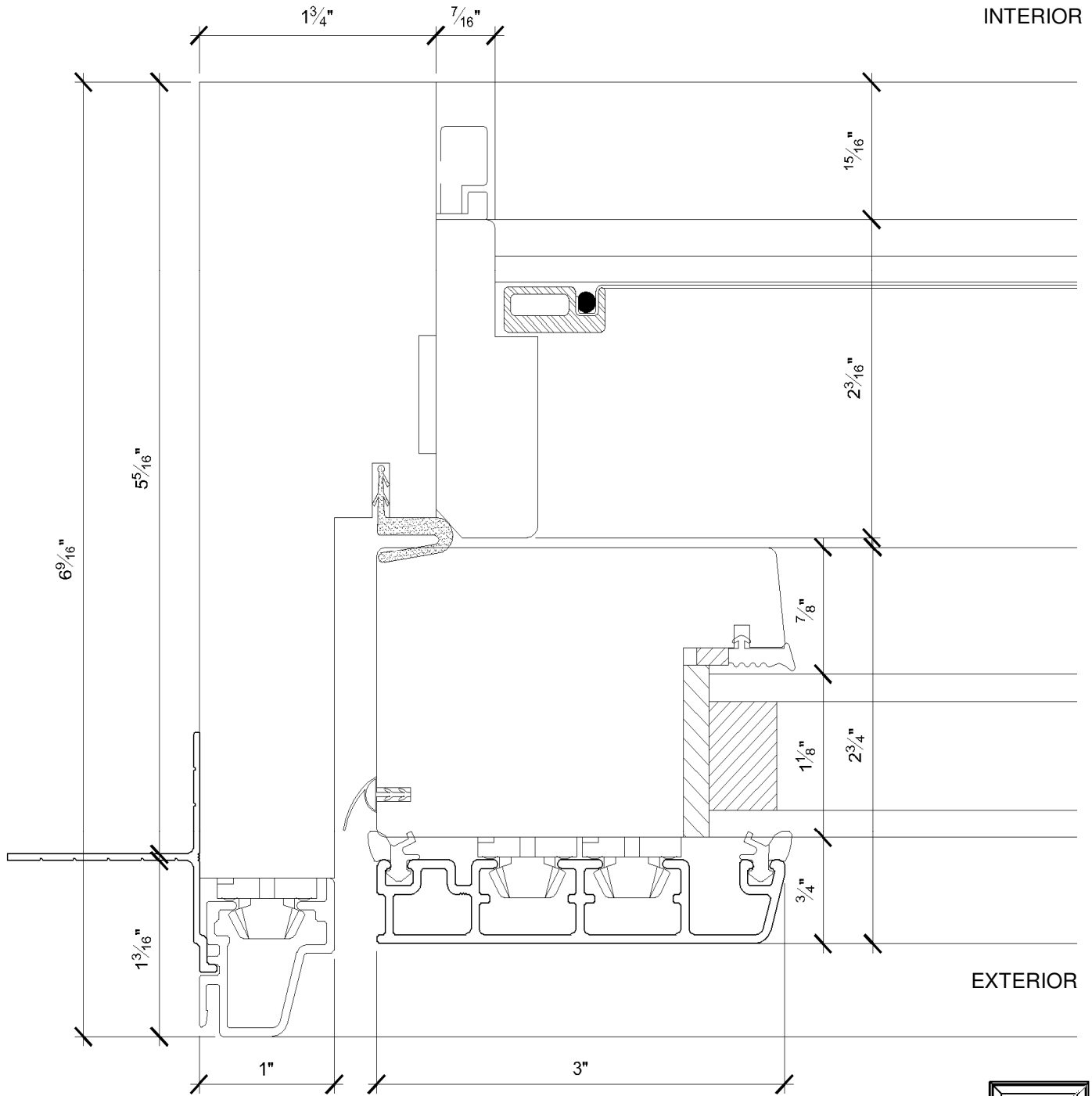
Sill Detail (with Roll Screen)



M-Series Crank-Out Casement WA7000

(rev. 06.14.18)

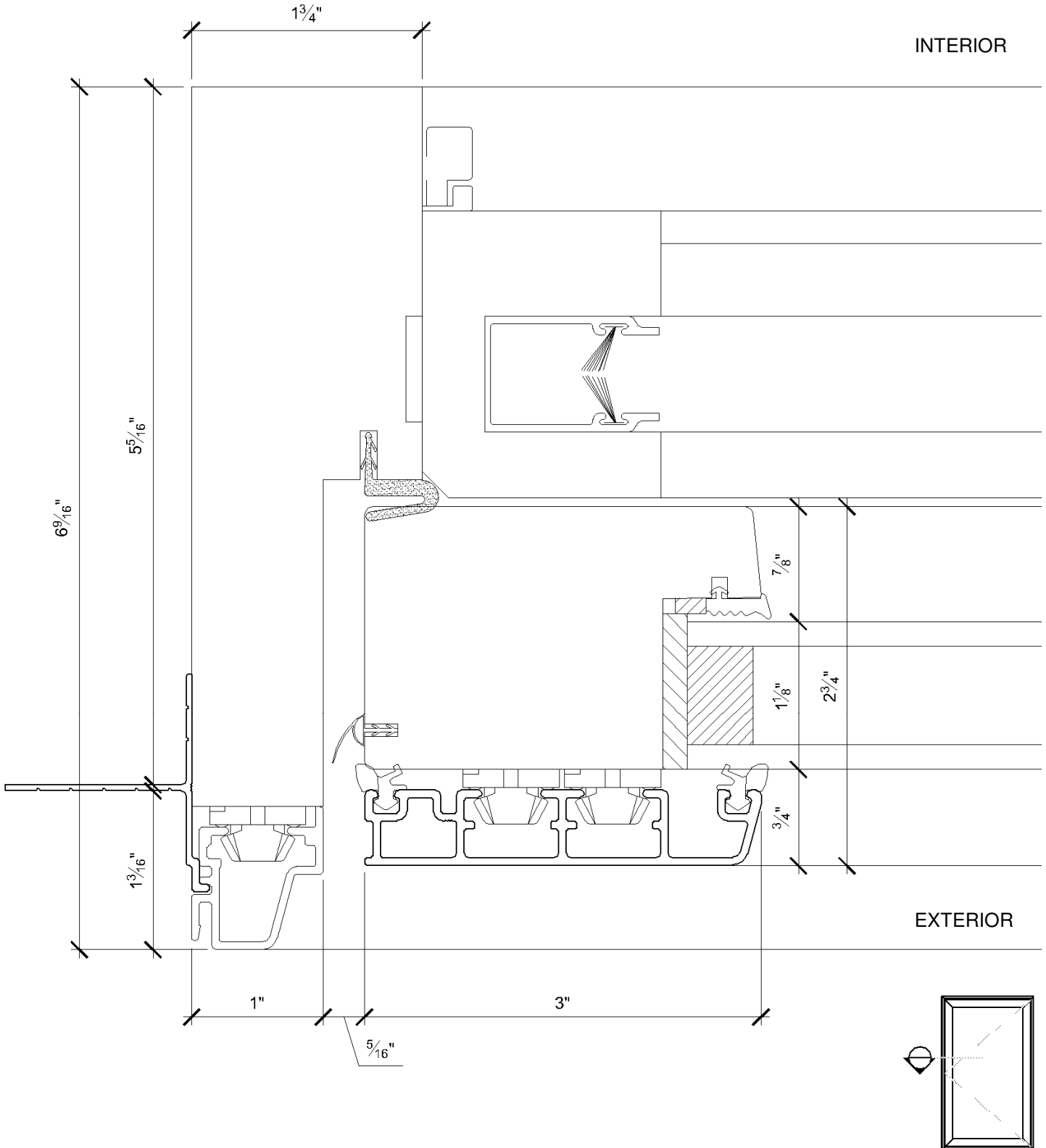
Left Jamb Detail



M-Series Crank-Out Casement WA7000

(rev. 06.14.18)

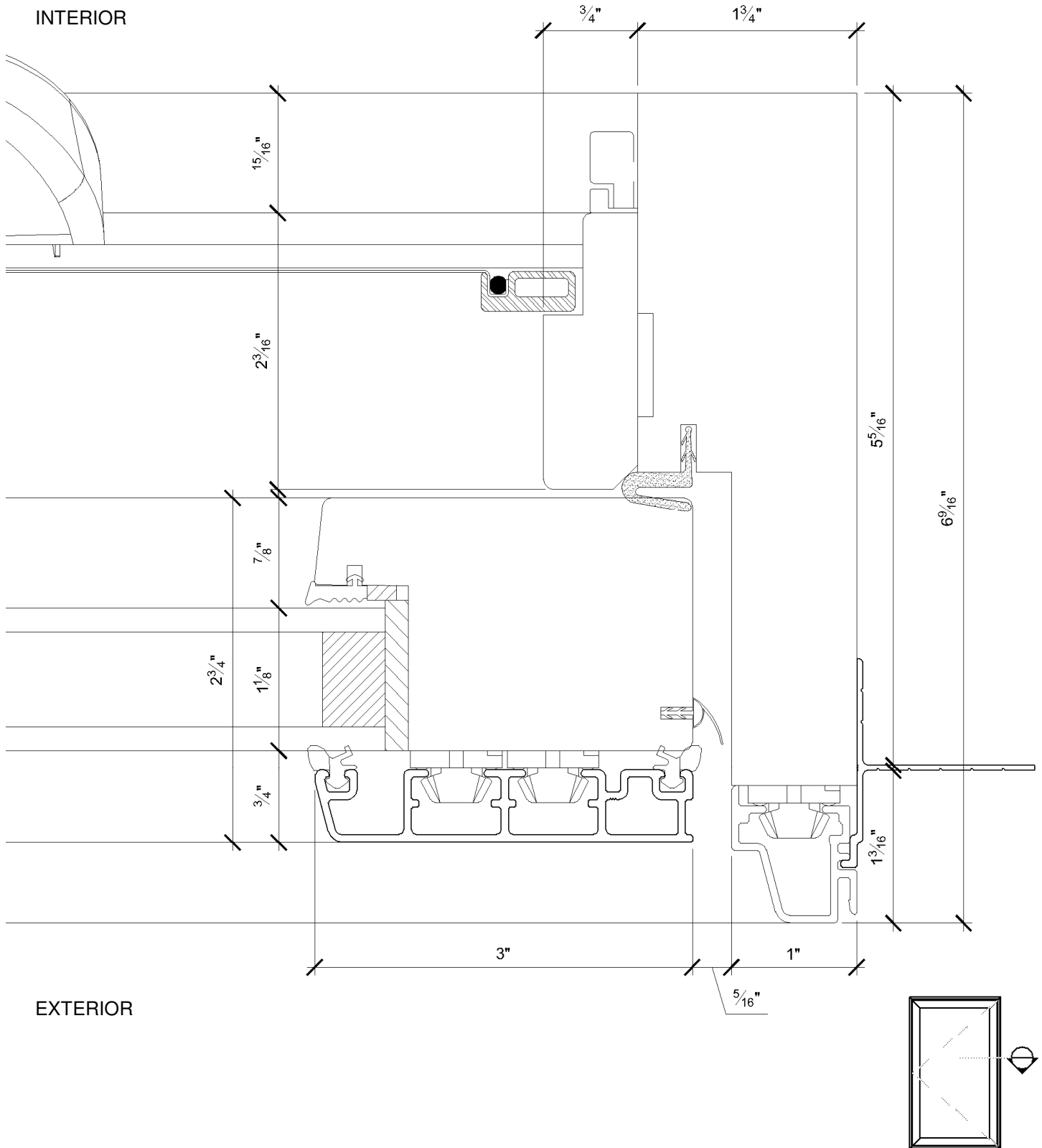
Left Jamb Detail (with Roll Screen)



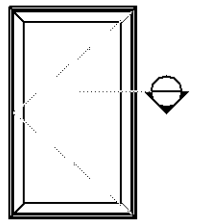
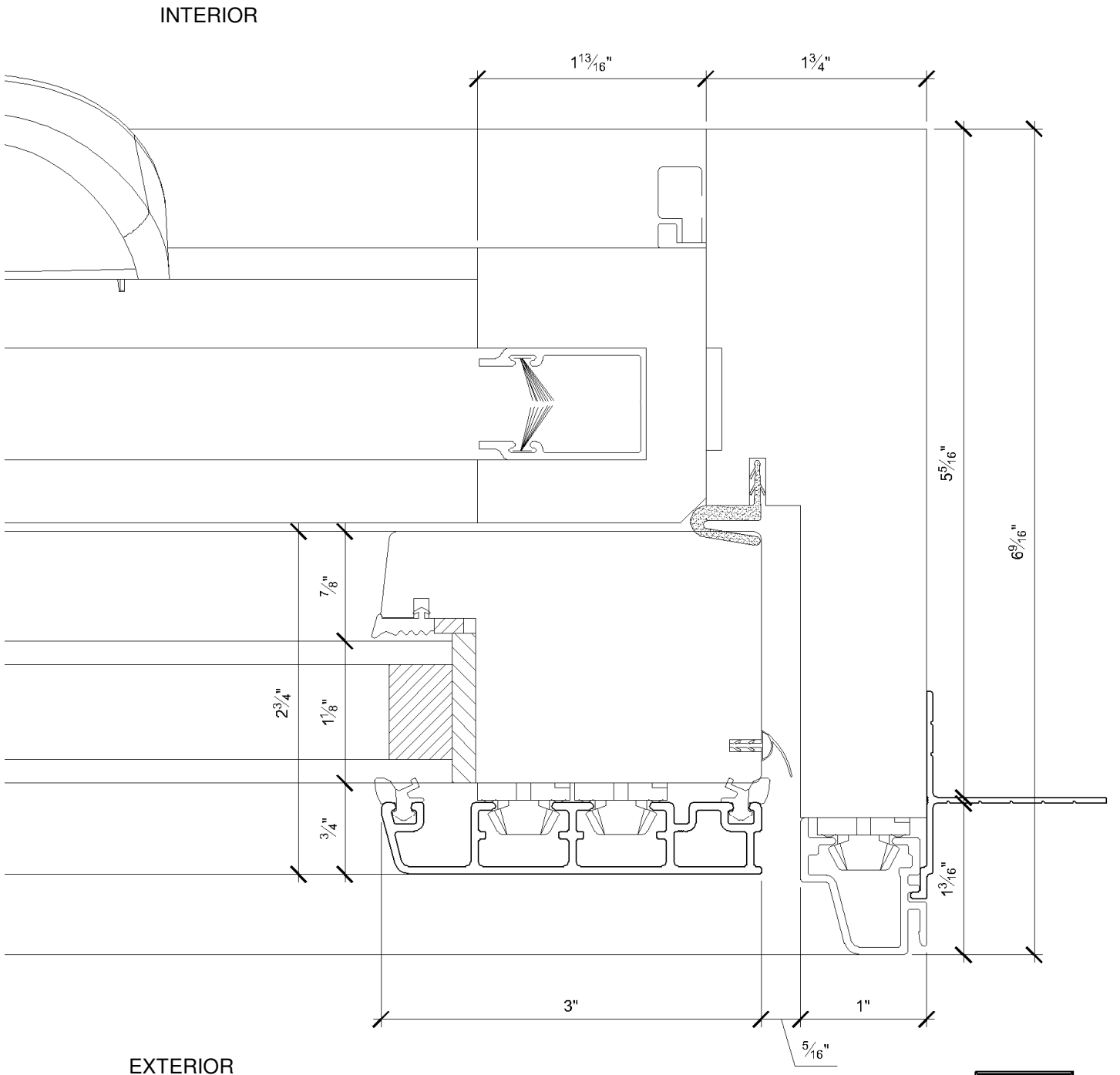
M-Series Crank-Out Casement WA7000

(rev. 06.14.18)

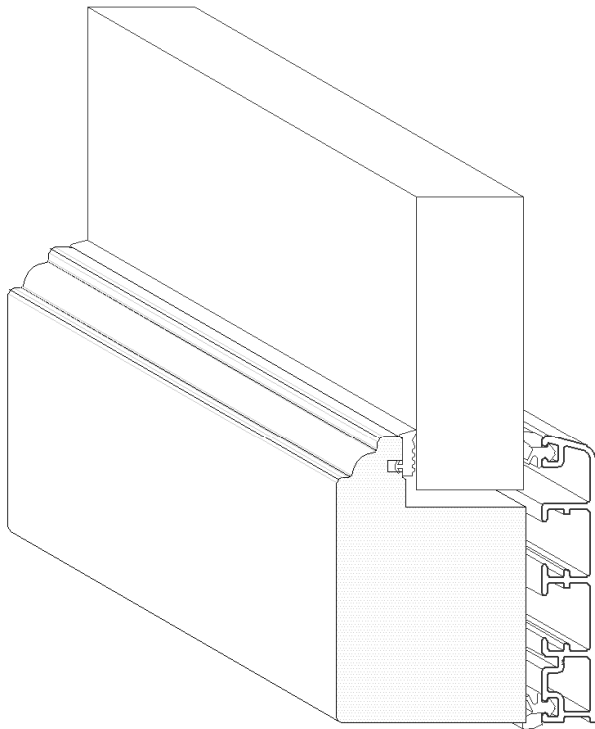
Right Jamb Detail



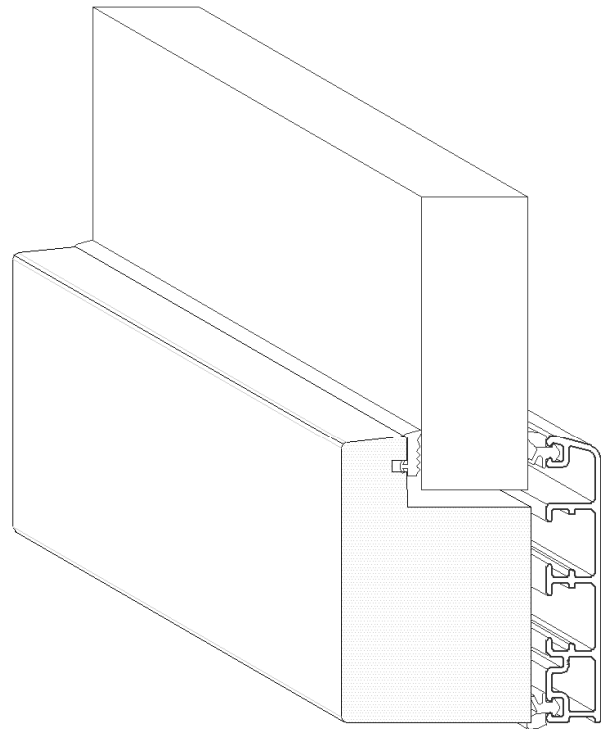
Right Jamb Detail (with Roll Screen)



Traditional Vs. Contemporary Stop Detail



TRADITIONAL



CONTEMPORARY

Contemporary SDL Detail

