



*by* PACIFIC ARCHITECTURAL MILLWORK

# Hinged Outswing Door W5700

(rev. 02.06.18)

# Hinged Outswing Door W5700

## Section Contents

Product Overview .....	3
Introduction .....	3
Hardware Options .....	3
Glazing Options .....	3
Wood Species .....	3
Other Options.....	3
Product Parameters .....	3
Hardware Images .....	3
Single Out-Swing Door Elevation .....	4
Double Out-Swing Door Elevation .....	5
Single Out-Swing: Plan Section .....	6
Double Out-Swing: Plan Section .....	7
Out-Swing: Vertical Section .....	8
Out-Swing: Head Detail.....	9
Out-Swing: Sill Detail.....	10
Out-Swing: Left Jamb Detail.....	11
Out-Swing: Right Jamb Detail .....	12
Out-Swing: Meeting Detail.....	13

# Hinged Outswing Door W5700

(rev. 02.06.18)

## Product Overview



### Introduction

Elegance, durability and quality characterize the Reveal Windows & Doors Single Hinged Door W5700 (all wood). This stile-and-rail hinged door is available in either in-swing or out-swing configuration. Each door is precision engineered and built by master craftsmen, resulting in superior performance and beauty that you can see and feel.

The center panel can be made of wood or glass, and customized with decorative glazing, grille patterns, or one or more mid-rails. We can help you achieve any look you desire, from Old World rustic to sleek contemporary. Hinged doors are also available with hinged wood-framed screens to allow air circulation and prevent unwanted pests.

### Hardware Options

Doors are pre-hung on brass hinges, in either Oil-Rubbed Bronze or Satin Nickel finish.

Multipoint locks and standard handle sets are available, or specify your own finish hardware to complement your design.

### Glazing Options

Standard glazing for the glass door panel is 3/4" overall tempered insulated glass. Custom glazing, tinted glass, wood flat panels, and wood raised panels are also available.

We offer two different standard glass stops/edge details:

- Contemporary (Square)
- Traditional (Ovolo)

See the General Info section for more details.

### Wood Species



Our standard wood species are the following:

- Pine
- Vertical Grain Douglas Fir
- African Mahogany

Alternative and exotic wood species are also available. See the Wood Species page in the General Info section.



### Other Options

The wood hinged door is available with optional pre-finishing, custom grille patterns, and raised wood panels. Contact Reveal Windows & Doors for additional options and customization.

### Product Parameters

<b>Max Frame Height</b>	120"
<b>Max Frame Width</b>	48"
<b>Min Frame Height</b>	66"
<b>Min Frame Width</b>	22"
<b>Panel Thickness</b>	2-1/4"
<b>Standard Stile Width</b>	5-1/2"
<b>Standard Jamb Depth</b>	Out-Swing: 4-9/16" In-Swing: 4-9/16"

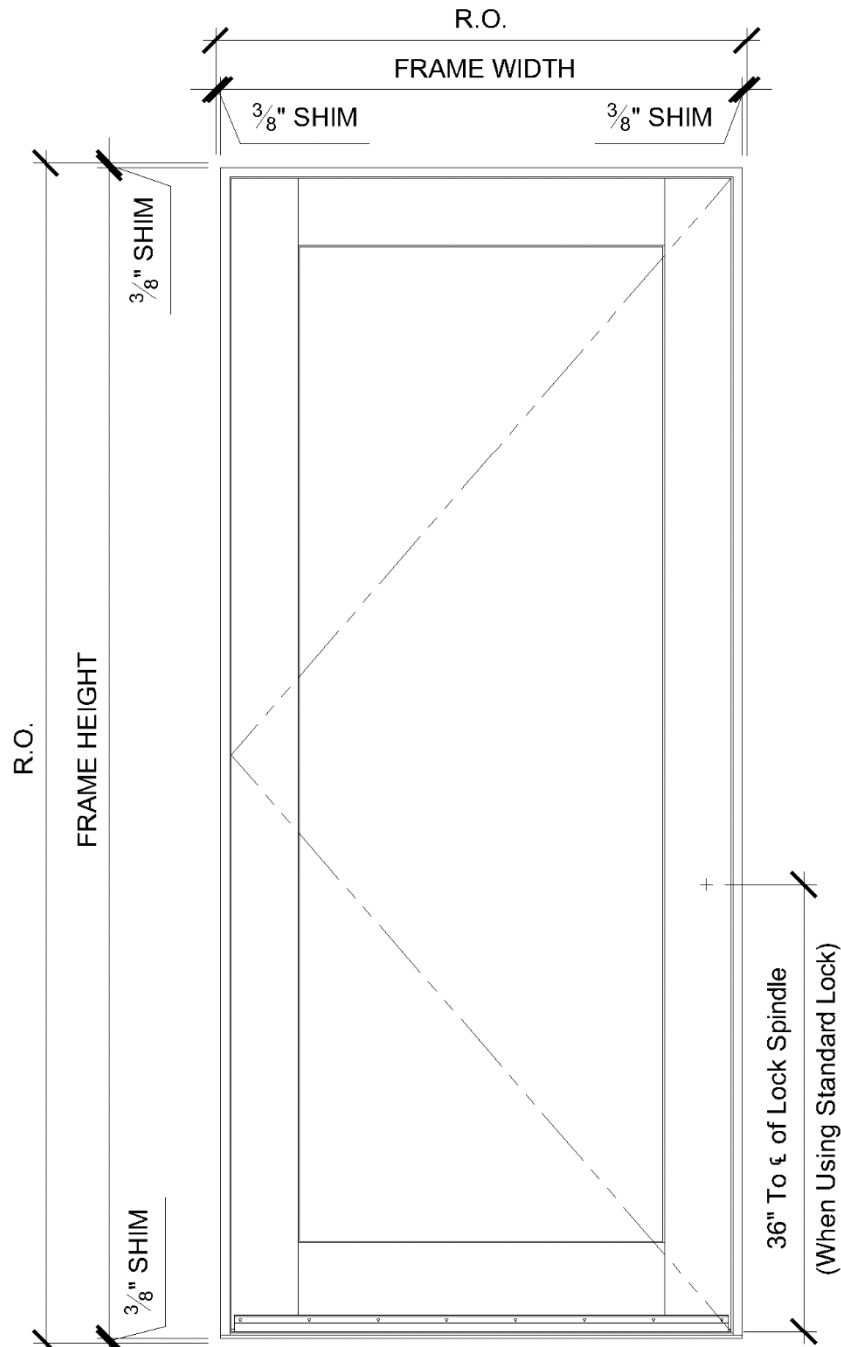
### Hardware Images

	
<b>London Handle</b> (Standard)	<b>Verona Handle</b> (Optional)
<ul style="list-style-type: none"> <li>• Silver</li> <li>• Grey Brown</li> <li>• Traffic White</li> </ul>	<ul style="list-style-type: none"> <li>• Resista Brass</li> <li>• Oil-Rubbed Brass</li> <li>• Satin Nickel</li> </ul>

# Hinged Outswing Door W5700

(rev. 02.06.18)

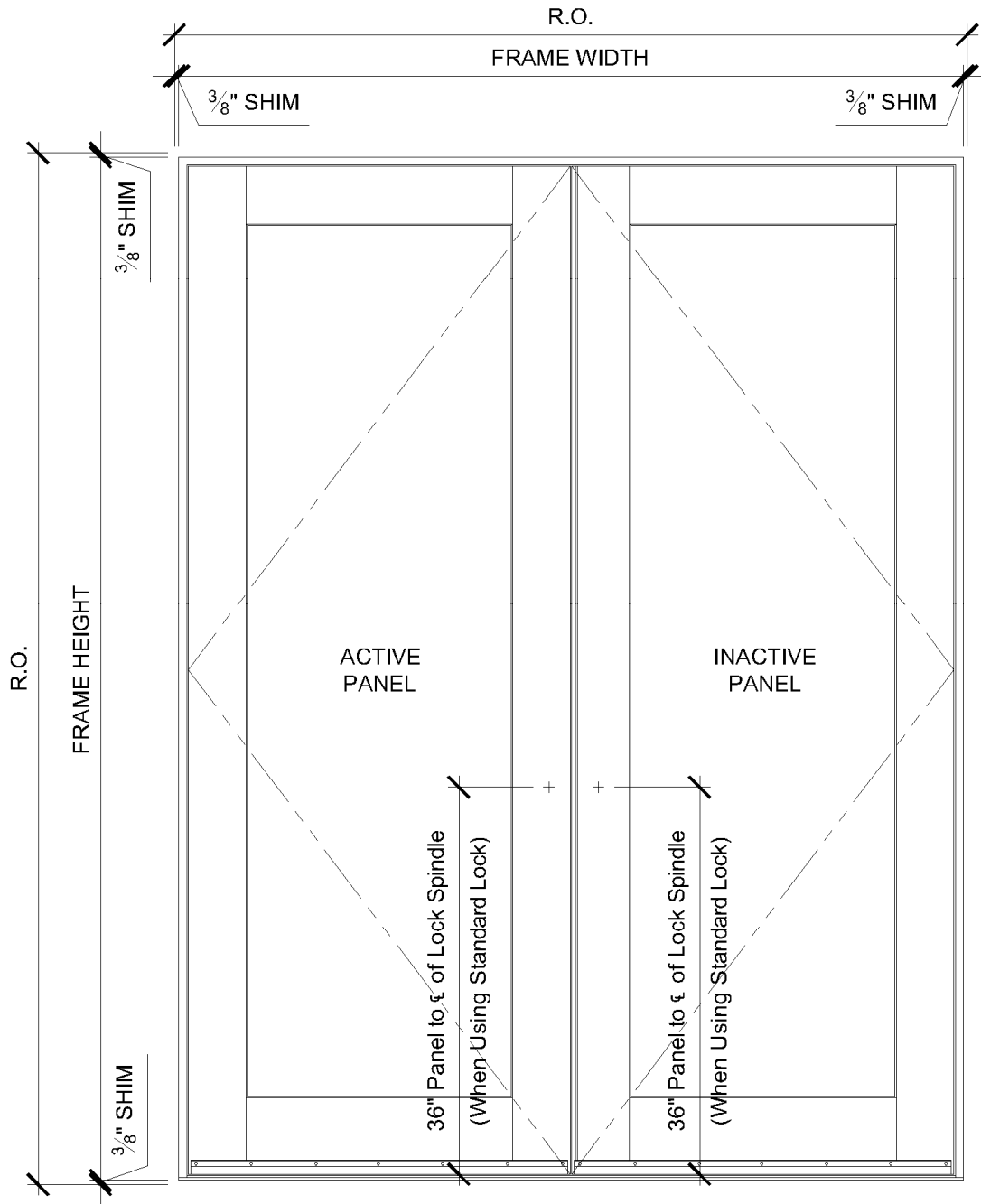
## Single Out-Swing Door Elevation



# Hinged Outswing Door W5700

(rev. 02.06.18)

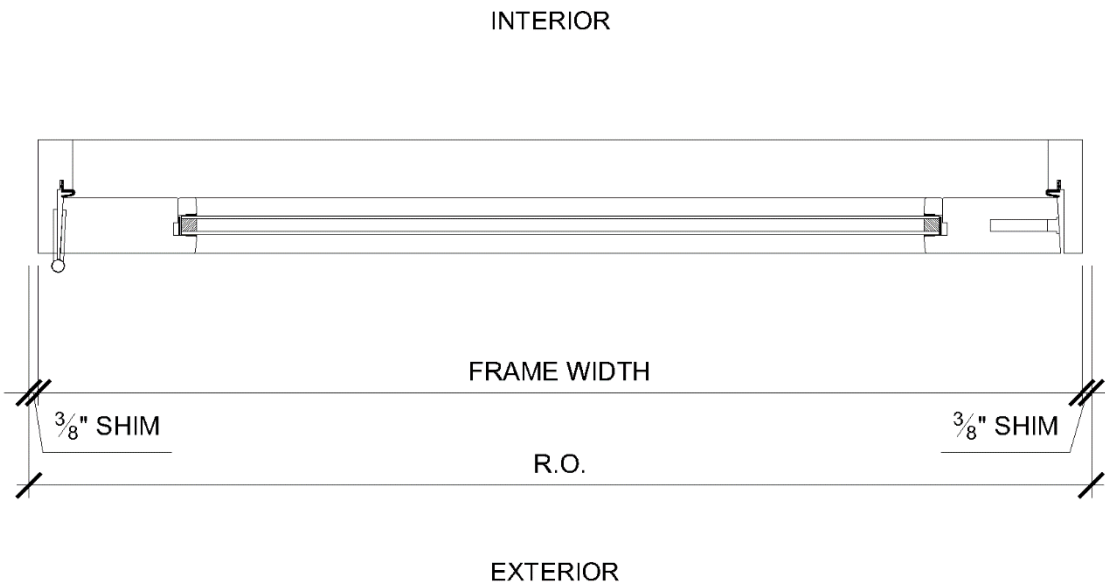
## Double Out-Swing Door Elevation



# Hinged Outswing Door W5700

(rev. 02.06.18)

## Single Out-Swing: Plan Section

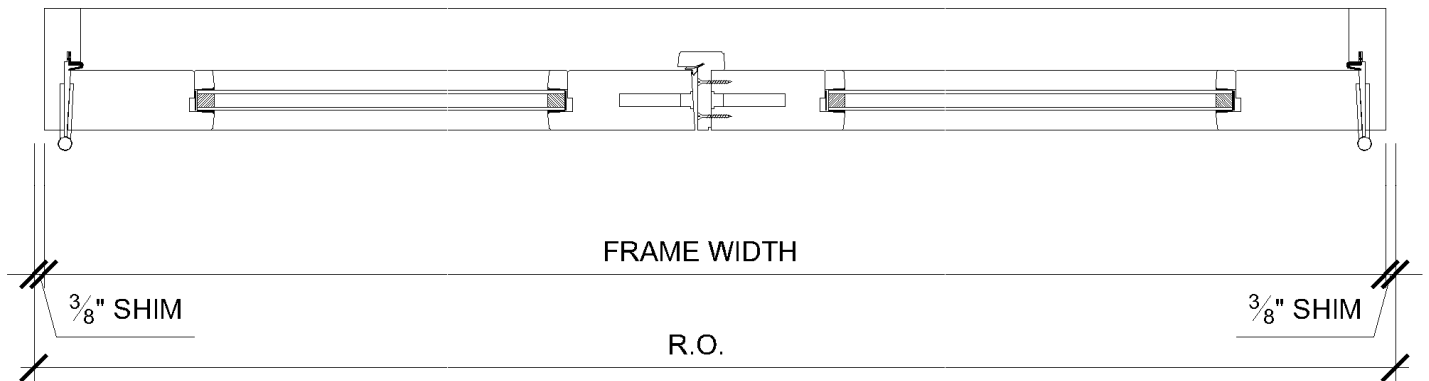


# Hinged Outswing Door W5700

(rev. 02.06.18)

## Double Out-Swing: Plan Section

INTERIOR

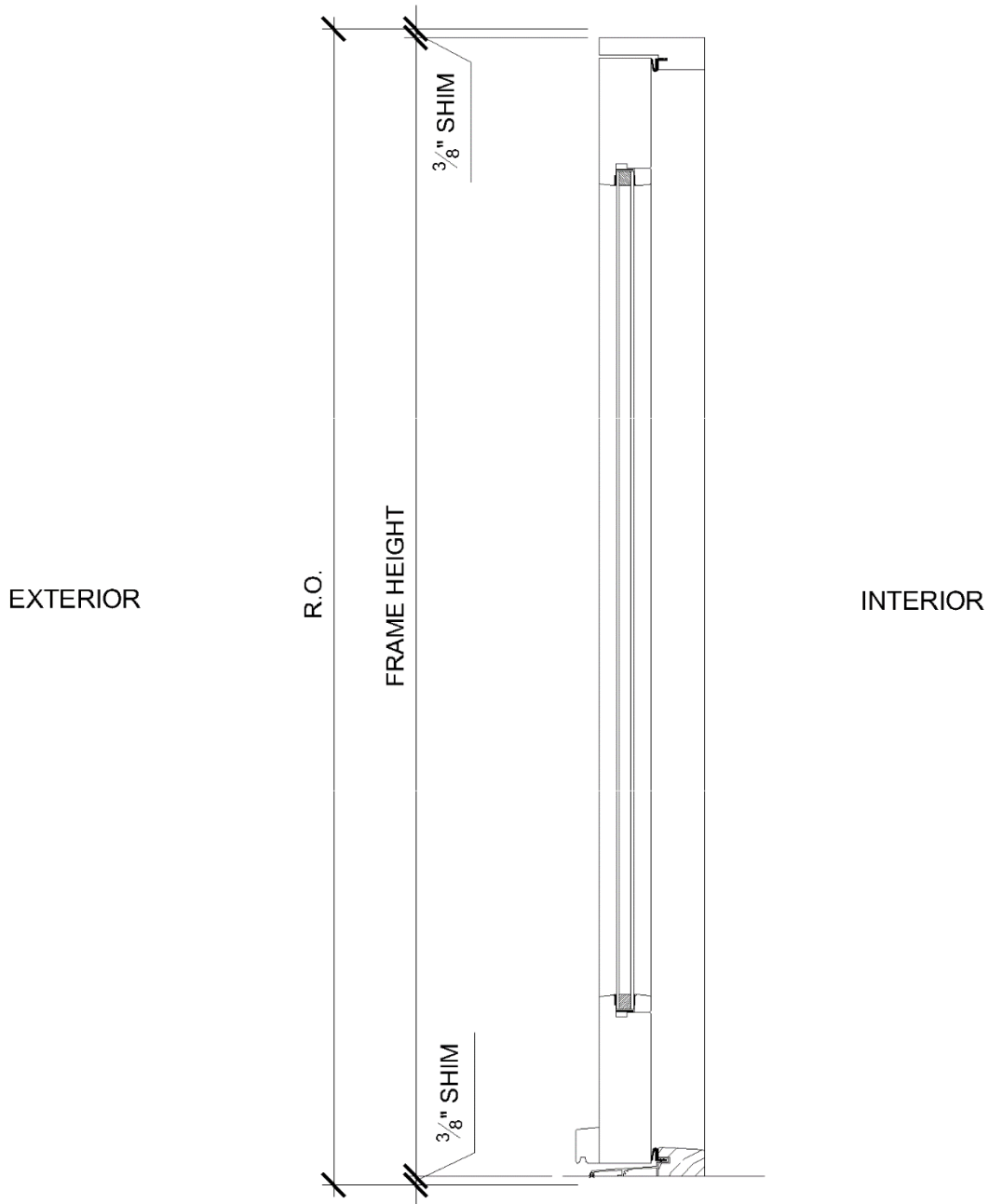


EXTERIOR

# Hinged Outswing Door W5700

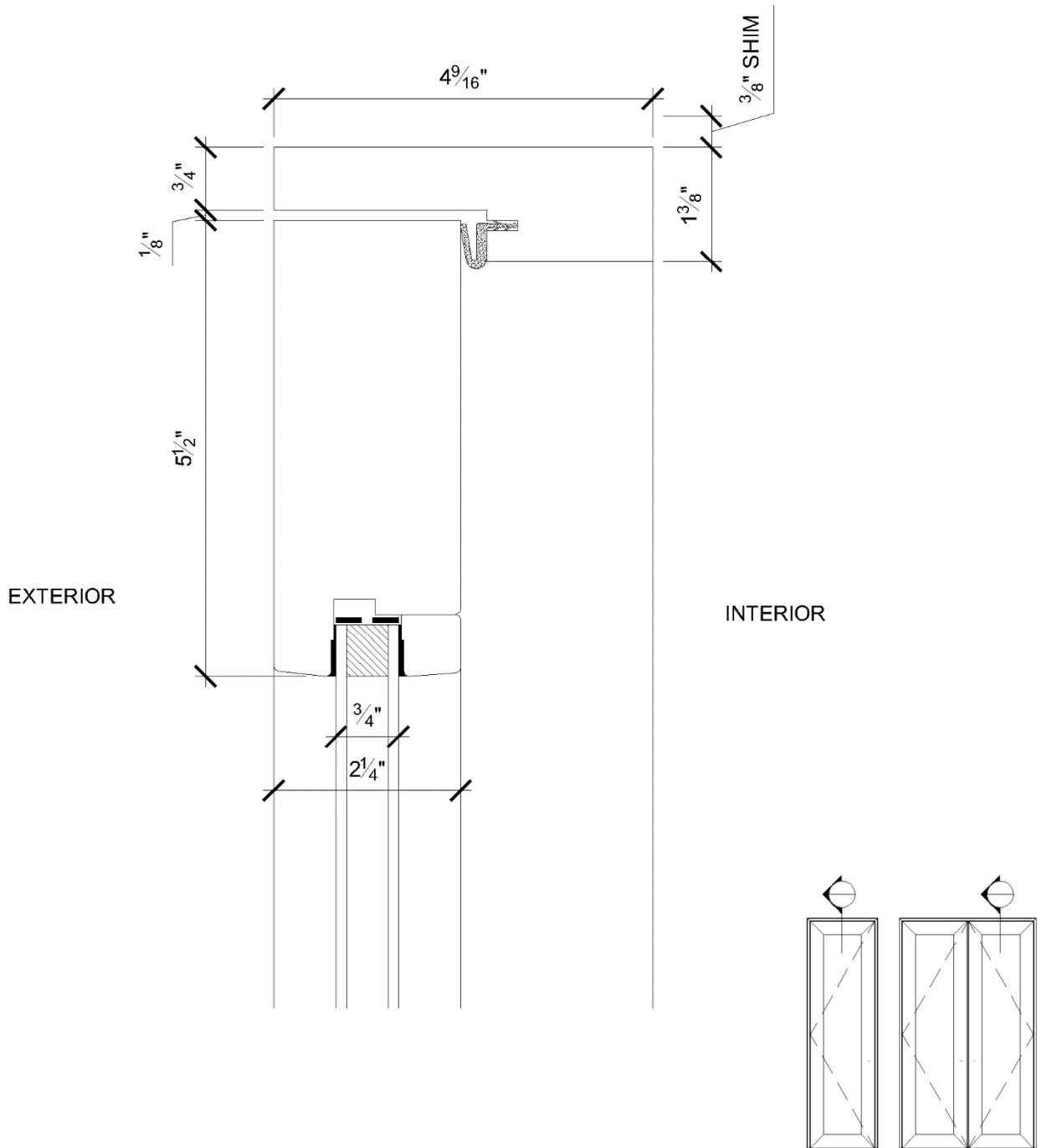
(rev. 02.06.18)

## Out-Swing: Vertical Section





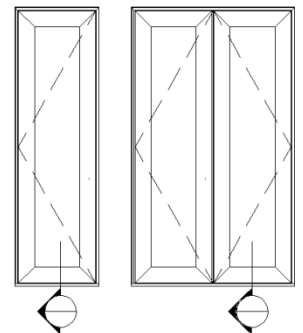
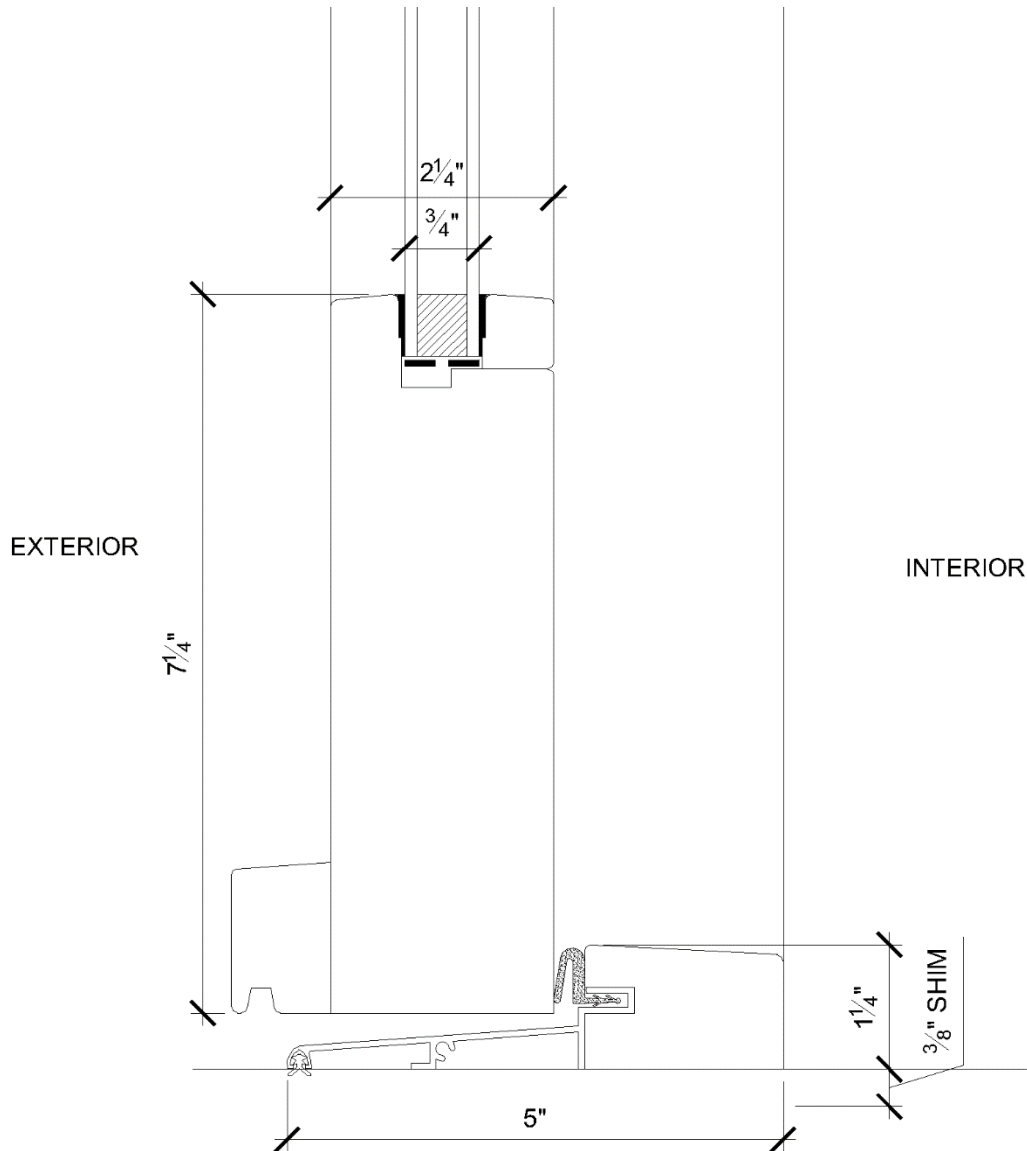
# Out-Swing: Head Detail



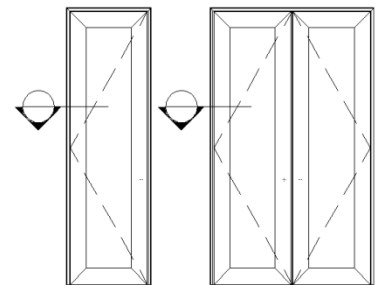
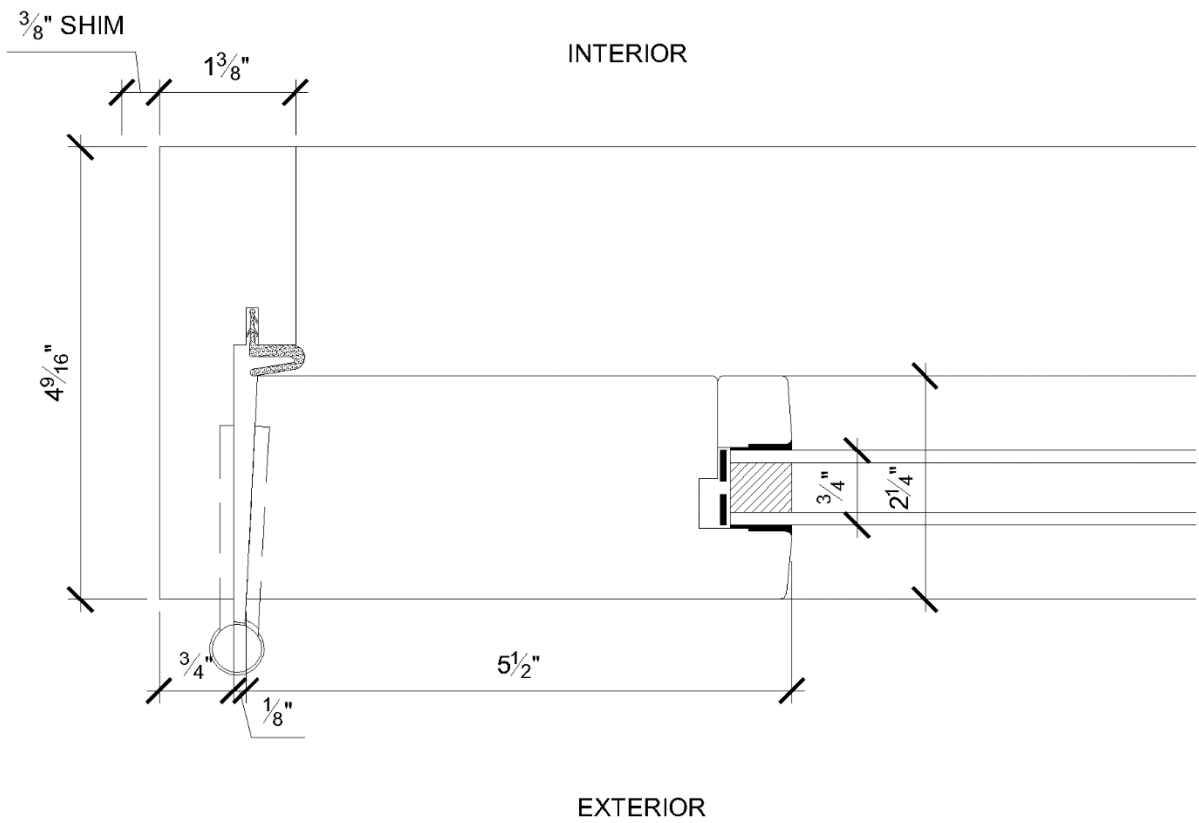
# Hinged Outswing Door W5700

(rev. 02.06.18)

## Out-Swing: Sill Detail



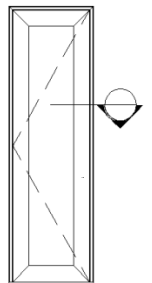
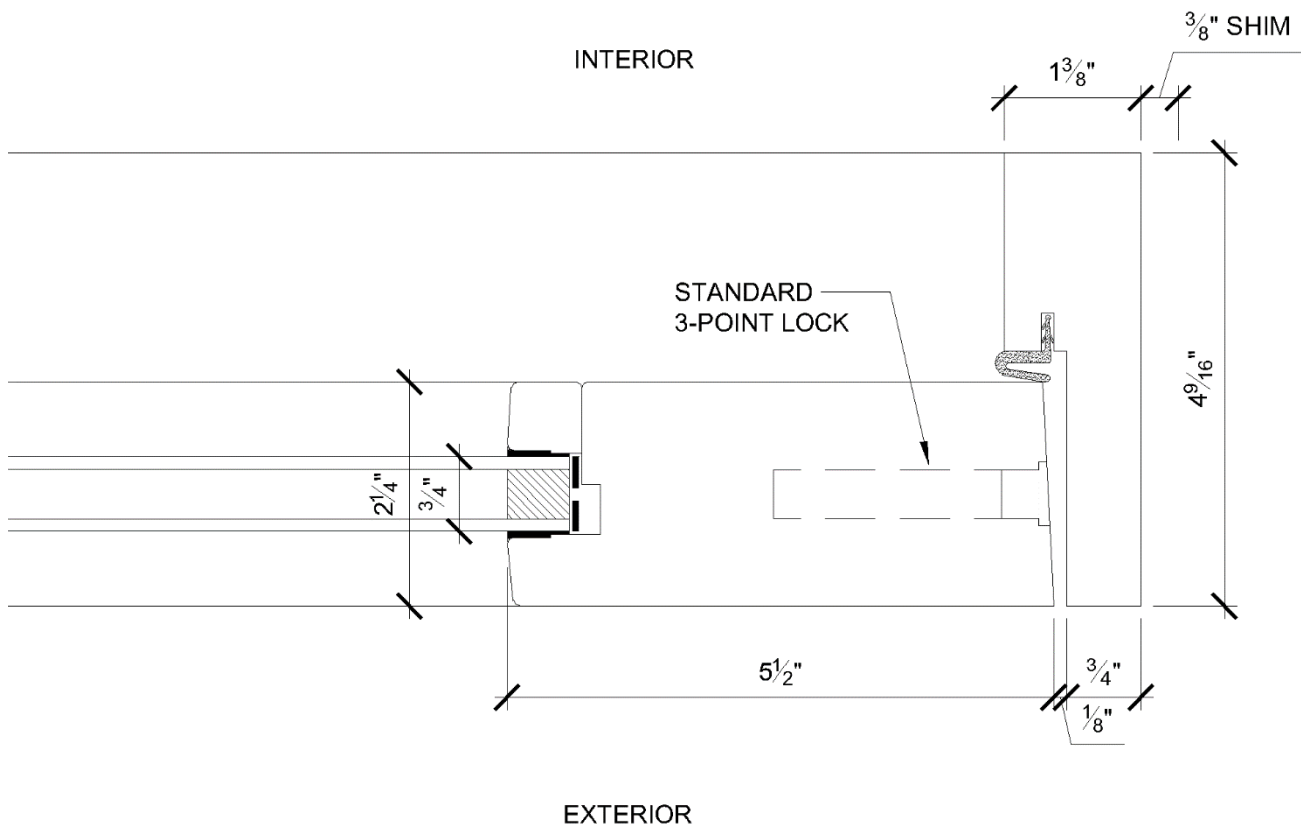
# Out-Swing: Left Jamb Detail



# Hinged Outswing Door W5700

(rev. 02.06.18)

## Out-Swing: Right Jamb Detail

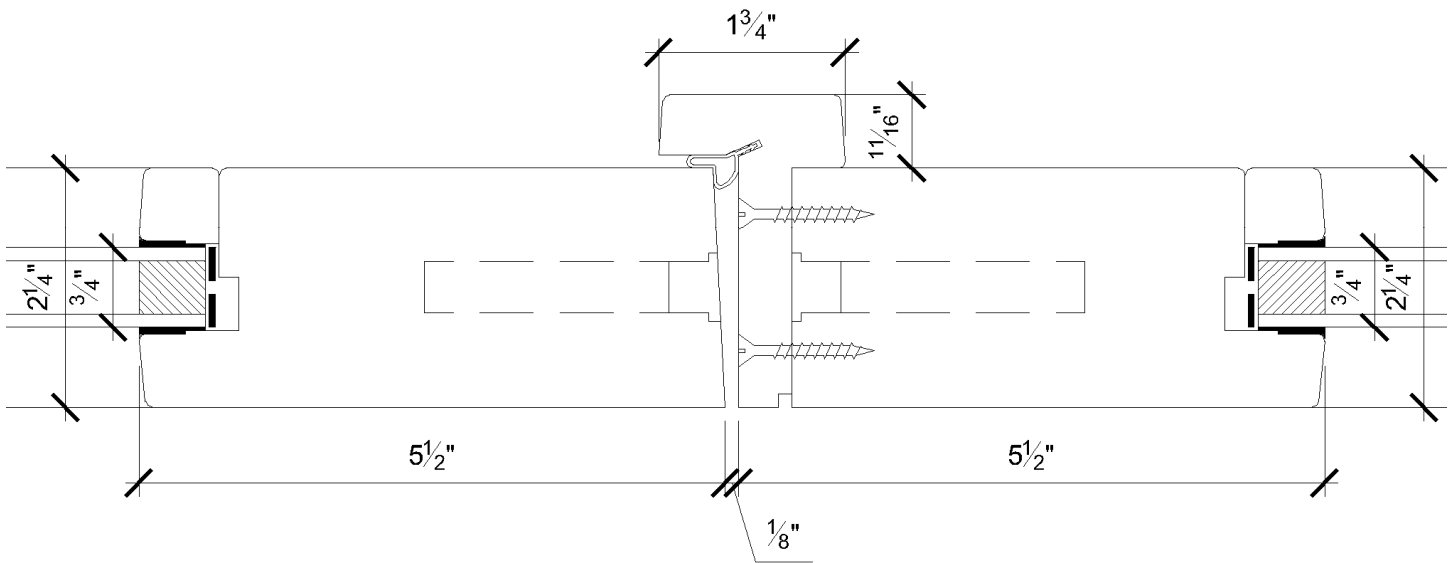


# Hinged Outswing Door W5700

(rev. 02.06.18)

## Out-Swing: Meeting Detail

INTERIOR



EXTERIOR

