



by PACIFIC ARCHITECTURAL MILLWORK

Hinged Inswing Door W5700

(rev. 02.06.18)

Hinged Inswing Door W5700

Section Contents

Product Overview	3
Introduction	3
Hardware Options	3
Glazing Options	3
Wood Species	3
Other Options.....	3
Product Parameters	3
Hardware Images	3
Single In-Swing Door Elevation	4
Double In-Swing Door Elevation	5
Single In-swing Plan Section.....	6
Double In-swing Plan Section.....	7
In-Swing: Vertical Section	8
In-Swing: Head Detail.....	9
In-Swing: Sill Detail.....	10
In-Swing: Left Jamb Detail.....	11
In-Swing: Right Jamb Detail	12
In-Swing: Meeting Detail.....	13

Product Overview



Introduction

Elegance, durability and quality characterize the Reveal Windows & Doors Single Hinged Door W5700 (all wood). This stile-and-rail hinged door is available in either in-swing or out-swing configuration. Each door is precision engineered and built by master craftsmen, resulting in superior performance and beauty that you can see and feel.

The center panel can be made of wood or glass, and customized with decorative glazing, grille patterns, or one or more mid-rails. We can help you achieve any look you desire, from Old World rustic to sleek contemporary. Hinged doors are also available with hinged wood-framed screens to allow air circulation and prevent unwanted pests.

Hardware Options

Doors are pre-hung on brass hinges, in either Oil-Rubbed Bronze or Satin Nickel finish.

Multipoint locks and standard handle sets are available, or specify your own finish hardware to complement your design.

Glazing Options

Standard glazing for the glass door panel is 3/4" overall tempered insulated glass. Custom glazing, tinted glass, wood flat panels, and wood raised panels are also available.

We offer two different standard glass stops/edge details:

- Contemporary (Square)
- Traditional (Ovolo)

See the General Info section for more details.

Wood Species



Our standard wood species are the following:

- Pine
- Vertical Grain Douglas Fir
- African Mahogany

Alternative and exotic wood species are also available. See the Wood Species page in the General Info section.



Other Options

The wood hinged door is available with optional pre-finishing, custom grille patterns, and raised wood panels. Contact Reveal Windows & Doors for additional options and customization.

Product Parameters

Max Frame Height	120"
Max Frame Width	48"
Min Frame Height	66"
Min Frame Width	22"
Panel Thickness	2-1/4"
Standard Stile Width	5-1/2"
Standard Jamb Depth	Out-Swing: 4-9/16" In-Swing: 4-9/16"

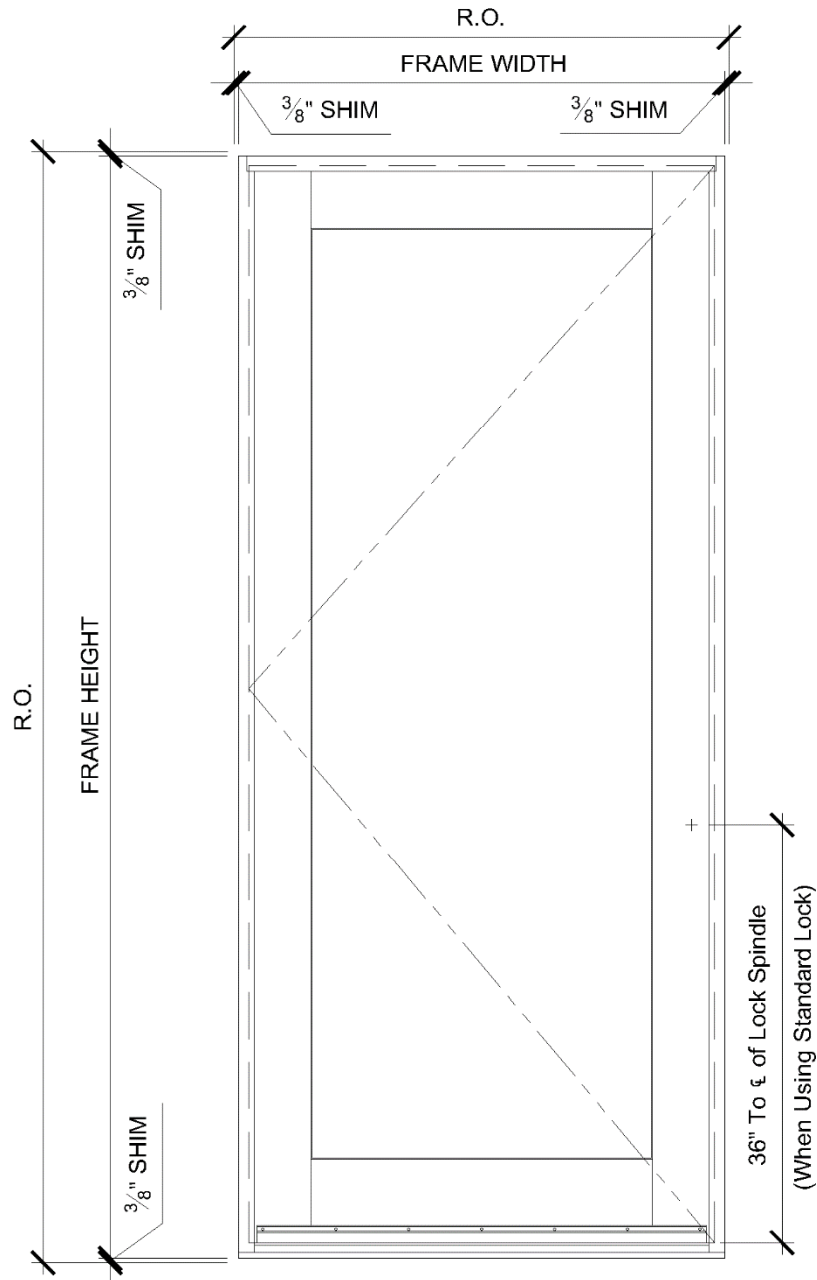
Hardware Images

	
London Handle (Standard)	Verona Handle (Optional)
<ul style="list-style-type: none"> • Silver • Grey Brown • Traffic White 	<ul style="list-style-type: none"> • Resista Brass • Oil-Rubbed Brass • Satin Nickel

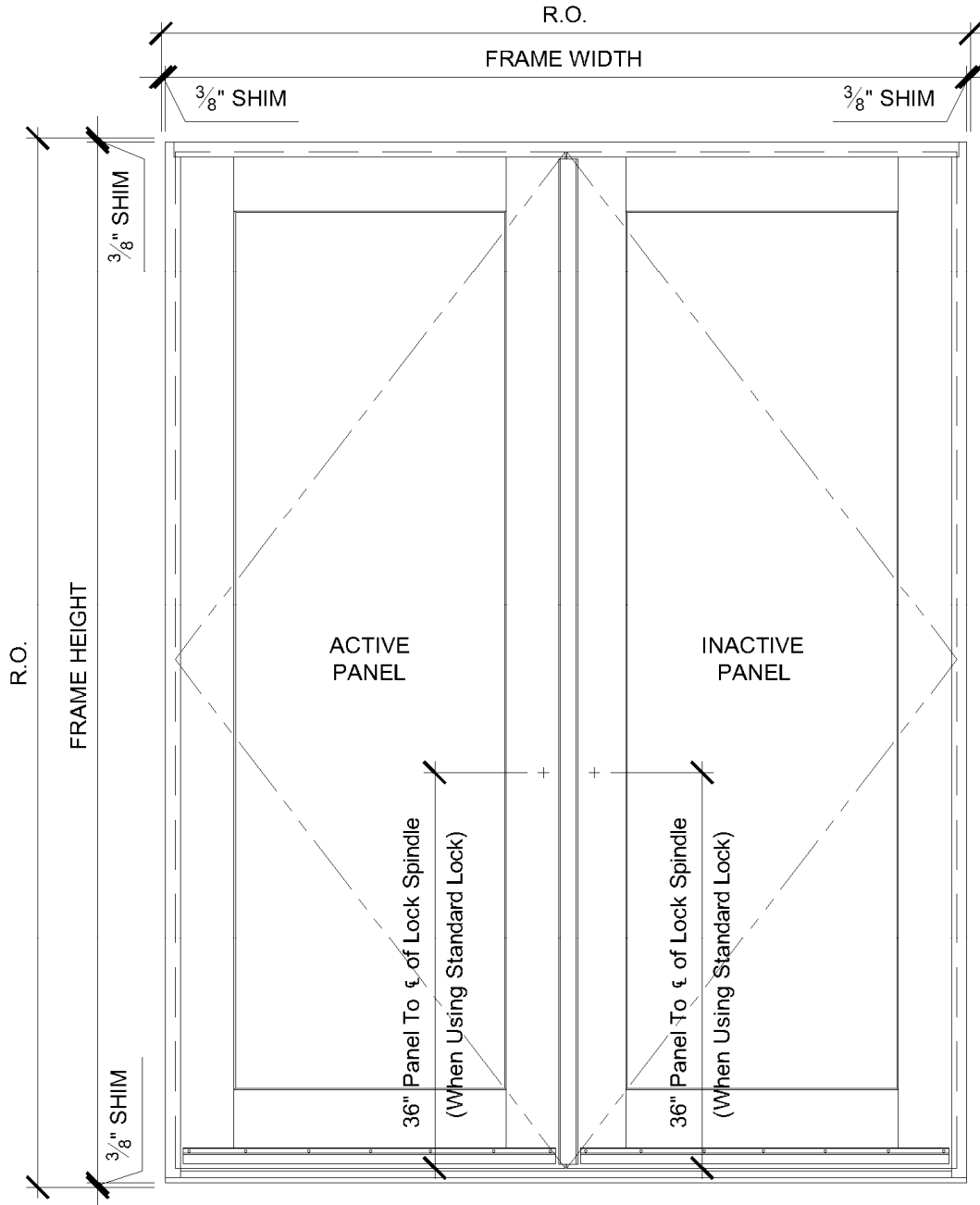
Hinged Inswing Door W5700

(rev. 02.06.18)

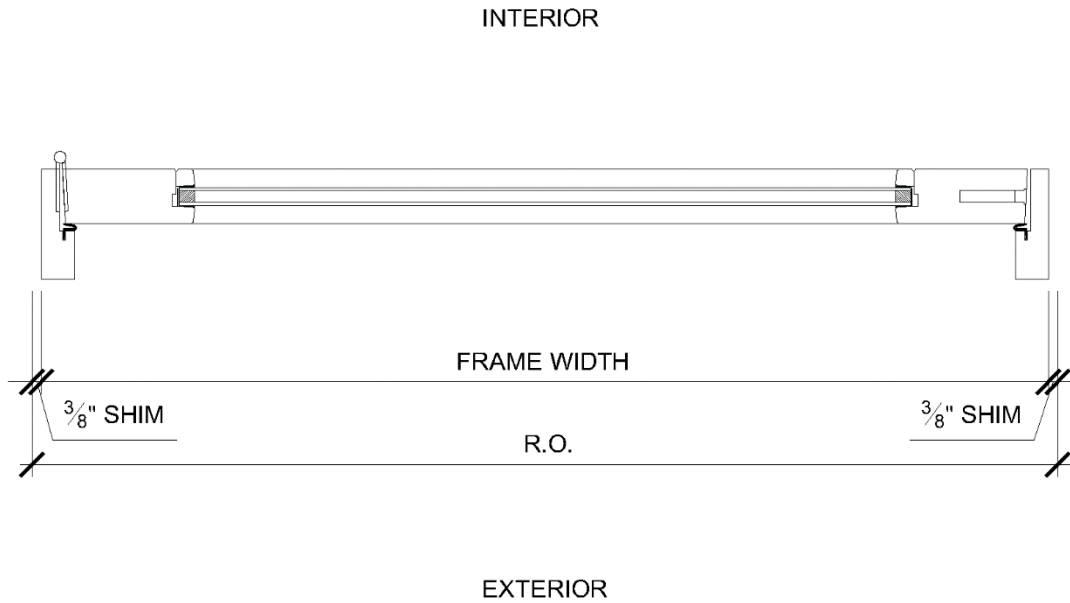
Single In-Swing Door Elevation



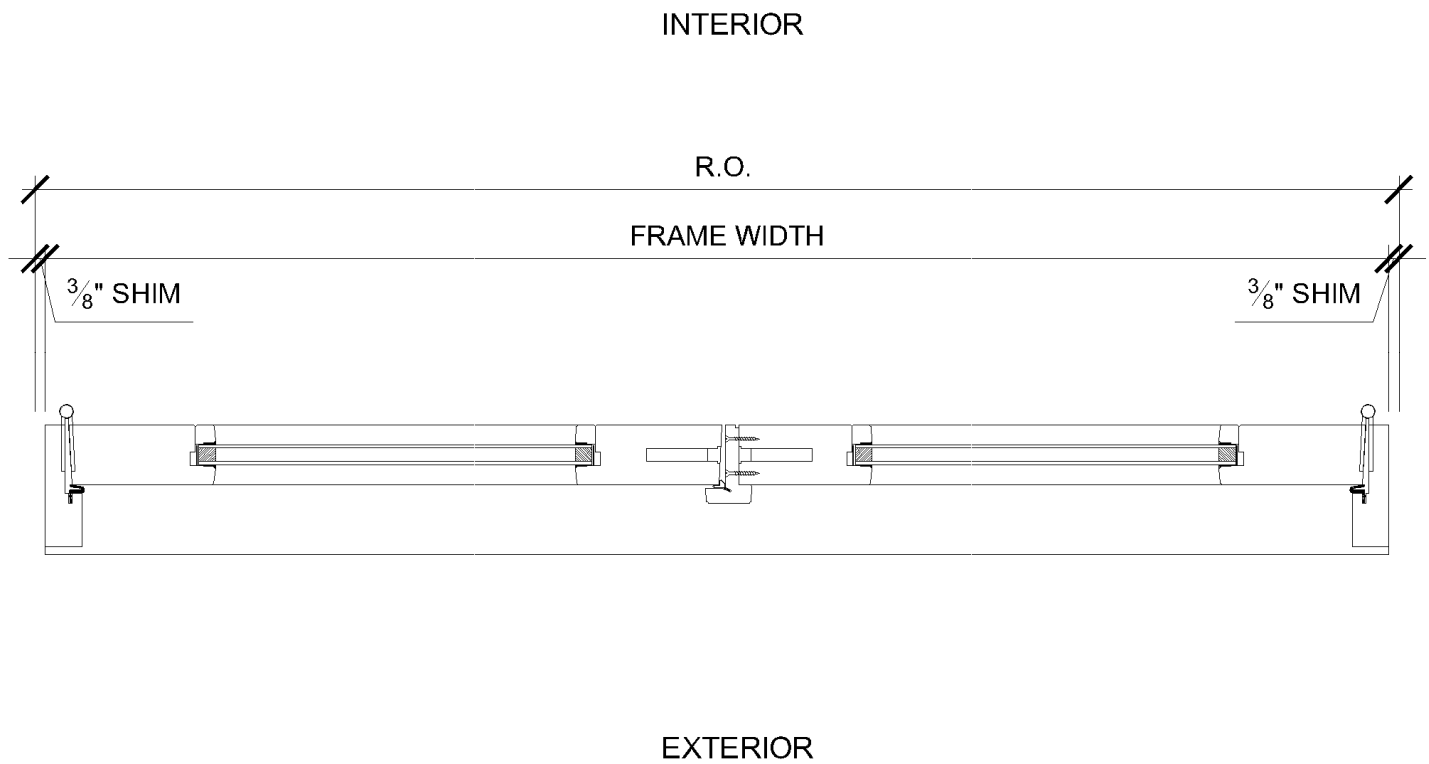
Double In-Swing Door Elevation



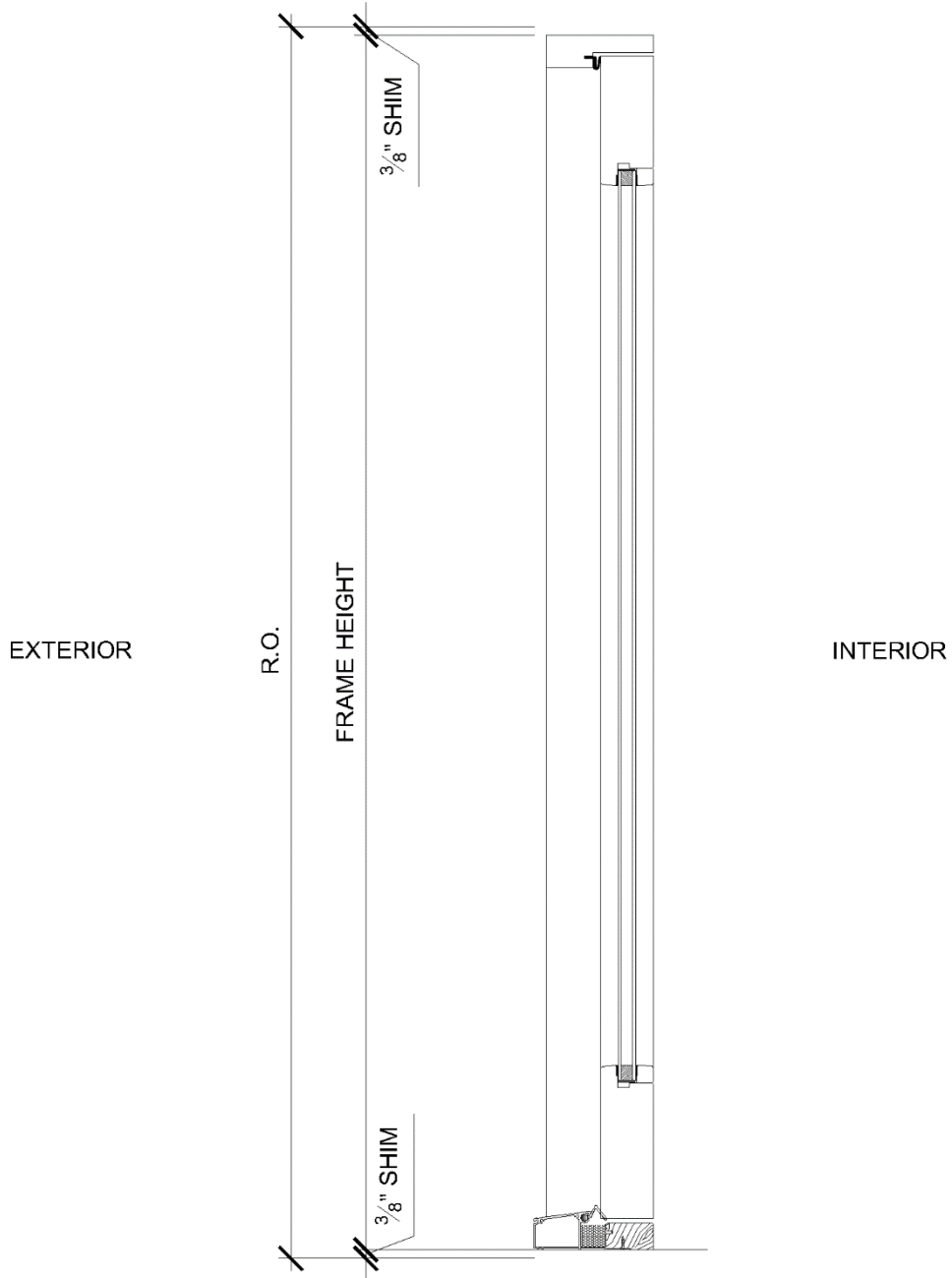
Single In-swing Plan Section



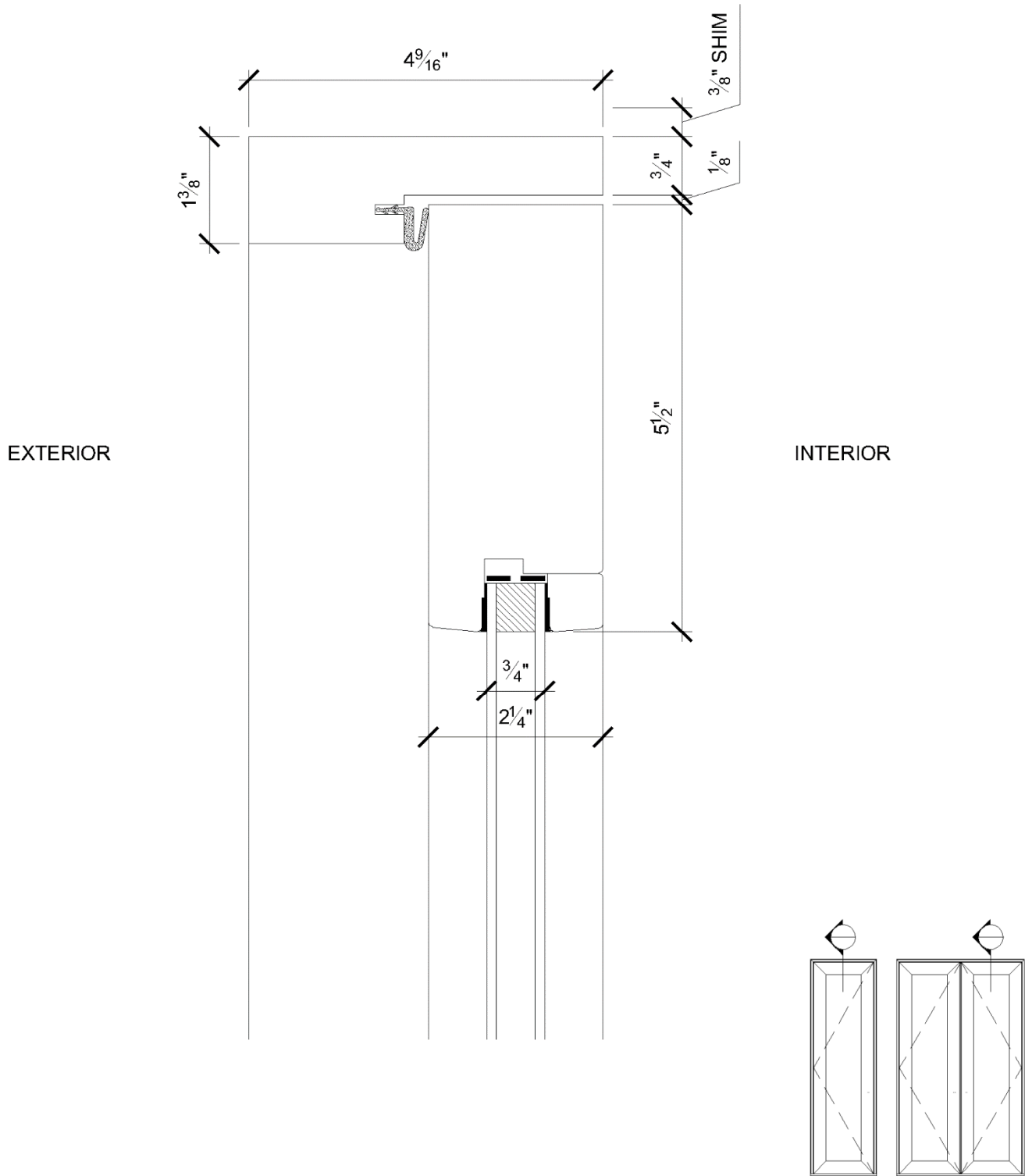
Double In-swing Plan Section



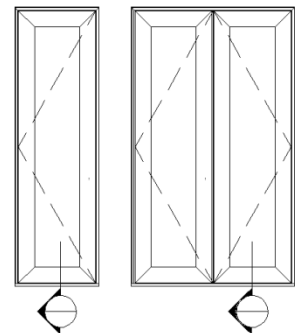
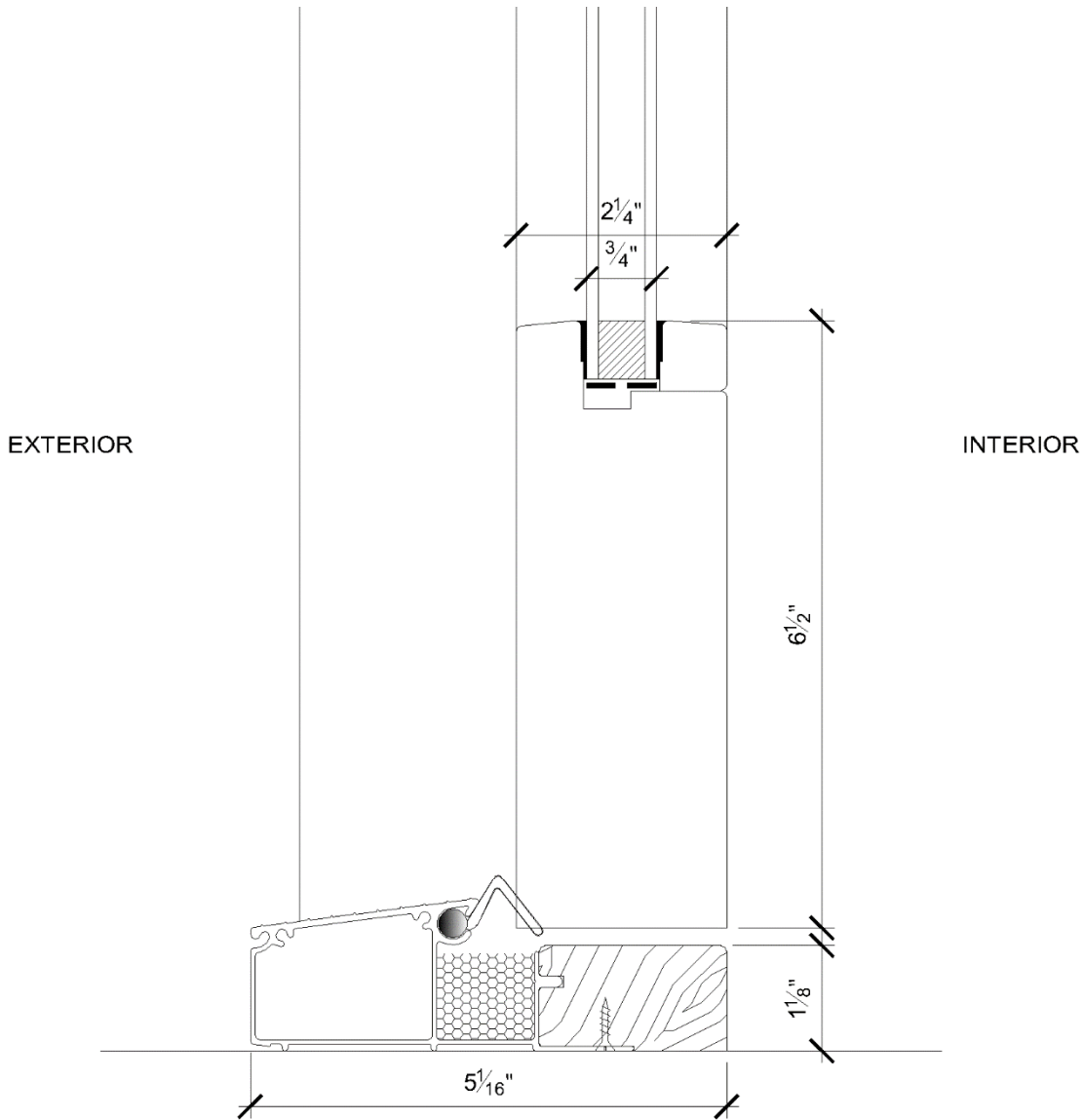
In-Swing: Vertical Section



In-Swing: Head Detail



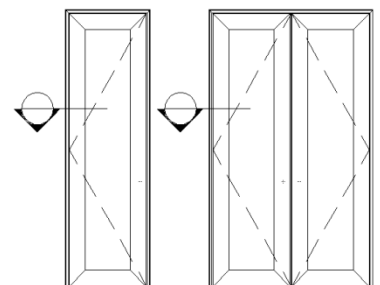
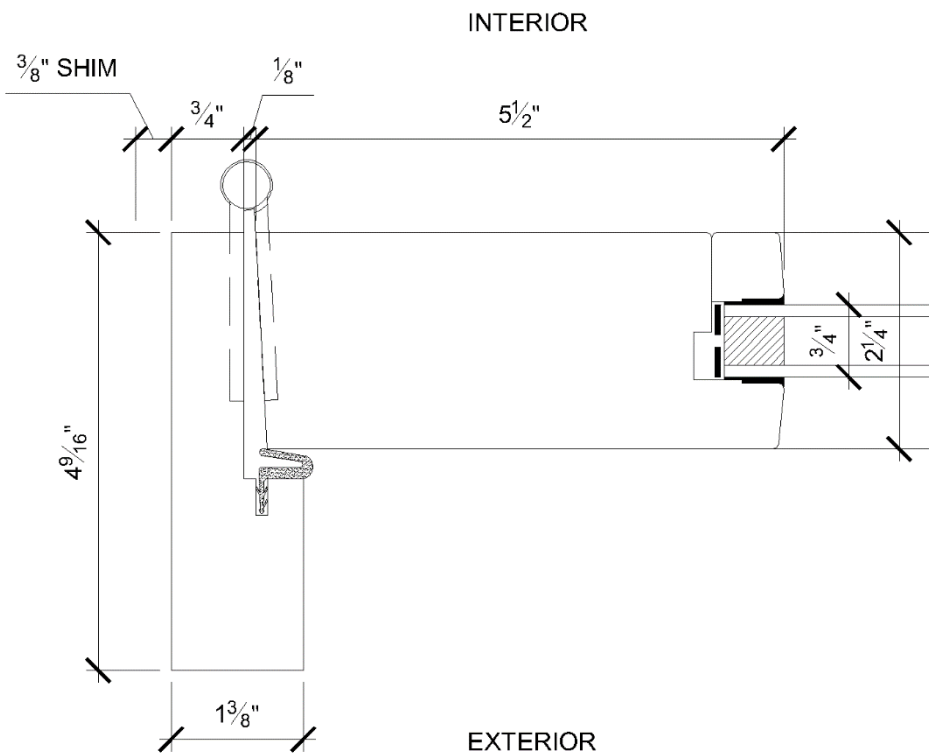
In-Swing: Sill Detail



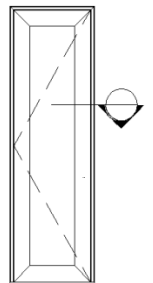
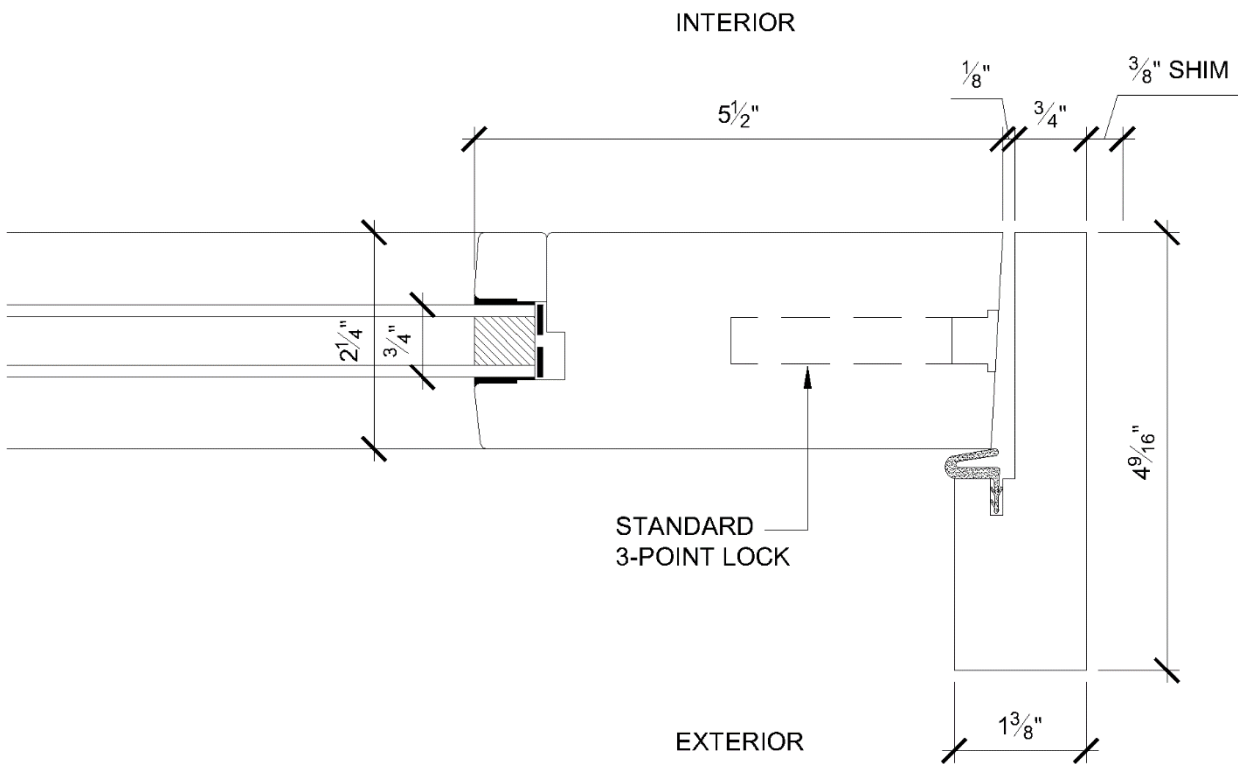
Hinged Inswing Door W5700

(rev. 02.06.18)

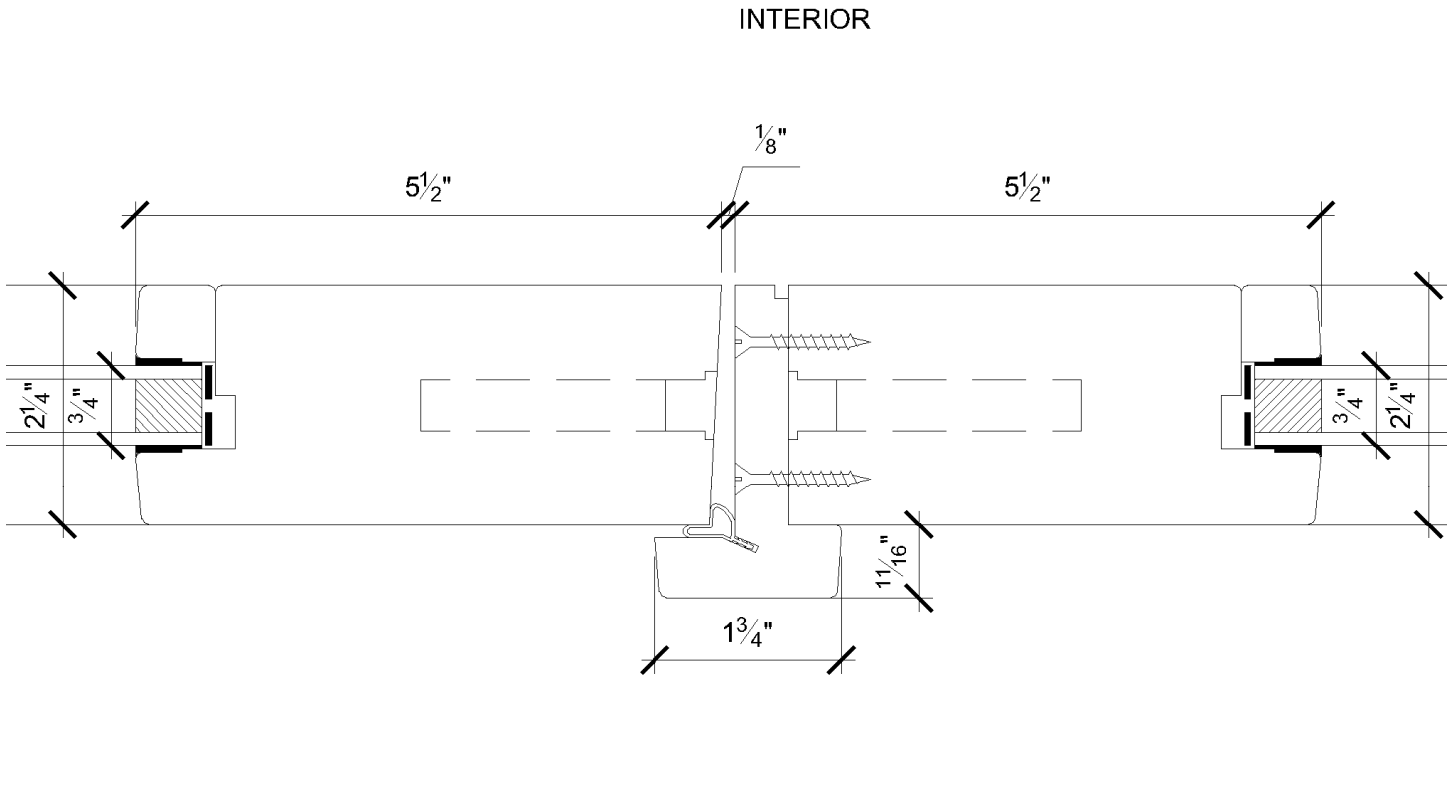
In-Swing: Left Jamb Detail



In-Swing: Right Jamb Detail



In-Swing: Meeting Detail



EXTERIOR

