



by PACIFIC ARCHITECTURAL MILLWORK

# Timber Curtain Wall Lite System

(rev. 02.15.18)

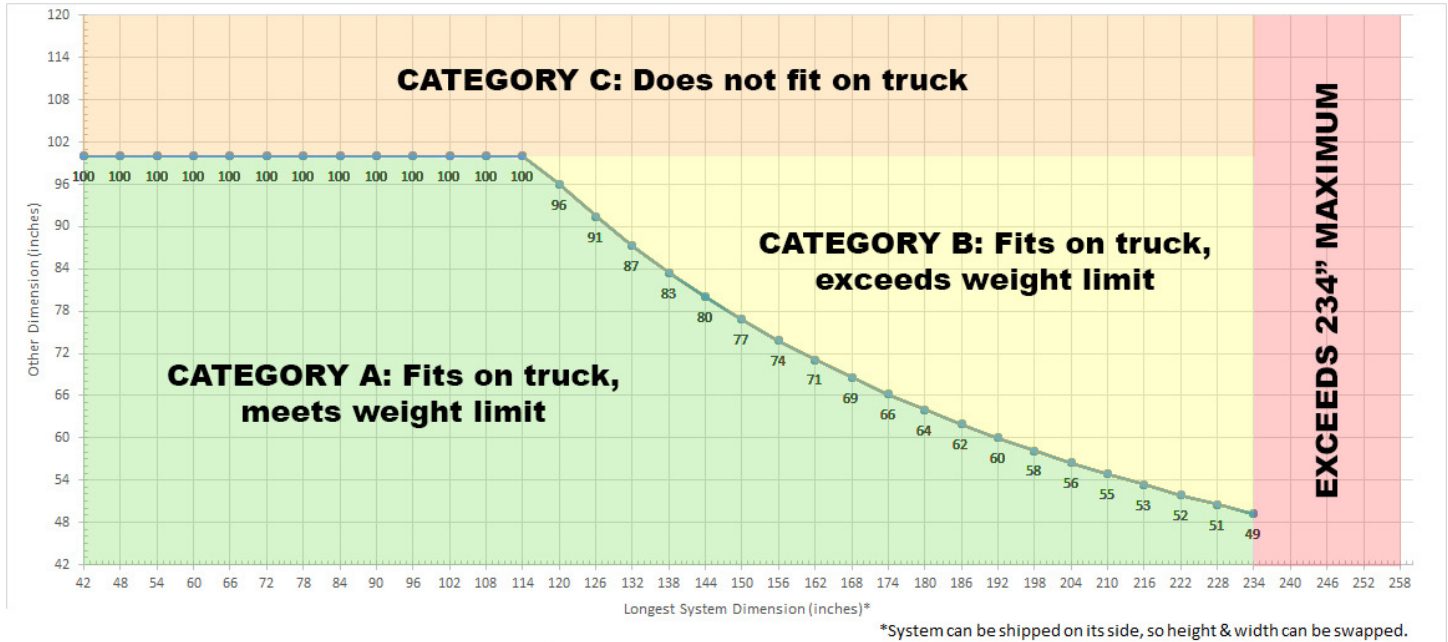
# Timber Curtain Wall Lite System

## Section Contents

Section Contents .....	2
System Size Considerations .....	3
Horizontal/Vertical Intermediate Mullion .....	4
Perimeter Mullion Head Detail .....	5
Outside 90 Degree Corner .....	6
Inside 90 Degree Corner .....	7
M-Series Narrow Casement (WA7000NCW) – Head Detail w/Optional Roll Screen .....	8
M-Series Standard Casement (WA7000) – Head Detail .....	9
M-Series Standard Casement (WA7000CW) – Sill Detail w/Optional Roll Screen .....	10
M-Series Standard Awning (WA7000CW) – Sill Detail w/Optional Motorization .....	11
Inswing Slimline Door (WA8400) – Head Detail .....	12
Inswing Slimline Door (WA8400) – Sill Detail .....	13
Outswing Slimline Door (WA8400) – Head Detail .....	14
Outswing Slimline Door (WA8400) – Sill Detail .....	15
Inswing/Outswing Pivot Door (WA8400) – Head Detail .....	16
Inswing/Outswing Pivot Door (WA8400) – Sill Detail .....	17
Integrated WA8400 Lift & Slide (XO) – Exterior Elevation .....	18
Integrated WA8400 Lift & Slide (XO) – Head Detail @ Operable Panel .....	19
Integrated WA8400 Lift & Slide (XO) – Head Detail @ Fixed Panel .....	20
Integrated WA8400 Lift & Slide (XO) – Sill Detail @ Operable Panel .....	21
Integrated WA8400 Lift & Slide (XO) – Sill Detail @ Fixed Panel .....	22
Integrated AW6700 Lift & Slide (XO) – Exterior Elevation .....	22
Integrated AW6700 Lift & Slide (XO) – Head Detail @ Operable Panel .....	24
Integrated AW6700 Lift & Slide (XO) – Head Detail @ Fixed Panel .....	25
Integrated AW6700 Lift & Slide (XO) – Sill Detail @ Operable Panel .....	26
Integrated AW6700 Lift & Slide (XO) – Sill Detail @ Fixed Panel .....	27

## System Size Considerations

Due to the unlimited possibility in configurations and options for this system, some consideration must be given to shipping and installation limitations, including overall size, weight and jobsite conditions.



### Category A: Factory-Assembled & Factory-Glazed

If we can fit the unit in a full size truck and if the system is not too heavy to be offloaded, then we can ship the system in one piece (factory-glazed and factory-assembled). The system must meet ALL of the following criteria:

- Size limit: System dimensions must not exceed 100" in either height OR width. Maximum dimension must not exceed 234" (6m).
- Weight limit: For dual-glazed systems, estimate 10 lbs/sqft. Total system area must not exceed 80 sqft / 800 lbs.
- Jobsite conditions: Jobsite must be able to accept a full size truck for delivery, and have capability to offload and transport the unit to the opening in one piece.

### Category B: Factory-Assembled, Field-Glazed

If we can fit the unit in a full size truck but the system is too heavy to be offloaded, then we can ship the frame in one piece, but the system must be glazed in the field. The system must meet ALL of the following criteria:

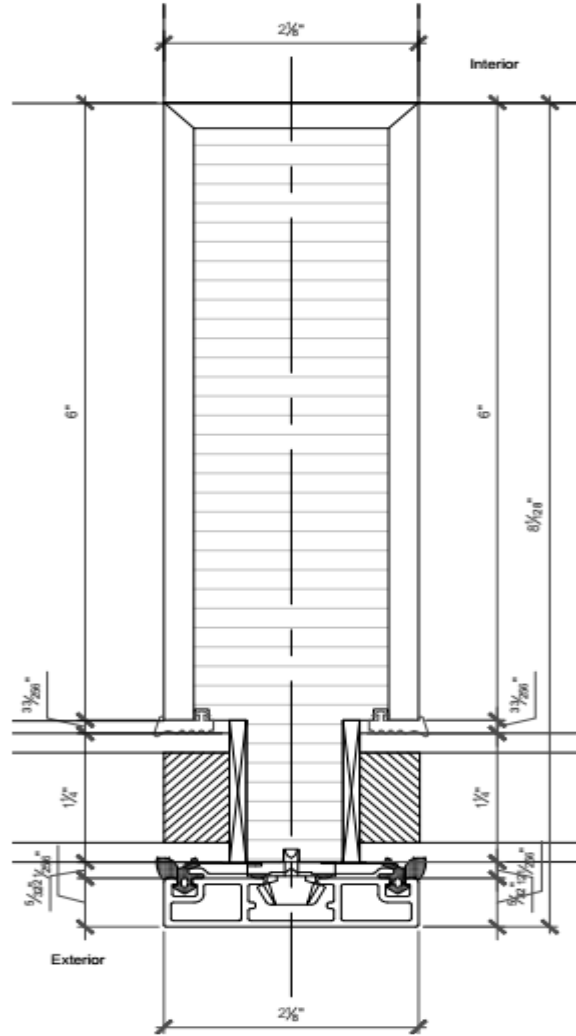
- Size limit: System dimensions must not exceed 100" in either height OR width. Maximum dimension must not exceed 234" (6m).
- Jobsite conditions: Jobsite must be able to accept a full size truck for delivery, and have capability to offload and transport the frame (open/no glazing) to the opening in one piece. Unit must be glazed in the field.

### Category C: Field-Assembled, Field-Glazed

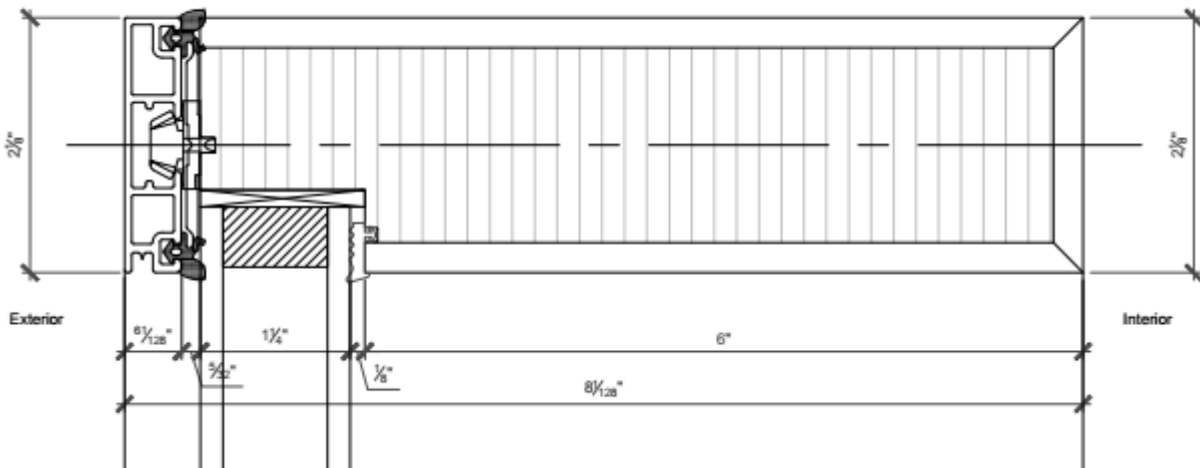
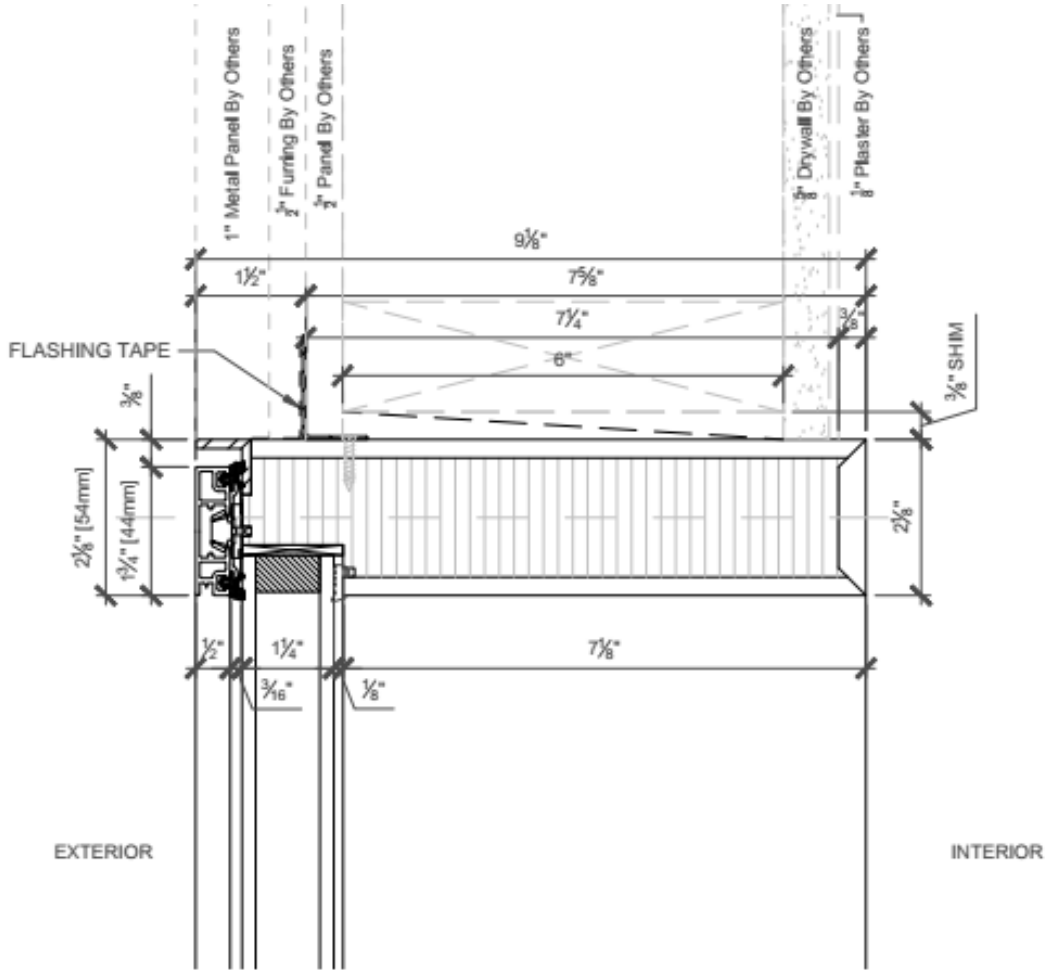
If we cannot fit the unit in a full size truck and the system is too heavy to be offloaded, then we have two options:

- Sub-divide the system into smaller assemblies that fit within either Category A or B above. Sub-assemblies will be mullied together in the field, using double mullion.
- Send the mullions loose (KD) to the jobsite, where the system must be assembled and glazed in the field.

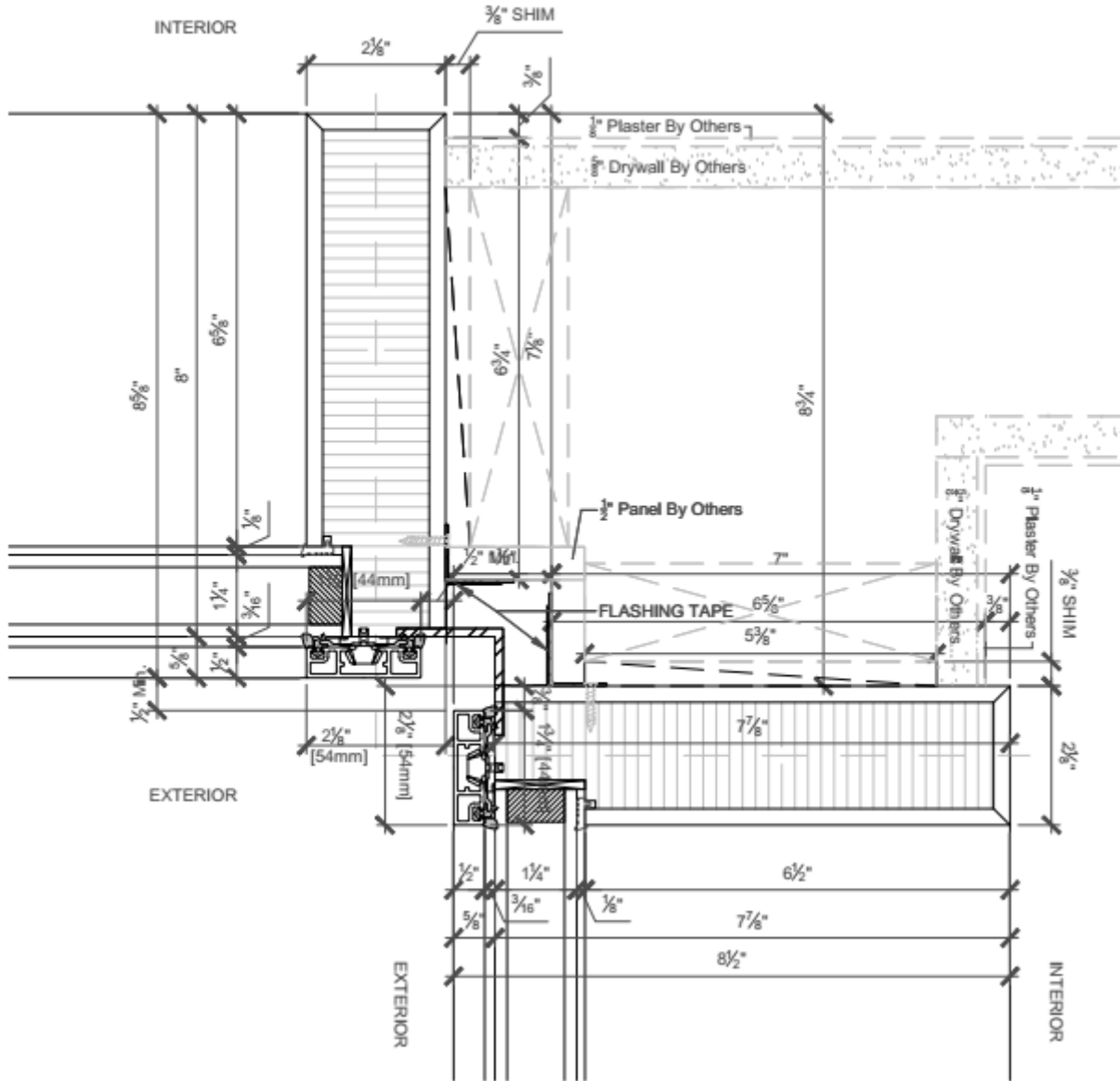
# Horizontal/Vertical Intermediate Mullion



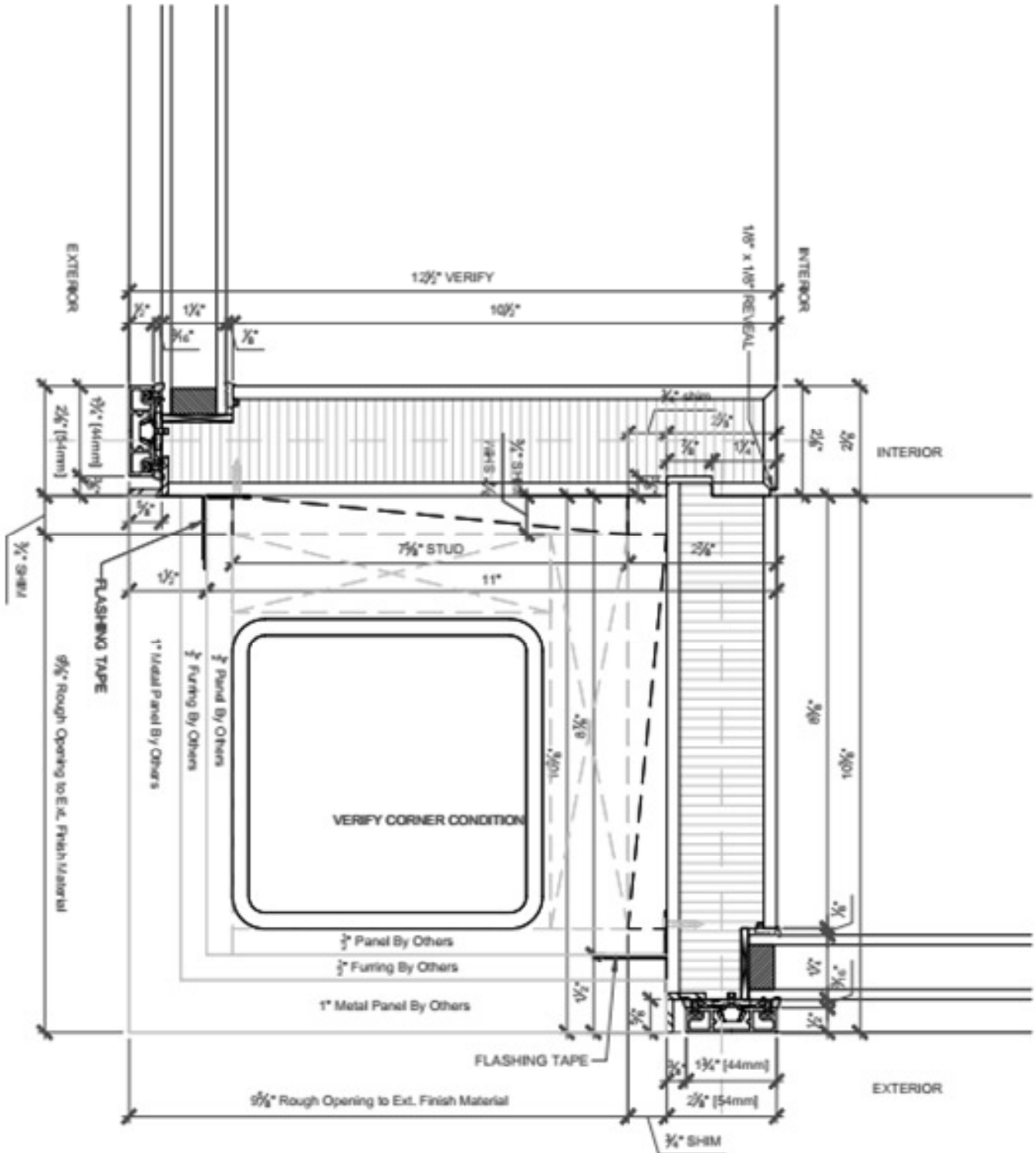
# Perimeter Mullion Head Detail



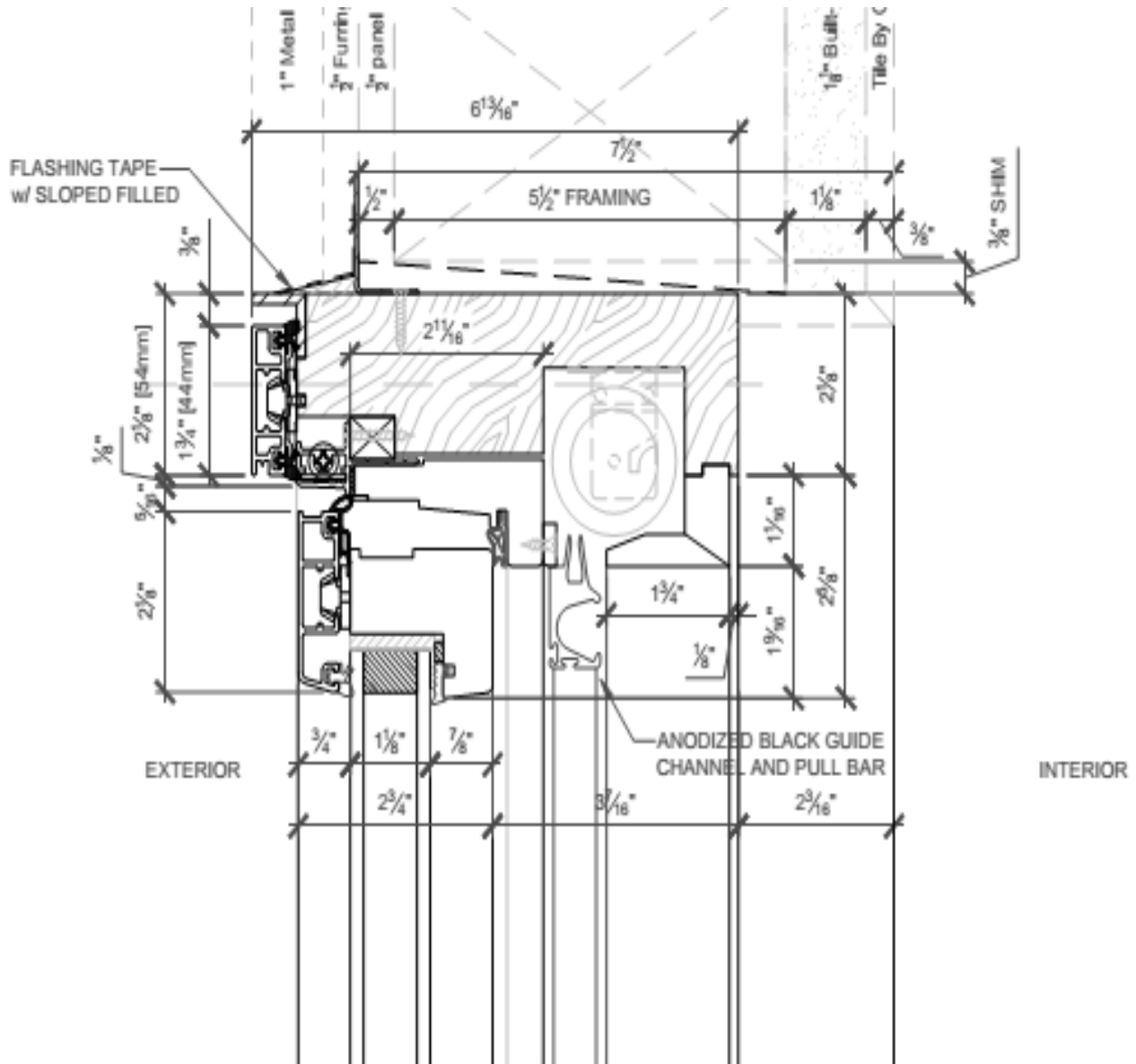
# Outside 90 Degree Corner



# Inside 90 Degree Corner

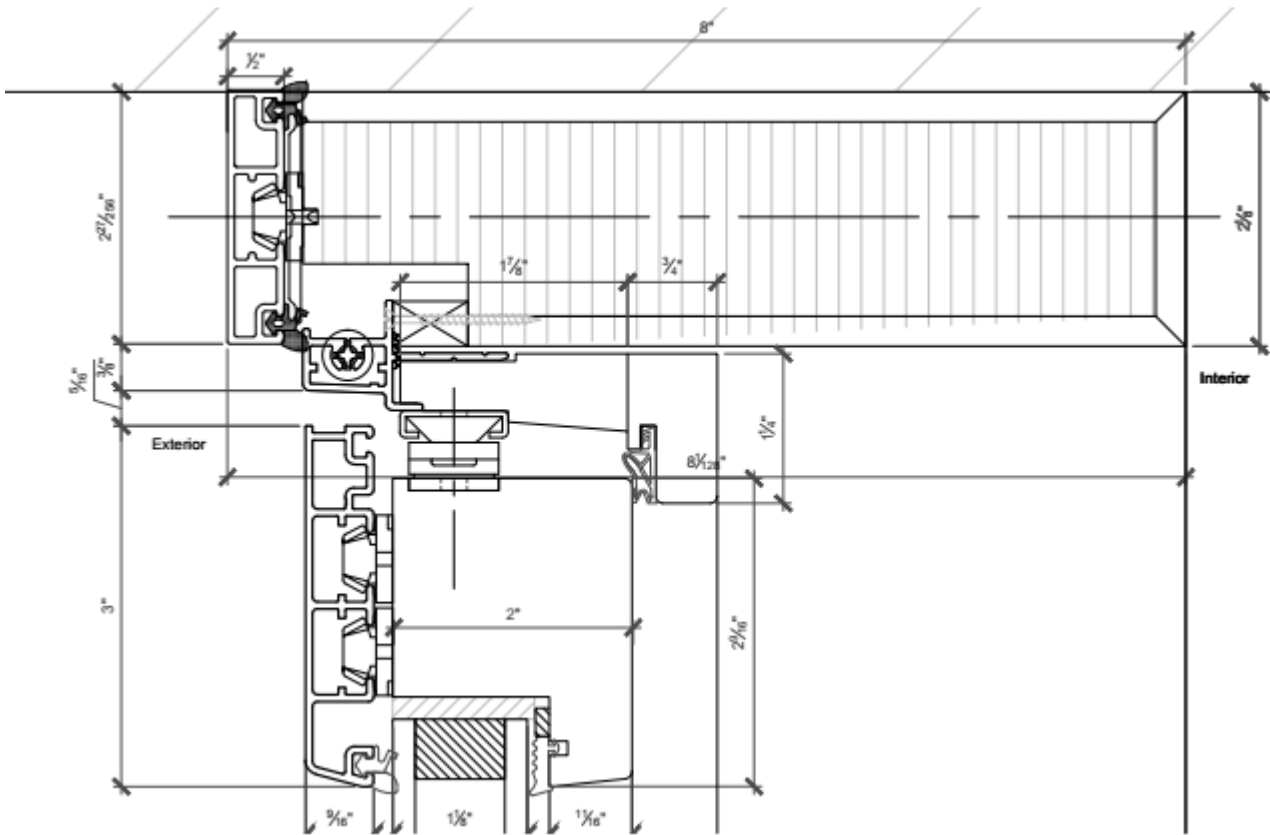


# M-Series Narrow Casement (WA7000NCW) – Head Detail w/Optional Roll Screen

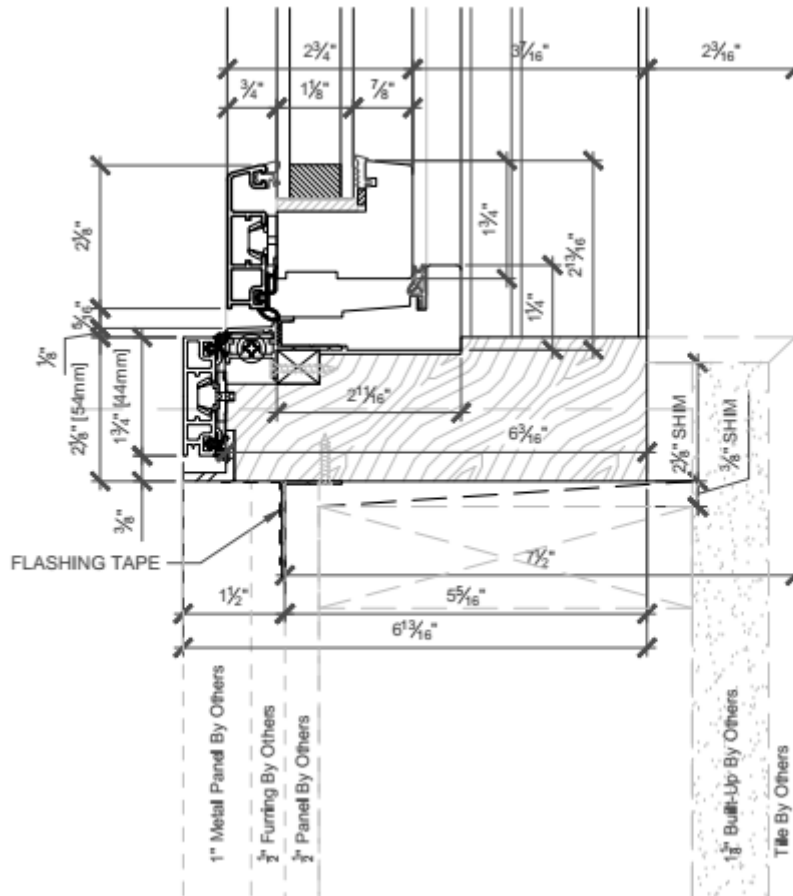




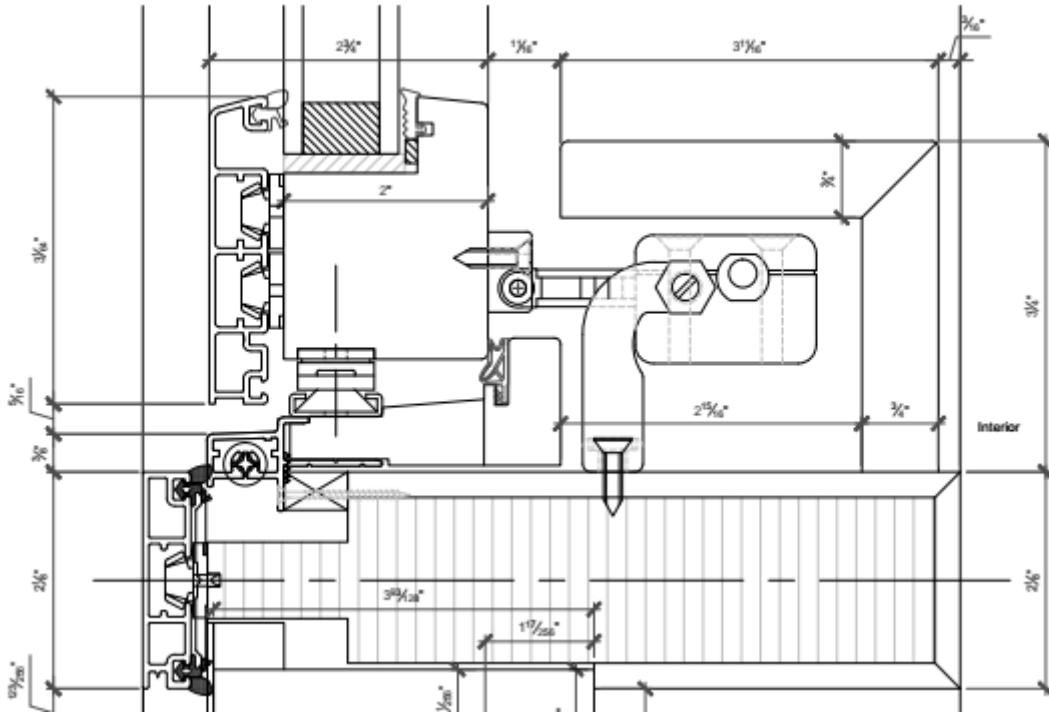
# M-Series Standard Casement (WA7000) – Head Detail



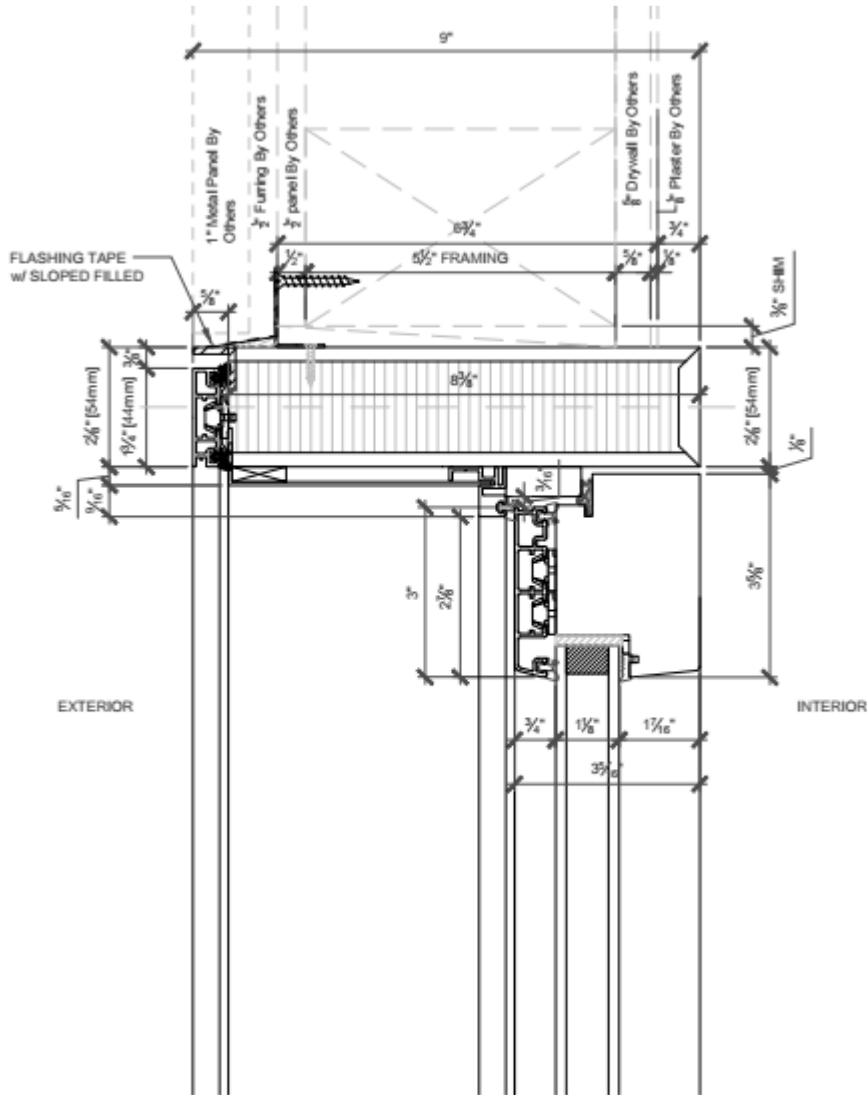
# M-Series Standard Casement (WA7000CW) – Sill Detail w/Optional Roll Screen



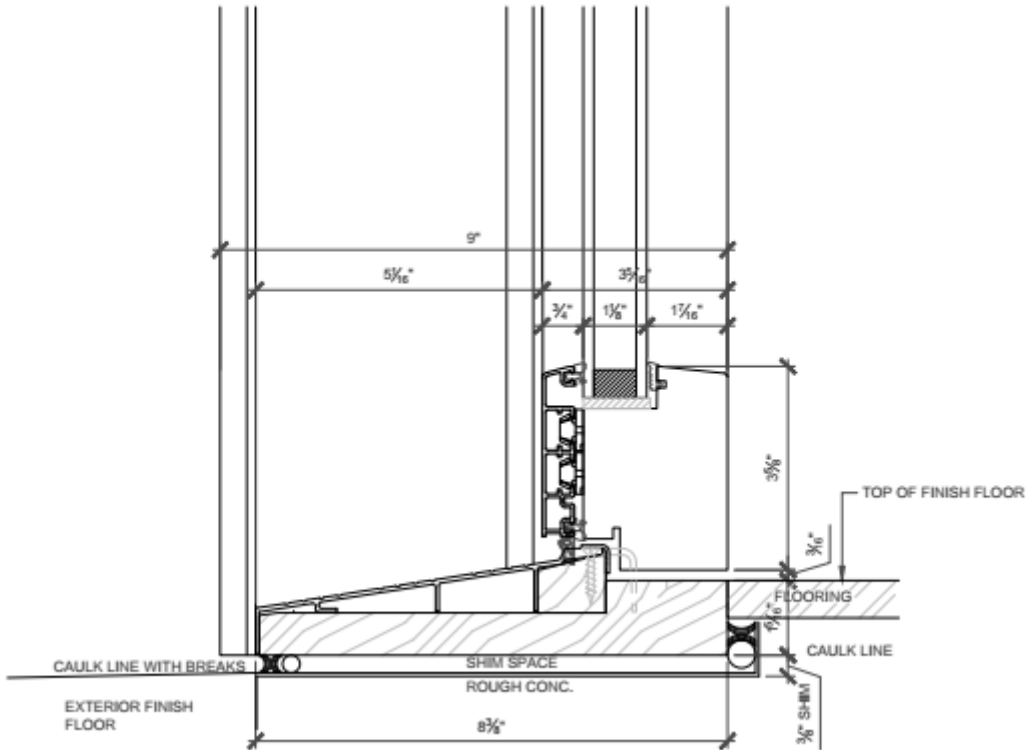
# M-Series Standard Awning (WA7000CW) – Sill Detail w/Optional Motorization



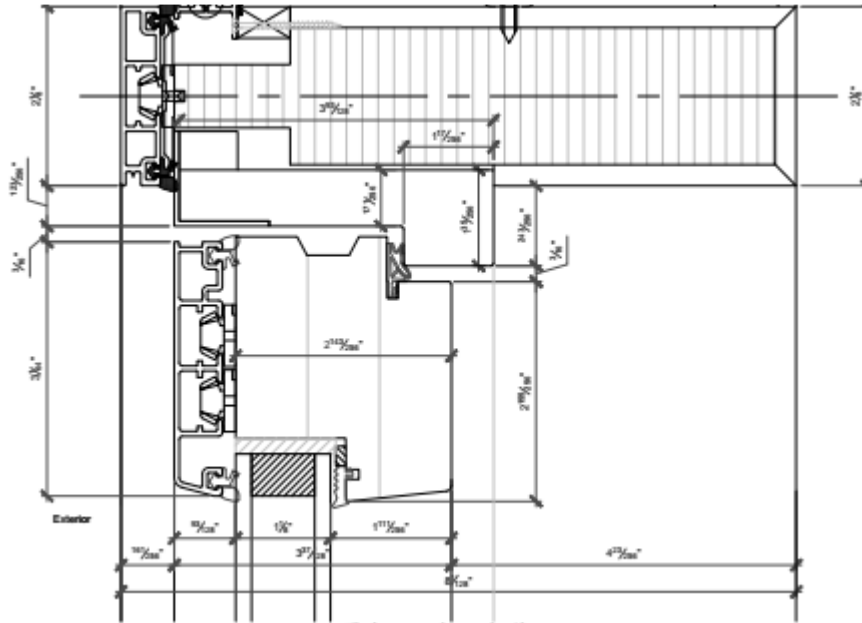
# Inswing Slimline Door (WA8400) – Head Detail



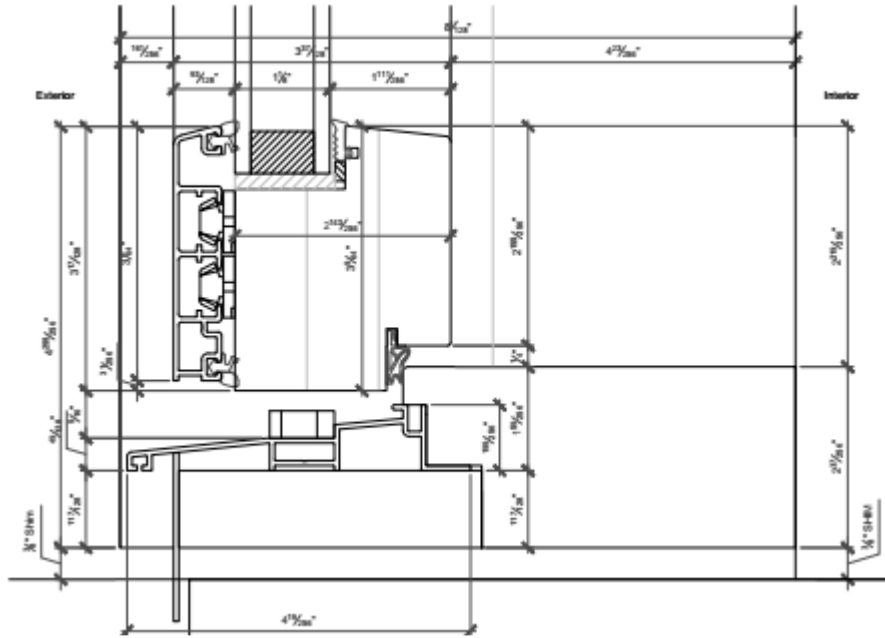
# Inswing Slimline Door (WA8400) – Sill Detail



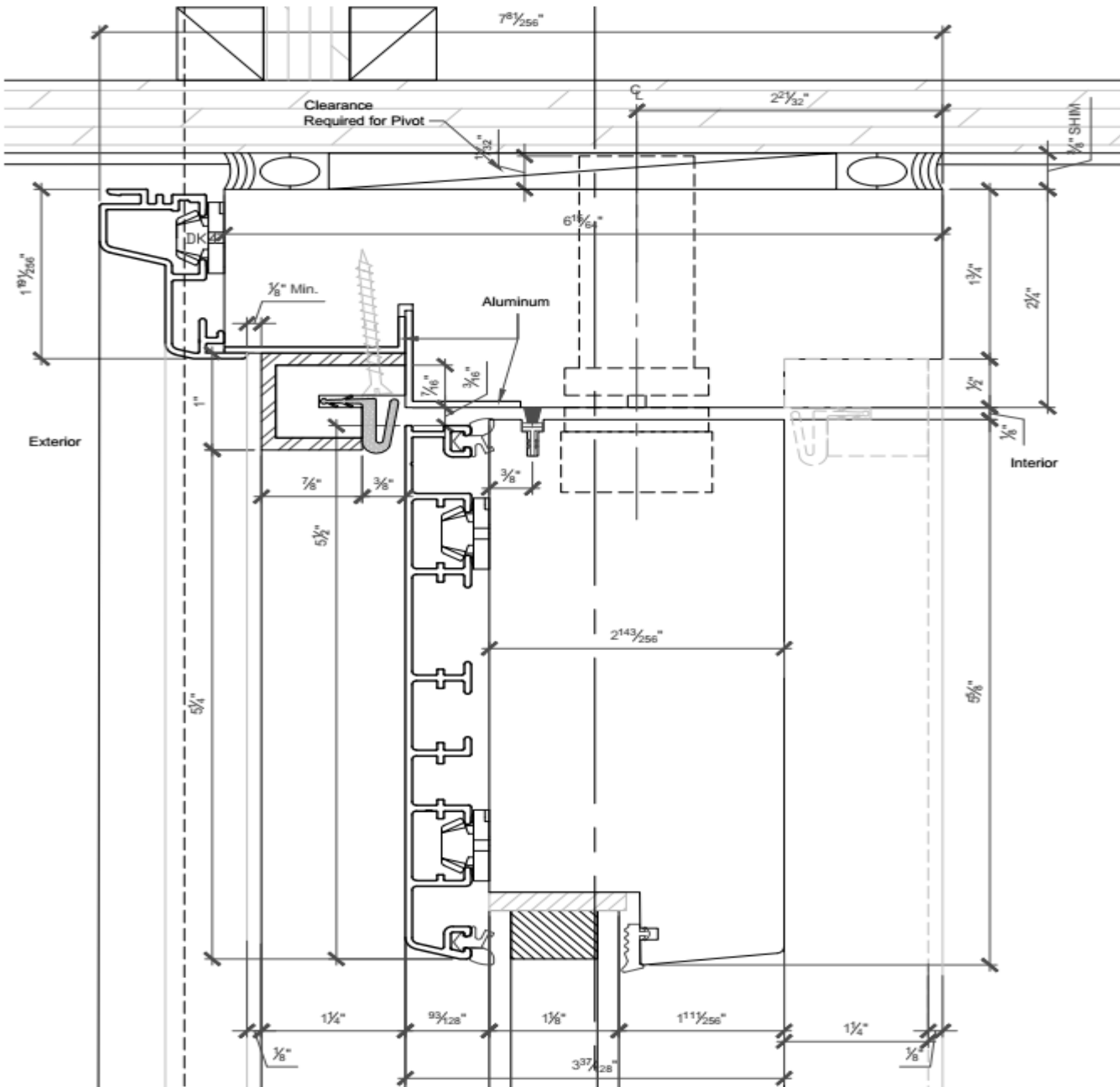
# Outswing Slimline Door (WA8400) – Head Detail



# Outswing Slimline Door (WA8400) – Sill Detail

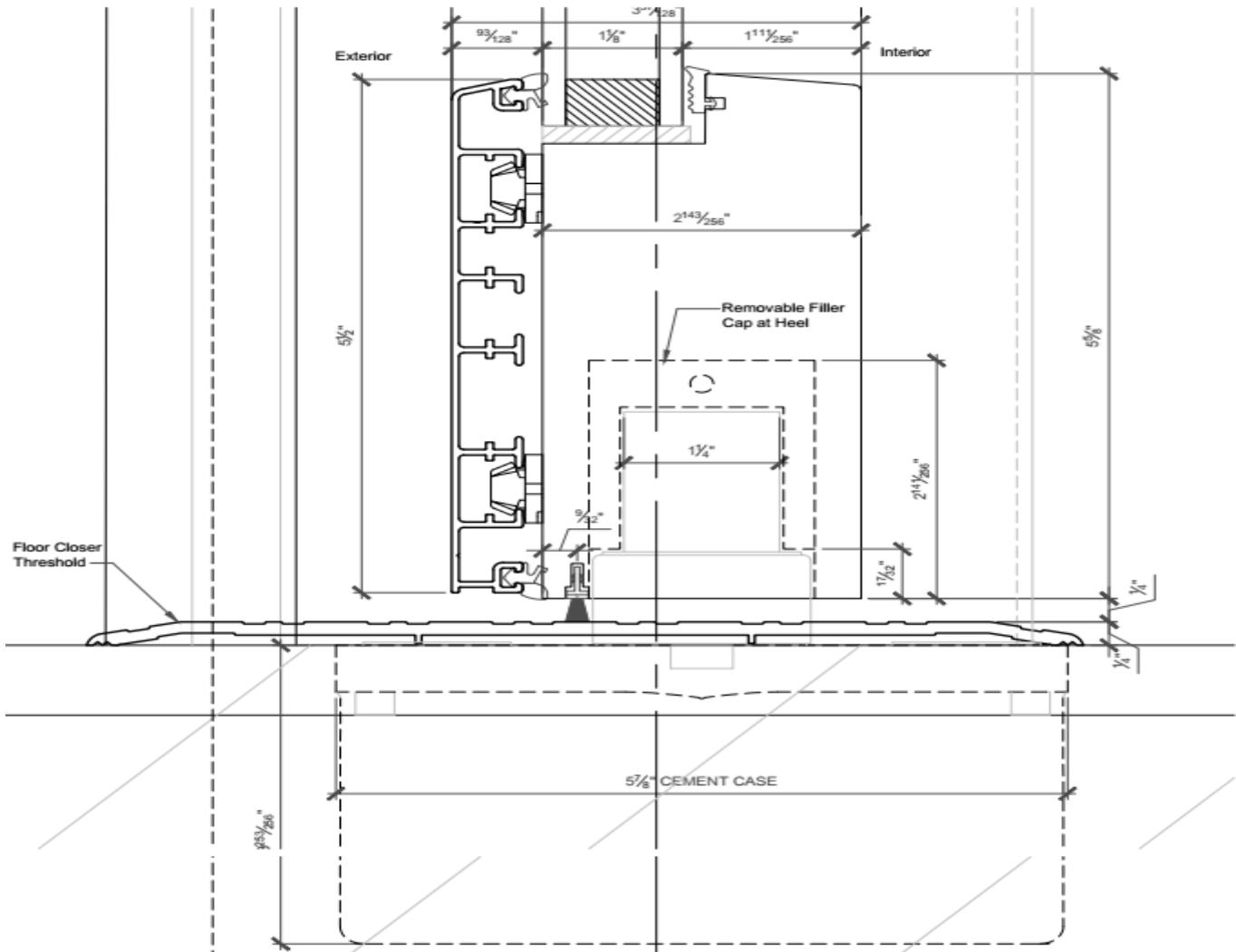


# Inswing/Outswing Pivot Door (WA8400) – Head Detail

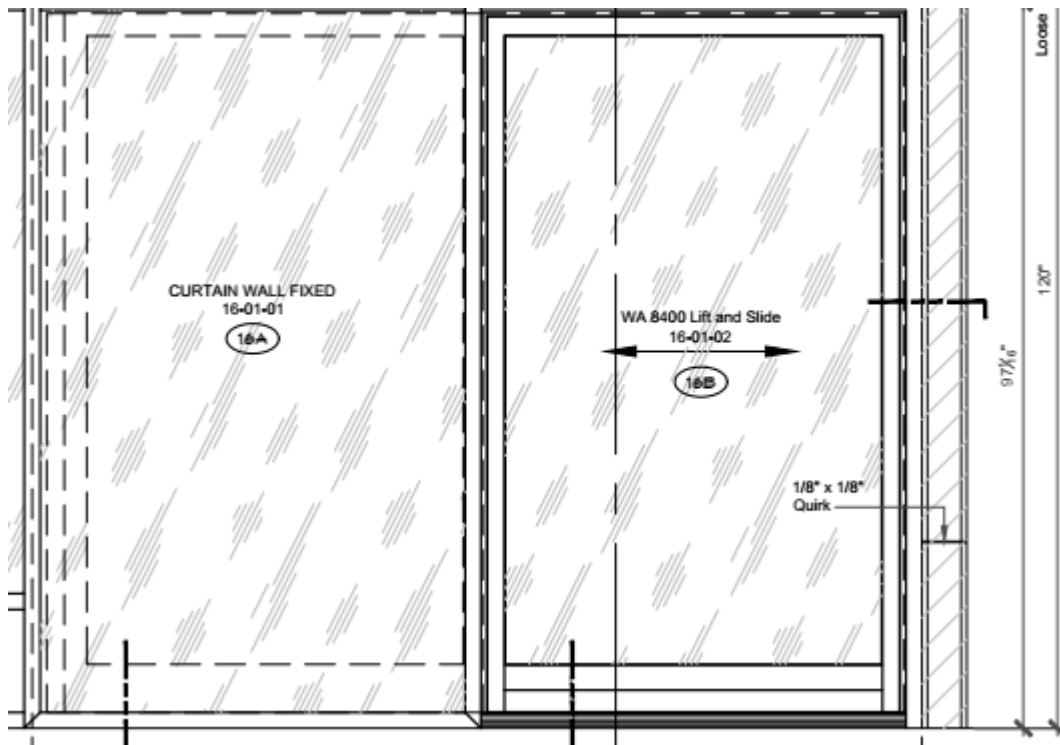




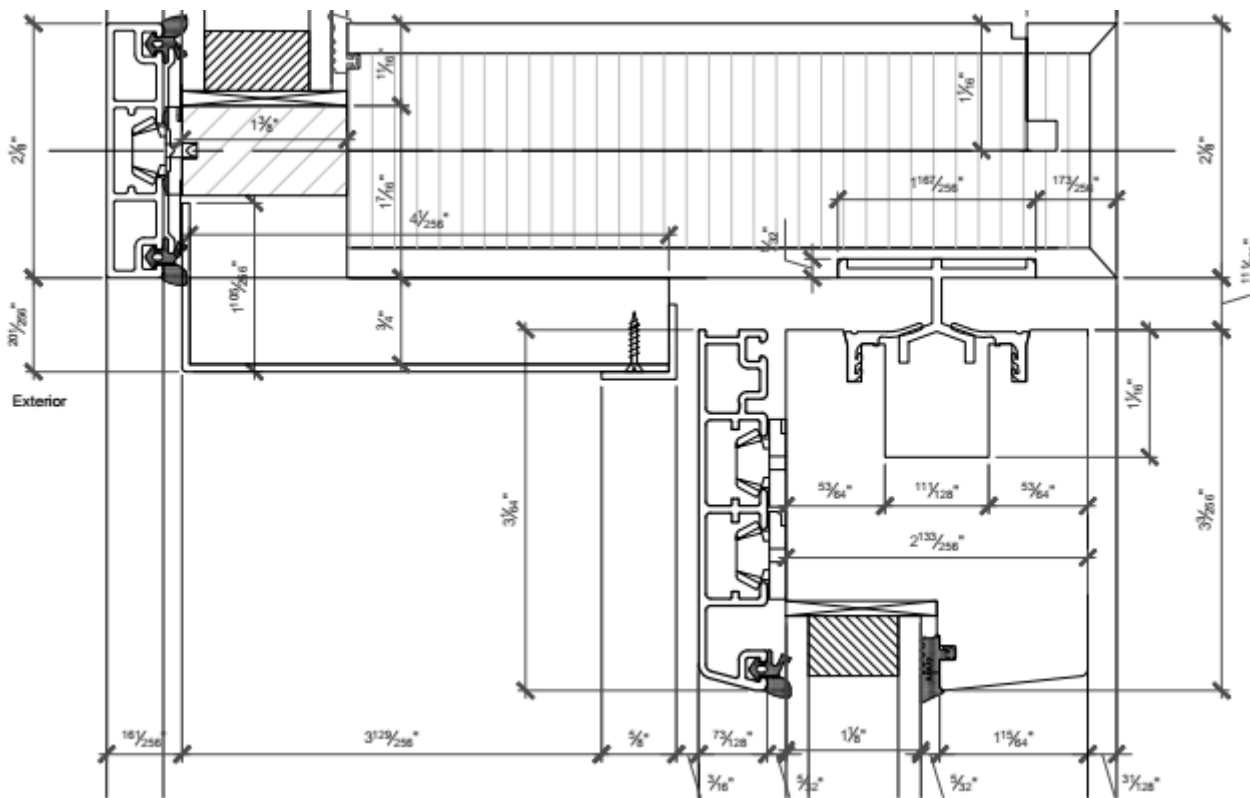
# Inswing/Outswing Pivot Door (WA8400) – Sill Detail



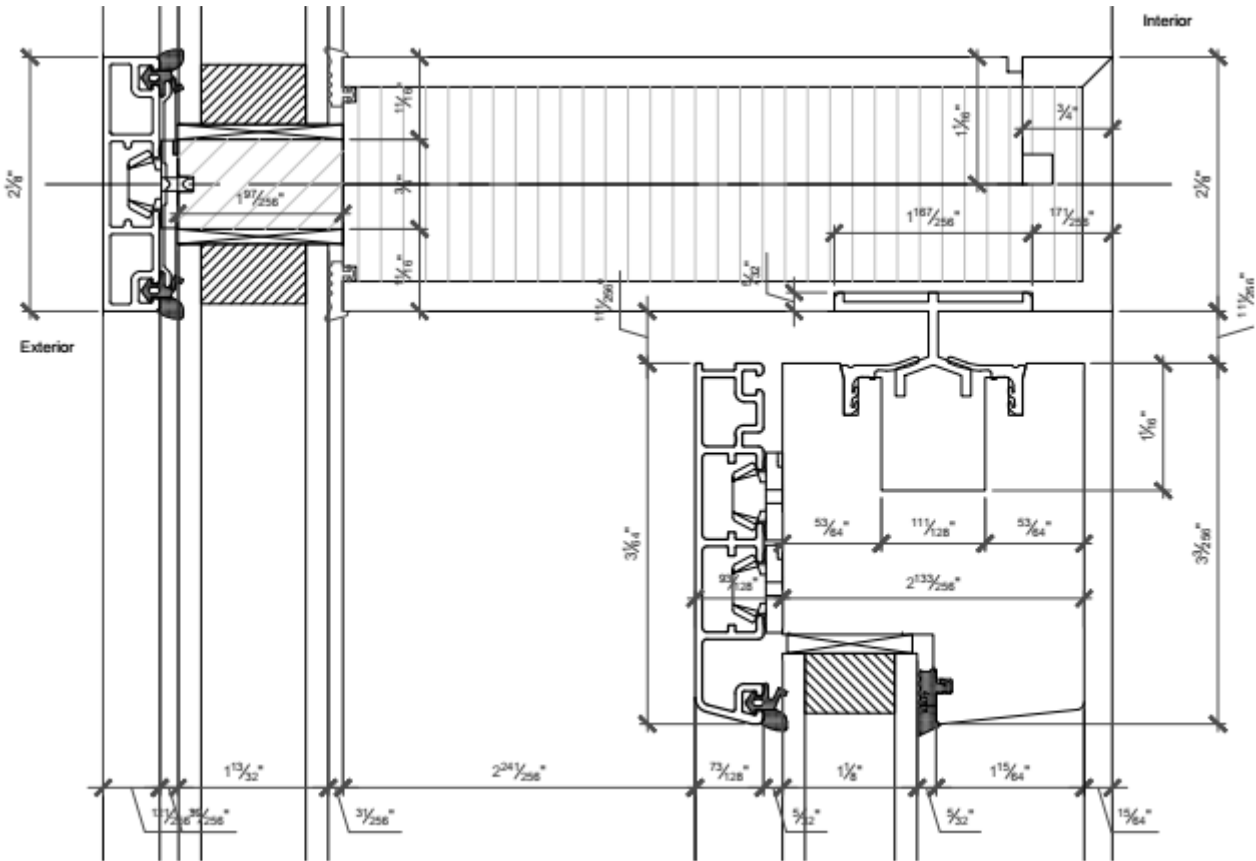
# Integrated WA8400 Lift & Slide (XO) – Exterior Elevation



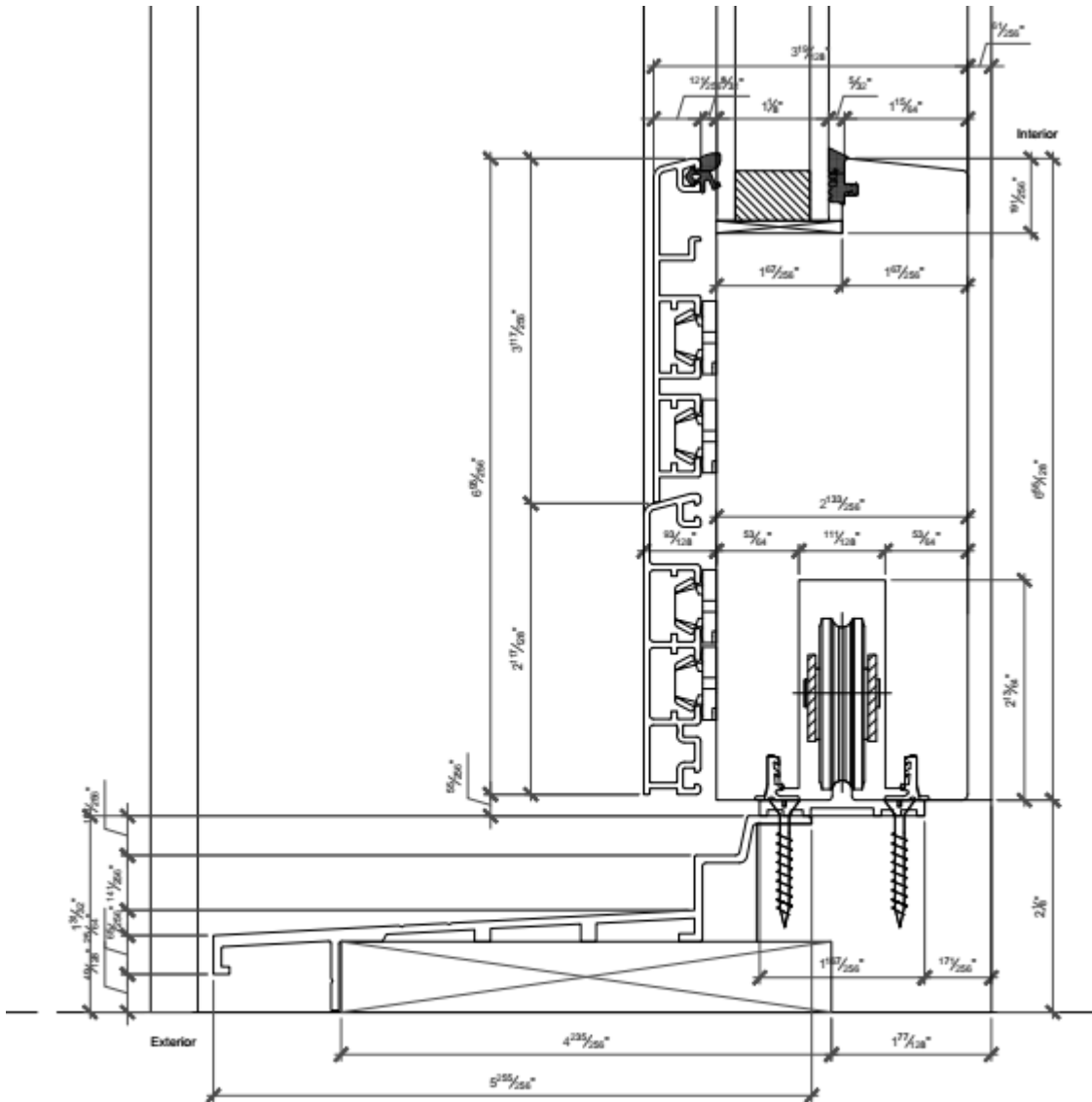
# Integrated WA8400 Lift & Slide (XO) – Head Detail @ Operable Panel



# Integrated WA8400 Lift & Slide (XO) – Head Detail @ Fixed Panel

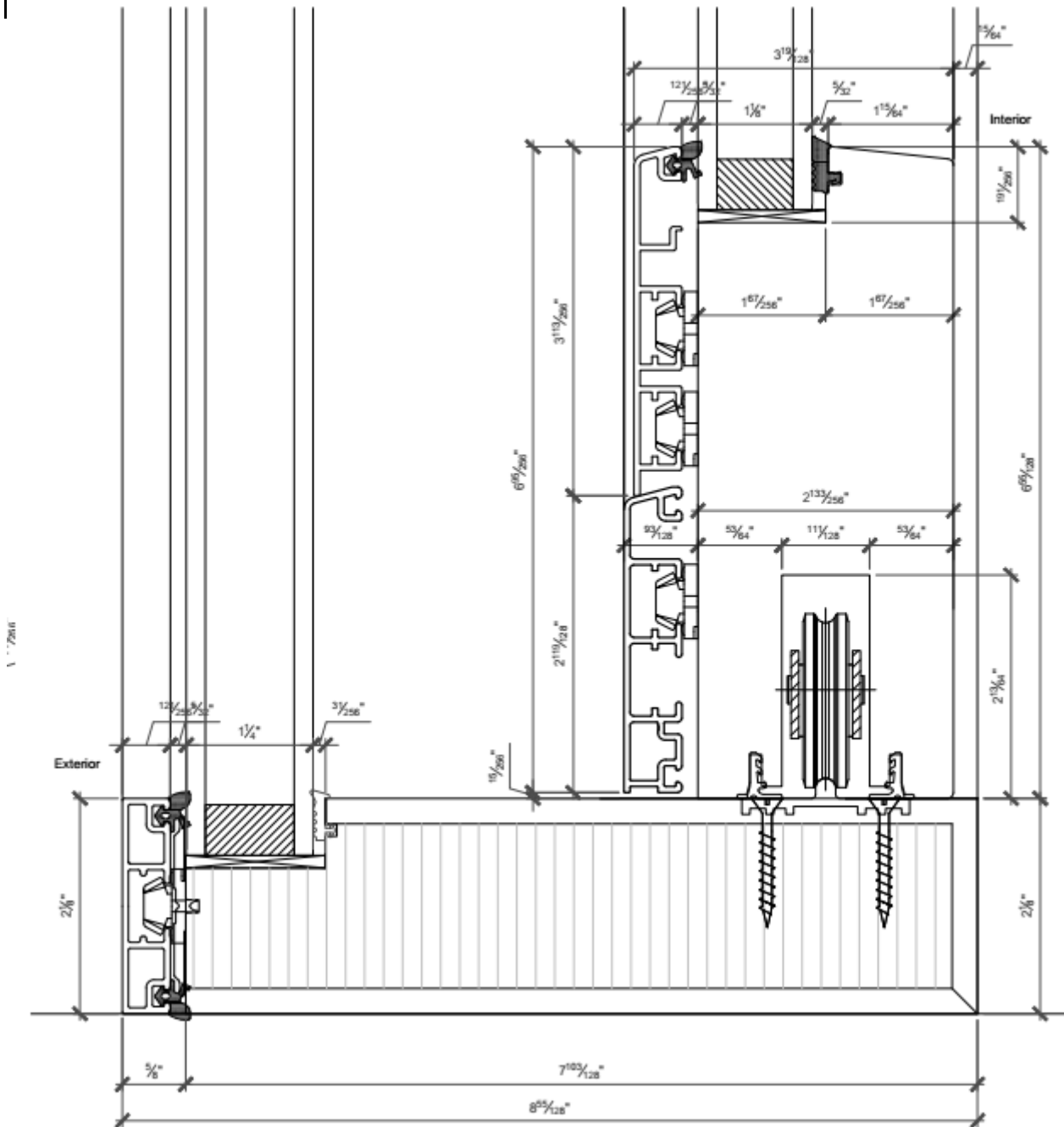


# Integrated WA8400 Lift & Slide (XO) – Sill Detail @ Operable Panel

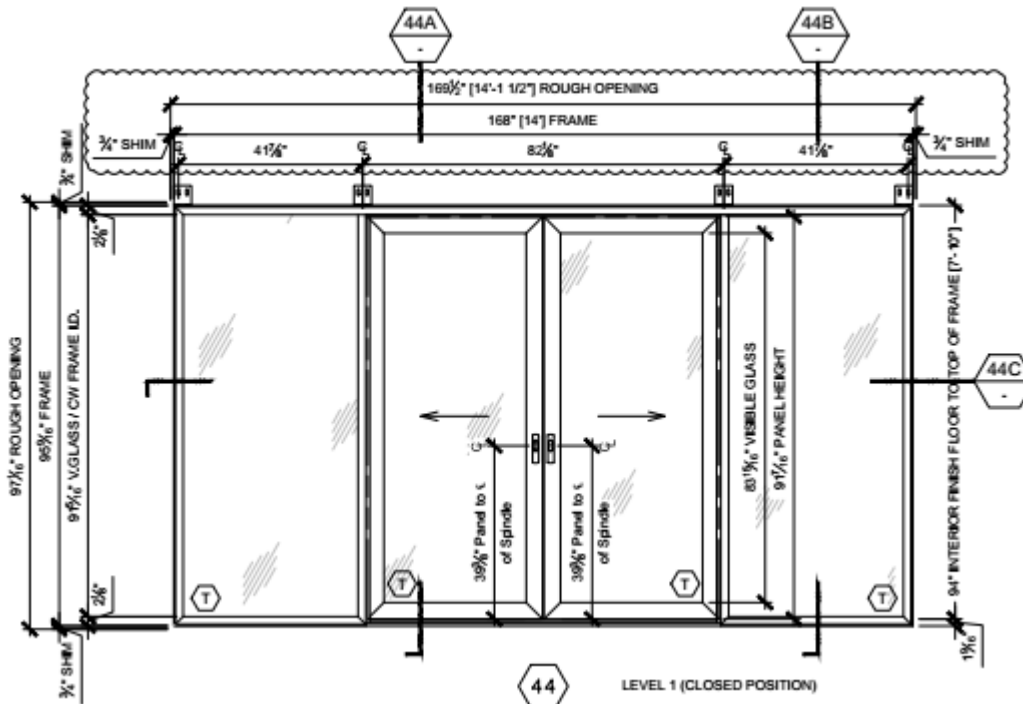


**Y** Enlarged Detail  
 WINDOW R. SCALE:

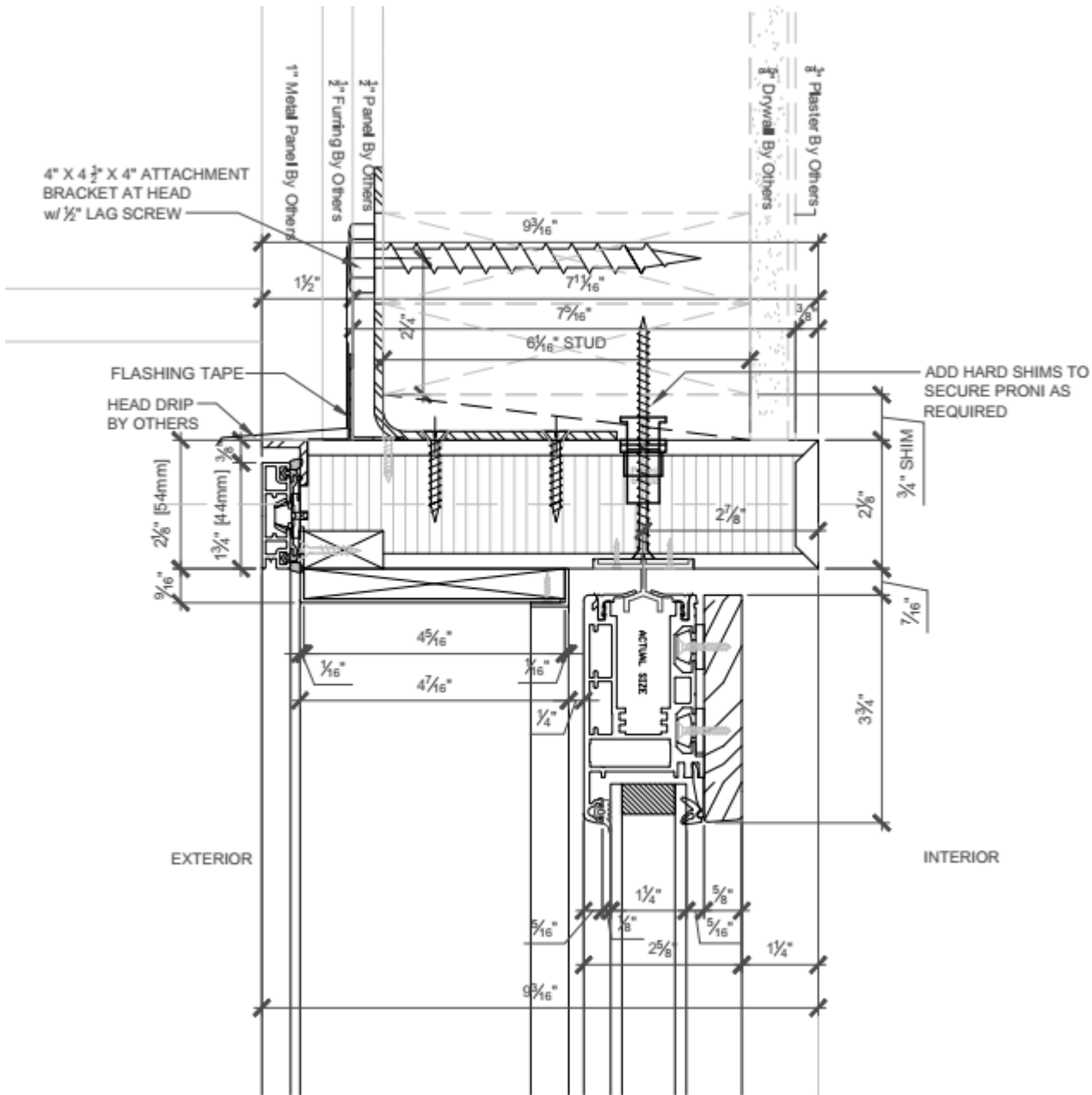
# Integrated WA8400 Lift & Slide (X0) – Sill Detail @ Fixed Panel



# Integrated AW6700 Lift & Slide (XO) - Exterior Elevation

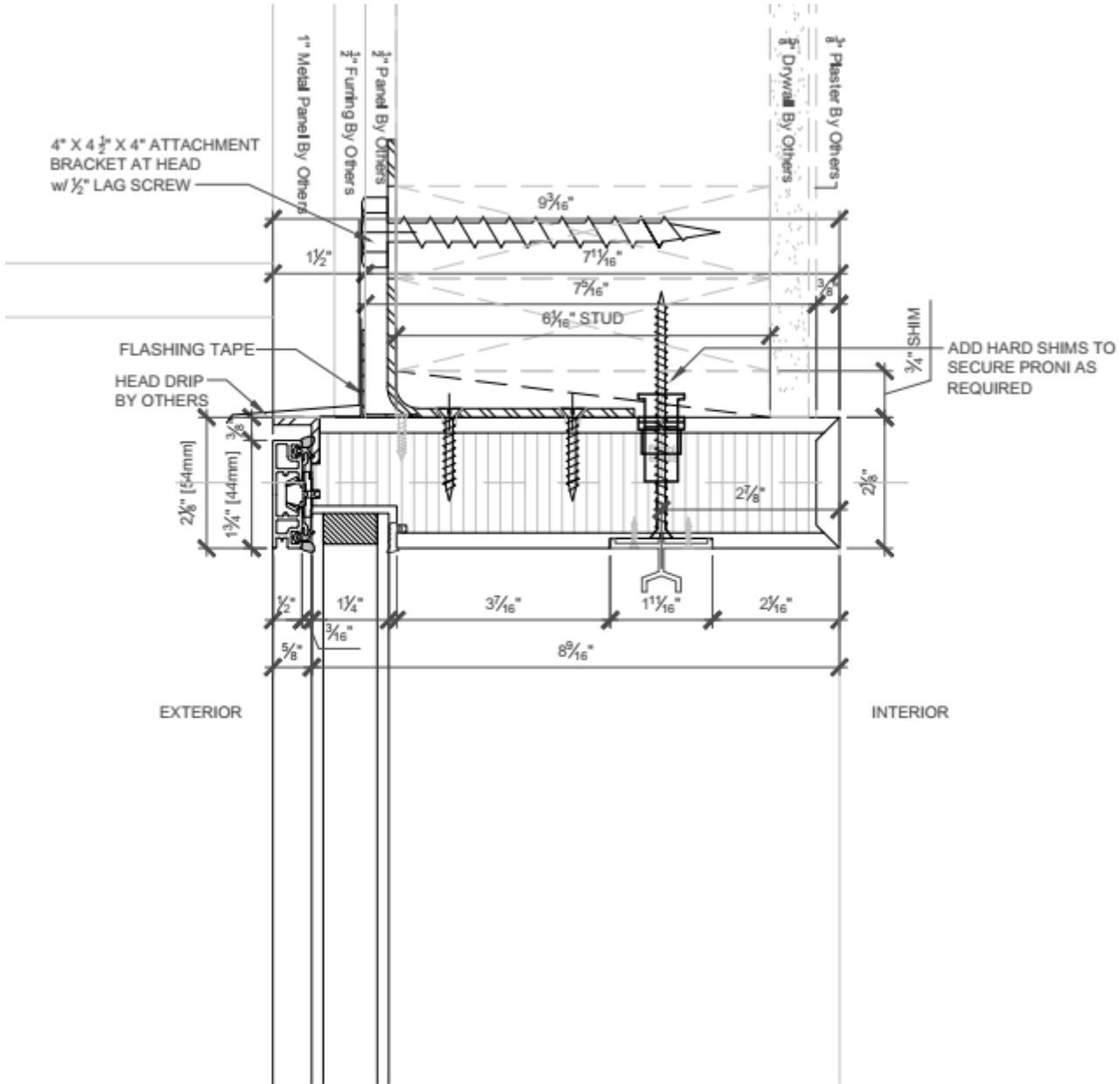


# Integrated AW6700 Lift & Slide (XO) – Head Detail @ Operable Panel

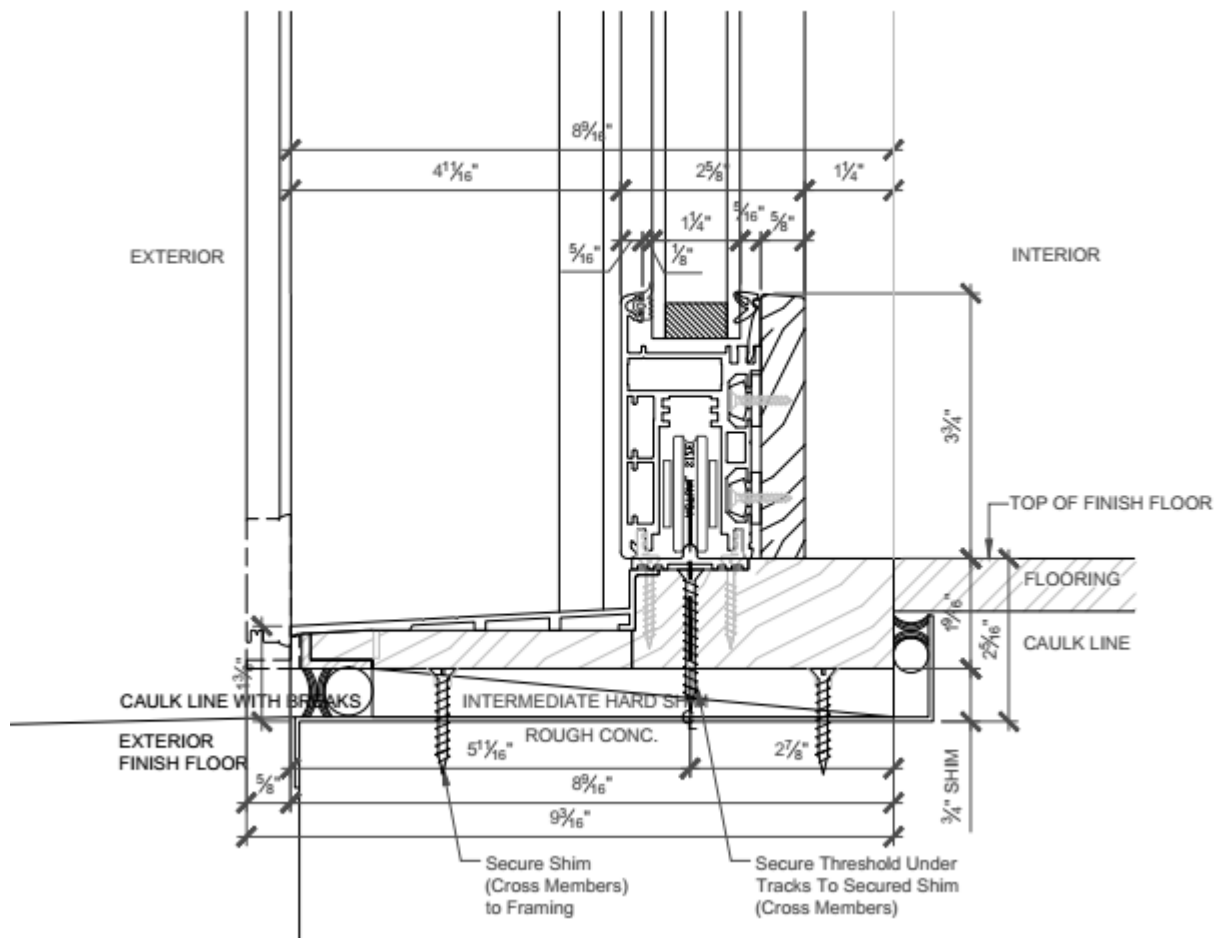




# Integrated AW6700 Lift & Slide (XO) – Head Detail @ Fixed Panel



# Integrated AW6700 Lift & Slide (XO) – Sill Detail @ Operable Panel



# Integrated AW6700 Lift & Slide (XO) – Sill Detail @ Fixed Panel

