



*by* PACIFIC ARCHITECTURAL MILLWORK

# **M-Series Fixed Window WA7000**

(rev. 02.06.18)

# M-Series Fixed Window WA7000

## Section Contents

Section Contents .....	1
Product Overview .....	2
Introduction .....	2
Wood Species .....	2
Glazing Options .....	2
Other Options .....	2
Product Parameters .....	2
Exterior Elevation .....	3
Head Detail .....	4
Sill Detail .....	5
Left/Right Jamb Detail .....	6
Traditional Vs. Contemporary Stop Detail .....	7
Contemporary SDL Detail .....	8

# Product Overview

## Introduction

The M-Series Fixed Window WA7000 (wood with exterior aluminum cladding) maintains the same sight lines as the rest of our operable M-Series window line, for consistency in layout and design.

The solid wood M-Series Fixed Window WA7000 is protected on the exterior with extruded aluminum cladding to minimize window maintenance, and has several finish option including custom color-matched Kynar™ (suitable for harsh coastal environments) and clear- or bronze-anodized. For light-control applications, a concealed roll screen option with opaque mesh is also available. The screen retracts into the top of the window when not in use to maximize your unobstructed view.

## Wood Species

Our standard wood species are the following:



- Pine
- Vertical Grain Douglas Fir
- African Mahogany

Ask for FSC®-certified products. Alternative and exotic wood species are also available.

## Glazing Options

Standard glazing for the M-Series Fixed Window WA7000 is 1 1/8" overall insulated glass.

Custom glazing and tinted glass are available.

## Other Options

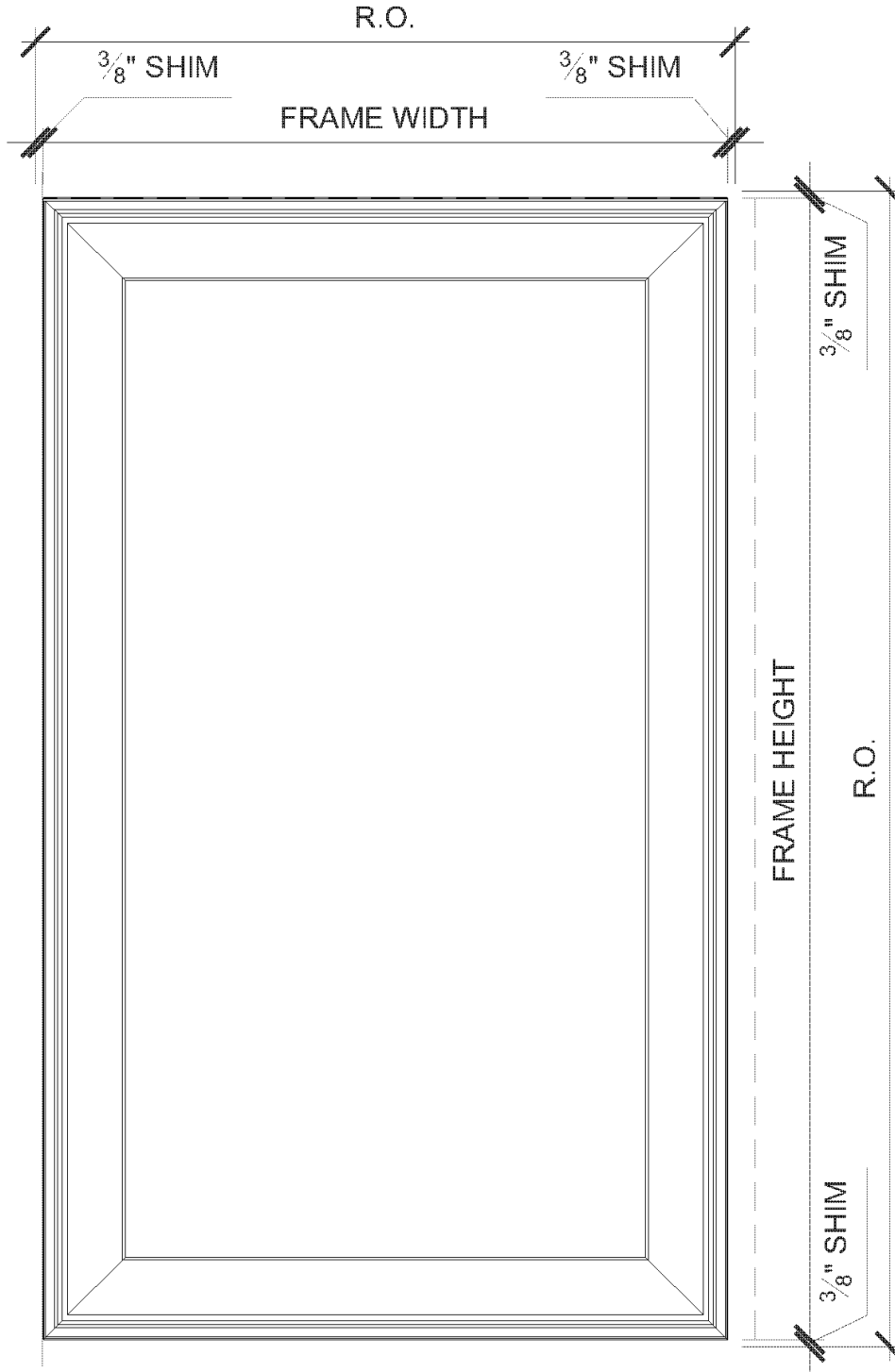
The M-Series Fixed Window WA7000 can be purchased with additional options such as concealed roll screens, jamb extensions, and divided lites. It can also be mulled to a variety of other Reveal products for consistency of sightlines and design.

Contact Reveal Windows & Doors for additional options and customization.

## Product Parameters

<b>Min Frame Height</b>	12"
<b>Max Frame Height</b>	144" (Dependant on Height/Width and Glass Size)
<b>Min Frame Width</b>	12"
<b>Max Frame Width</b>	144" (Dependant on Height/Width and Glass Size)
<b>Stile Width</b>	3"
<b>Min Jamb Depth</b>	4" (behind nail fin)
<b>Sash Thickness</b>	2-3/4"
<b>Edge Detail</b>	<ul style="list-style-type: none"> <li>• Exterior: Contemporary</li> <li>• Interior: Traditional or Contemporary*</li> </ul> <p>*Adding Contemporary or Traditional grids to the window will require Contemporary edge detail</p>

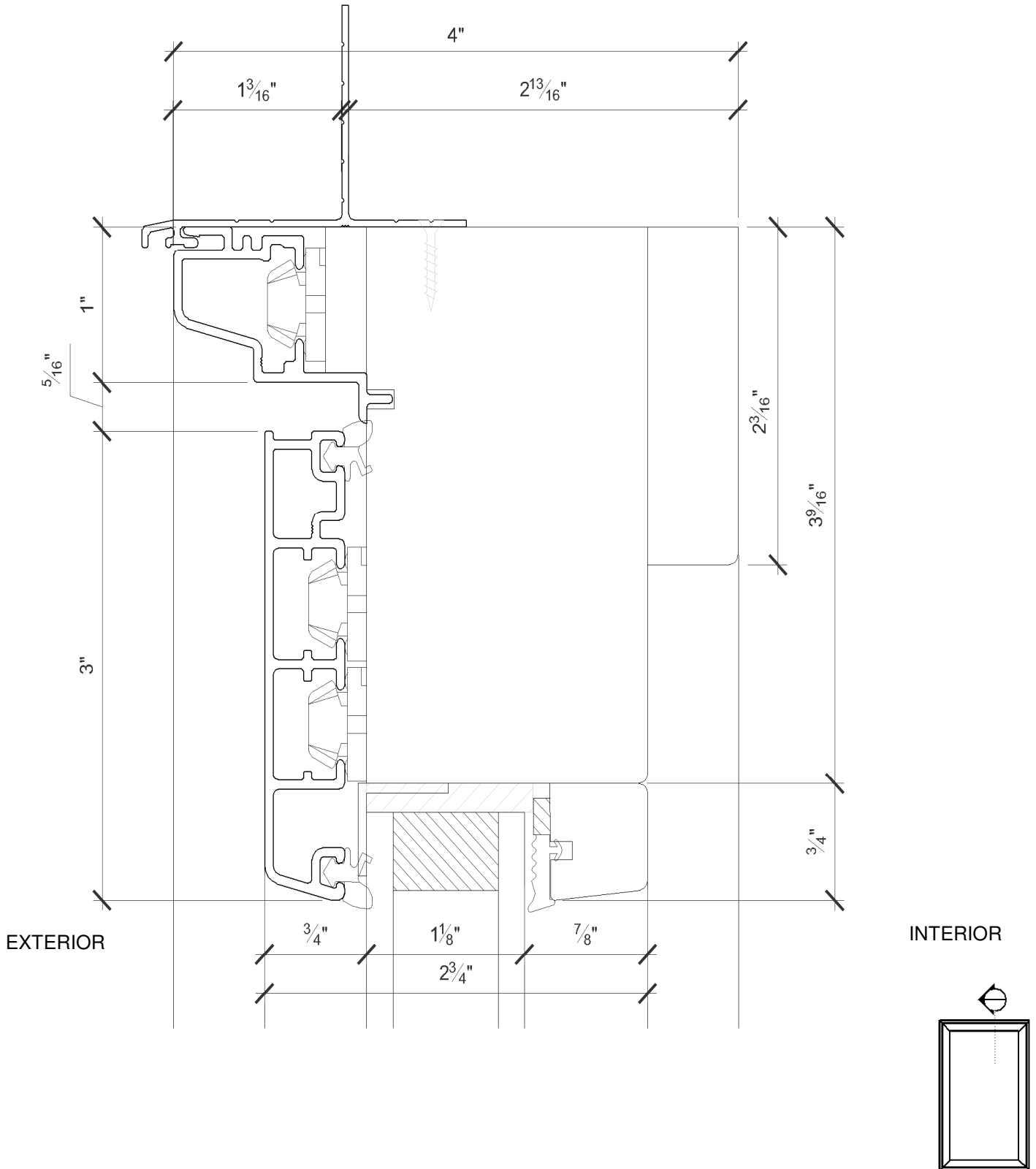
# Exterior Elevation



# M-Series Fixed Window WA7000

(rev. 02.06.18)

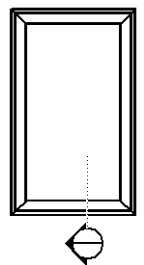
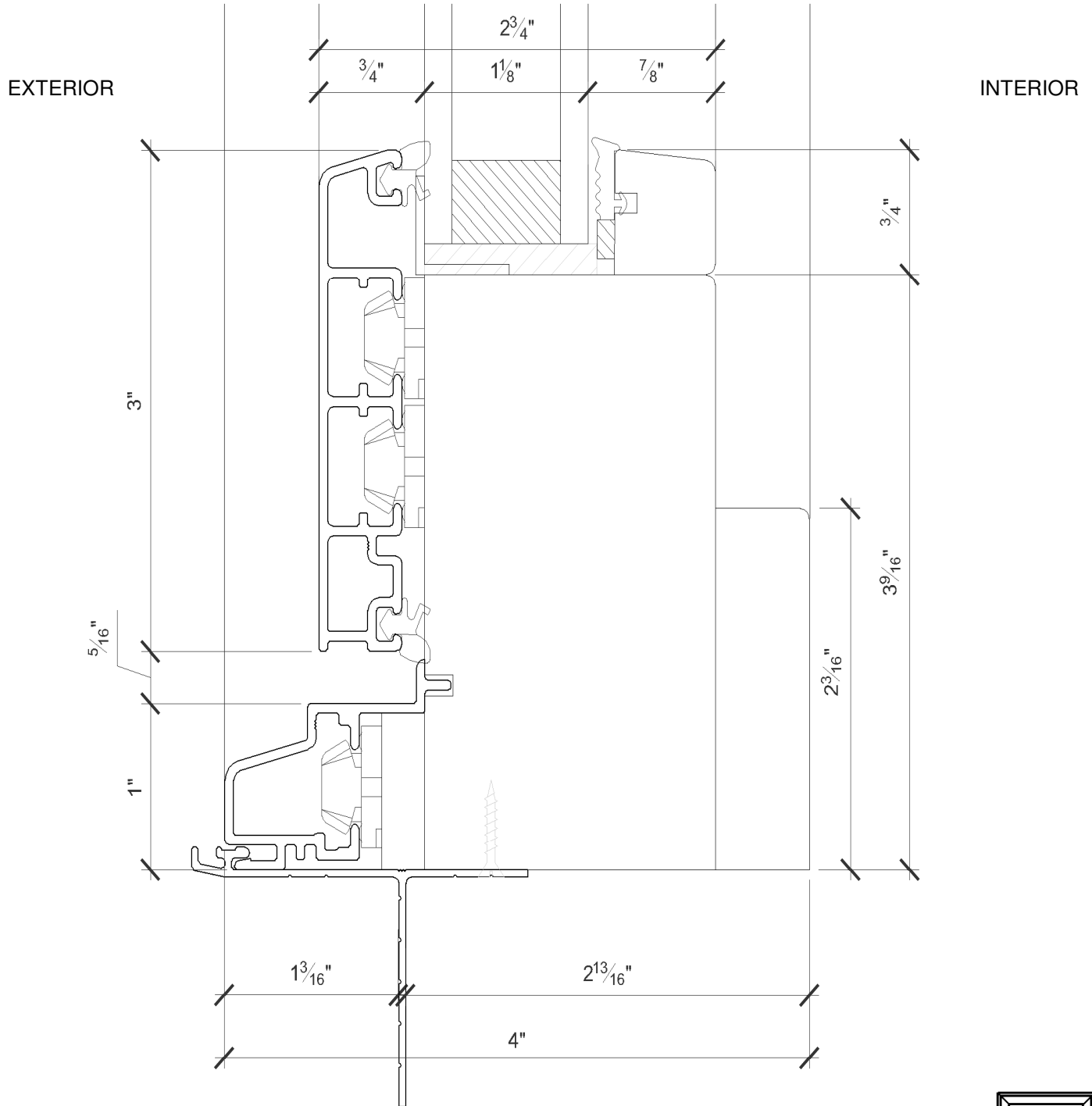
## Head Detail



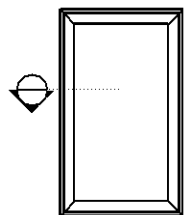
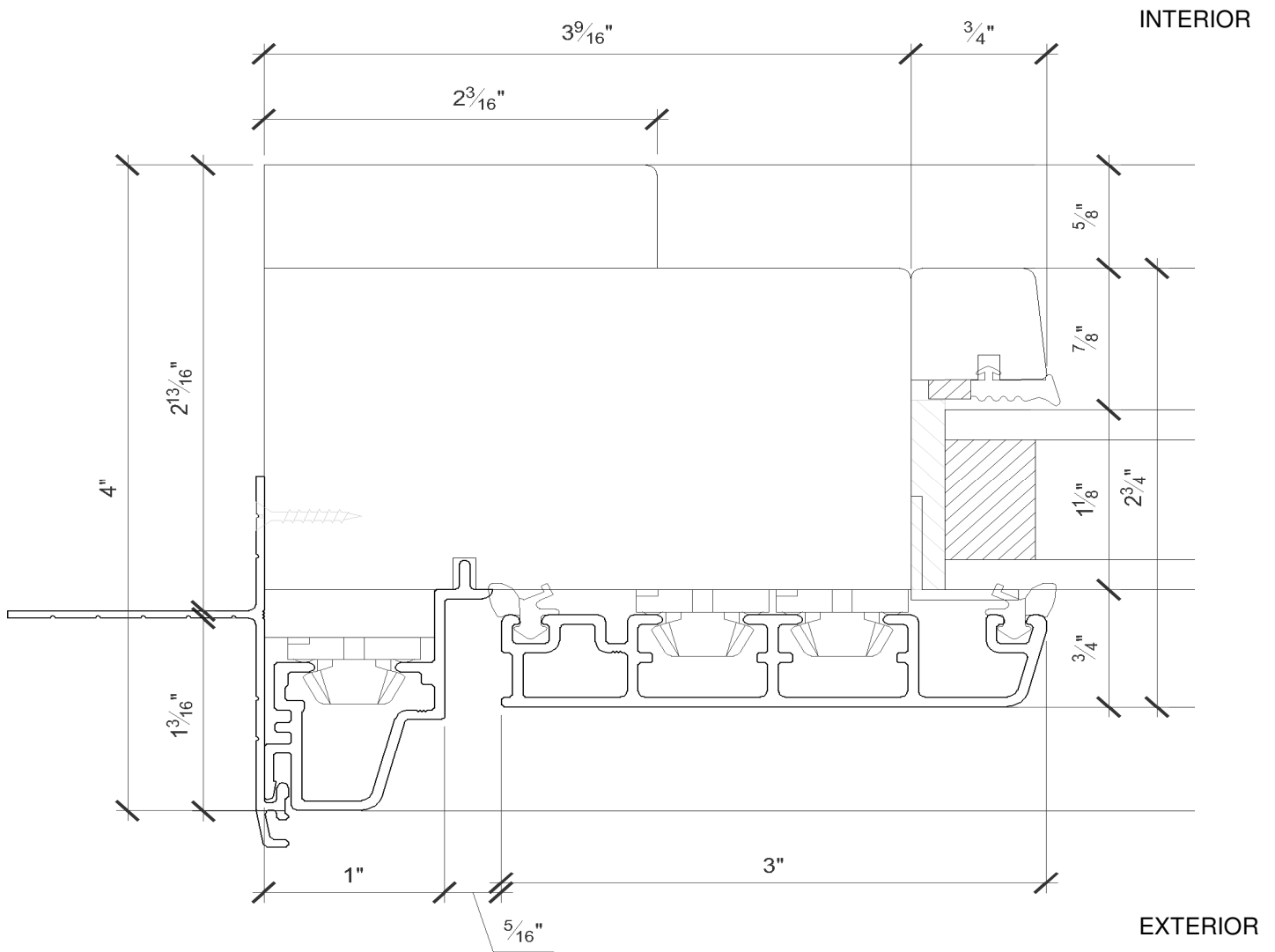
# M-Series Fixed Window WA7000

(rev. 02.06.18)

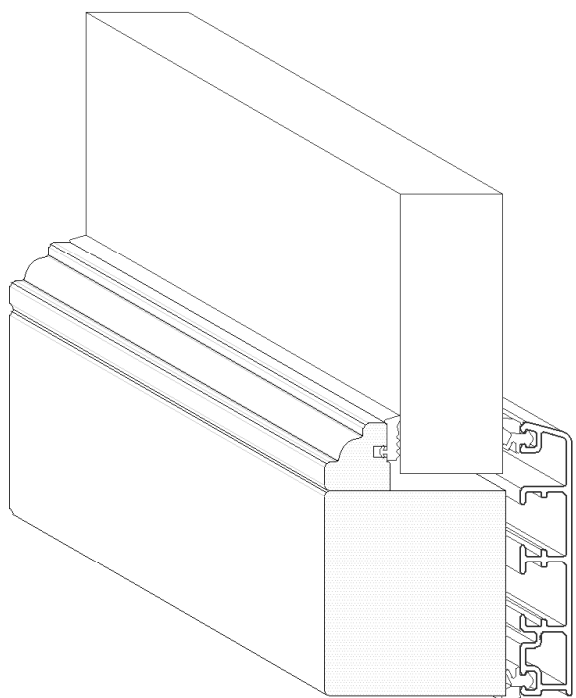
## Sill Detail



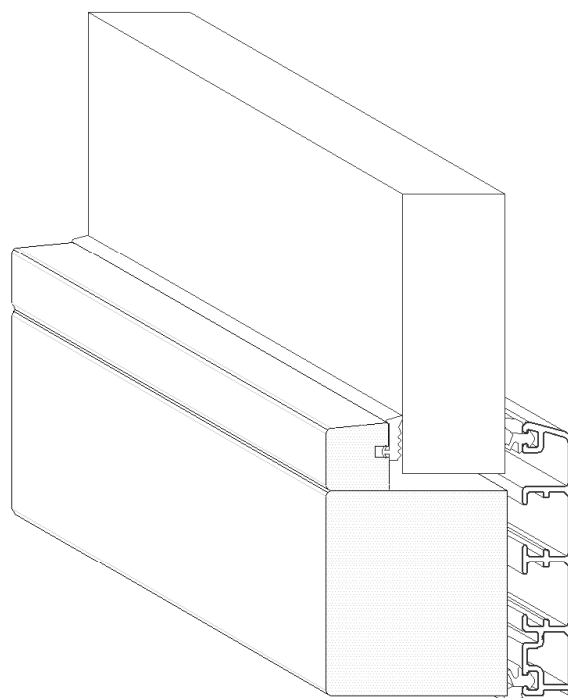
# Left/Right Jamb Detail



# Traditional Vs. Contemporary Stop Detail



TRADITIONAL



CONTEMPORARY



# Contemporary SDL Detail

