



by PACIFIC ARCHITECTURAL MILLWORK

M-Series Casement W6400

(rev. 02.06.18)

Copyright © 2018 Reveal Windows & Doors
All rights reserved. No part of this manual may be reproduced or transmitted in any
form or by any means without permission by Reveal Windows & Doors.

M-Series Casement W6400

Section Contents

Section Contents	1
Product Overview	2
Introduction	2
Wood Species	2
Glazing Options	2
Other Options	2
Product Parameters	3
Hardware Images	3
Exterior Elevation	4
Head Detail	5
Head Detail (with Roll Screen)	6
Sill Detail	7
Sill Detail (with Roll Screen)	8
Left Jamb Detail	9
Left Jamb Detail (with Roll Screen)	10
Right Jamb Detail	11
Right Jamb Detail (with Roll Screen)	12

Product Overview



Introduction

The M-Series Casement W6400 (all-wood) offers modern functionality on a classic window while maintaining Reveal Windows & Doors commitment to superior quality with optimal performance. The durable stainless steel friction hinges remove the need for traditional rotary hardware allowing the M-Series Casement W6400 to be opened from the side with a smooth push-out motion. Our M-Series Casement W6400 is available with different glazing options for unique looks and maximum acoustical and insulating performance.

Wood Species

Our standard wood species are the following:



The mark of
responsible forestry

- Pine
- Vertical Grain Douglas Fir
- African Mahogany

Alternative and exotic wood species are also available. See the Wood Species page in the General Info section.

Other Options

The M-Series Casement W6400 can be purchased with additional options such as concealed roll screens, custom hardware, egress hinges and/or divided lites.

Contact Reveal Windows & Doors for additional options and customization.

Glazing Options

Standard glazing for the M-Series Casement W6400 is 1" overall insulated glass.

Custom glazing and tinted glass are available.

M-Series Casement W6400

(rev. 02.06.18)

Product Parameters

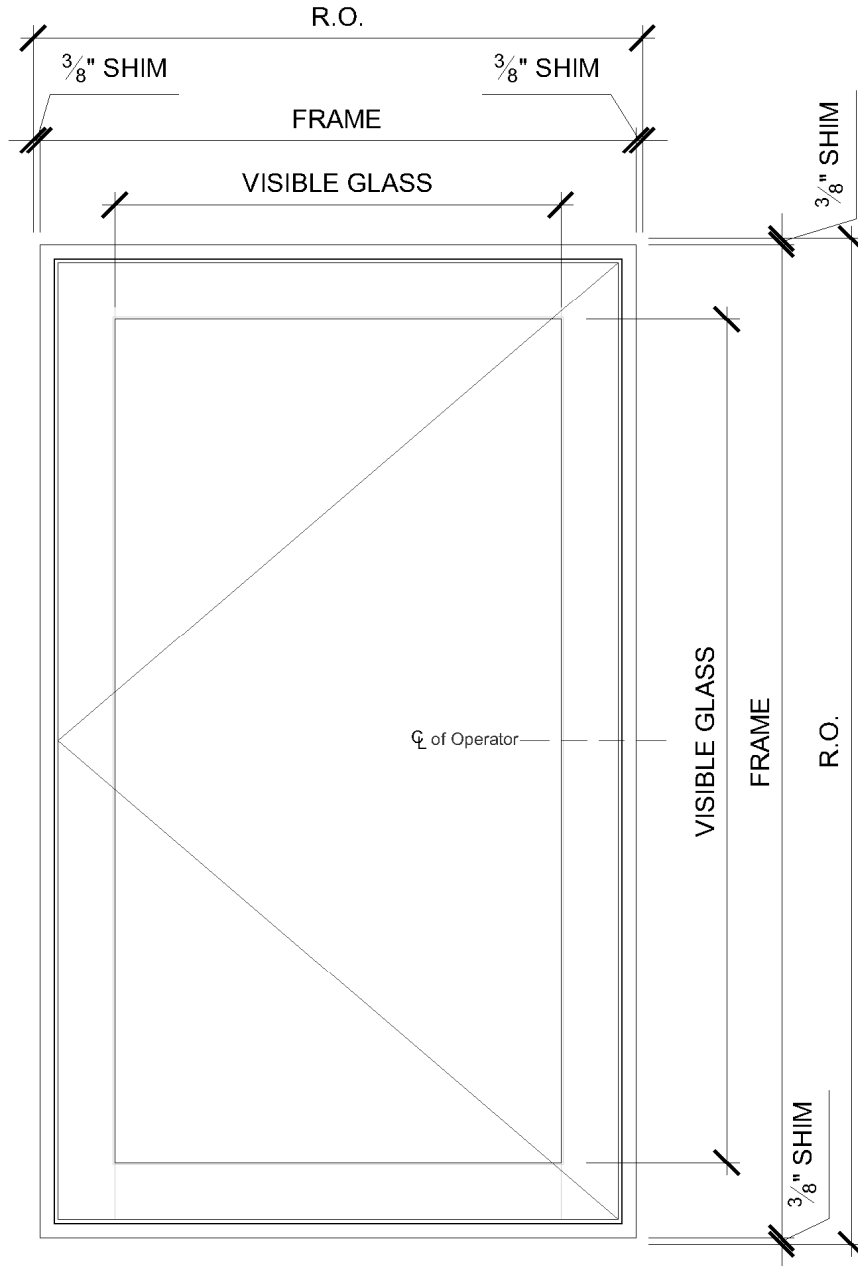
Min Frame Height	14"
Max Frame Height	92"
Min Frame Width	14"
Max Frame Width	42"
Min Stile Width	3-7/16"
Min Jamb Depth	3-5/8"
Sash Thickness	2-1/2"
Edge Detail	<ul style="list-style-type: none"> Interior/Exterior: Traditional or Contemporary edge detail

Hardware Images

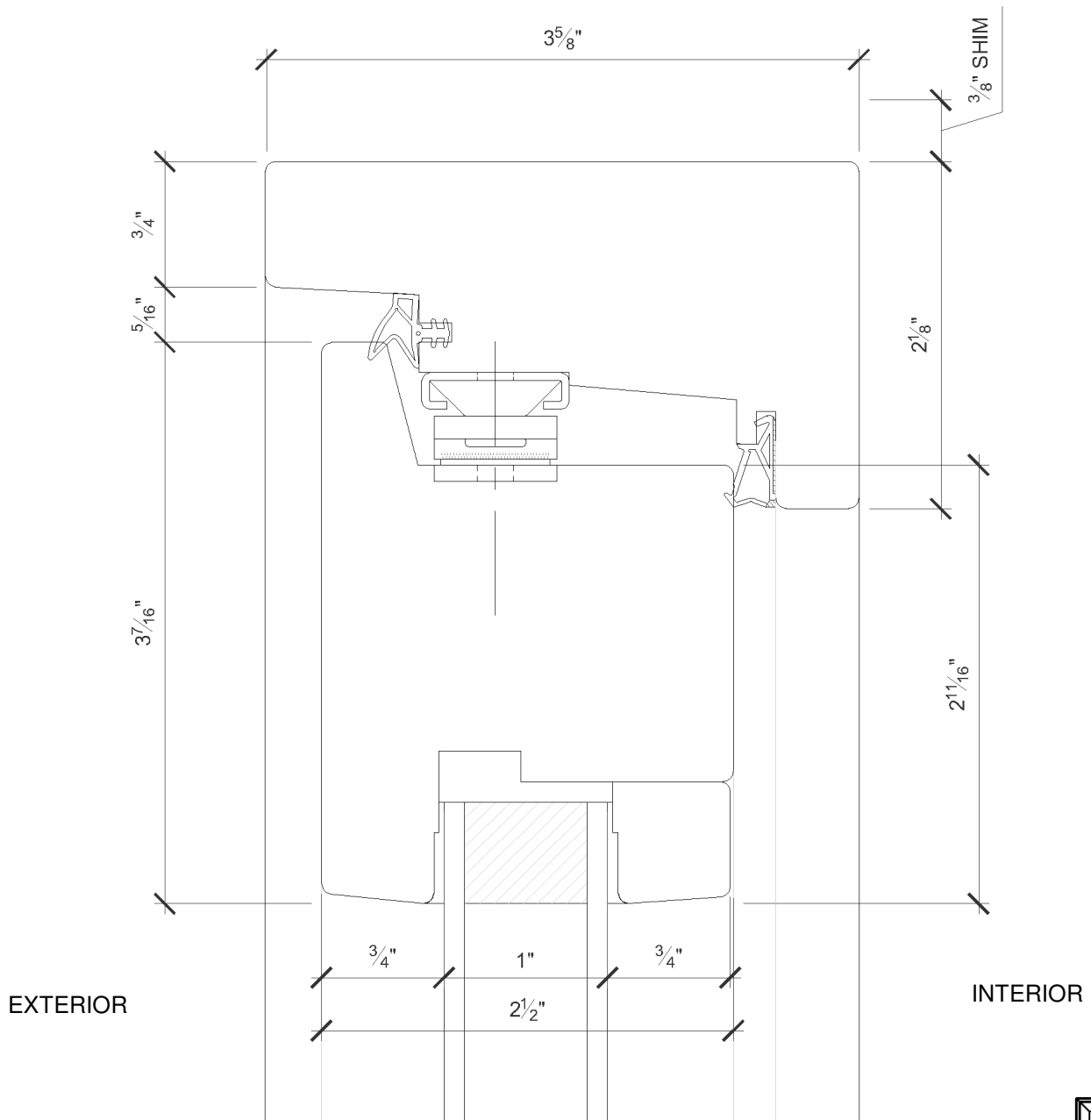
	
<p>London Handle (Standard)</p> <ul style="list-style-type: none"> Silver Grey Brown Traffic White 	<p>Verona Handle</p> <ul style="list-style-type: none"> Polished Brass Antique Brass Brushed Chrome Polished Chrome Oil-Rubbed Brass Pure White Matte Black Satin Nickel Antique Nickel

Custom hardware and handles are also available.

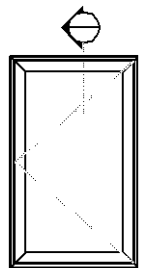
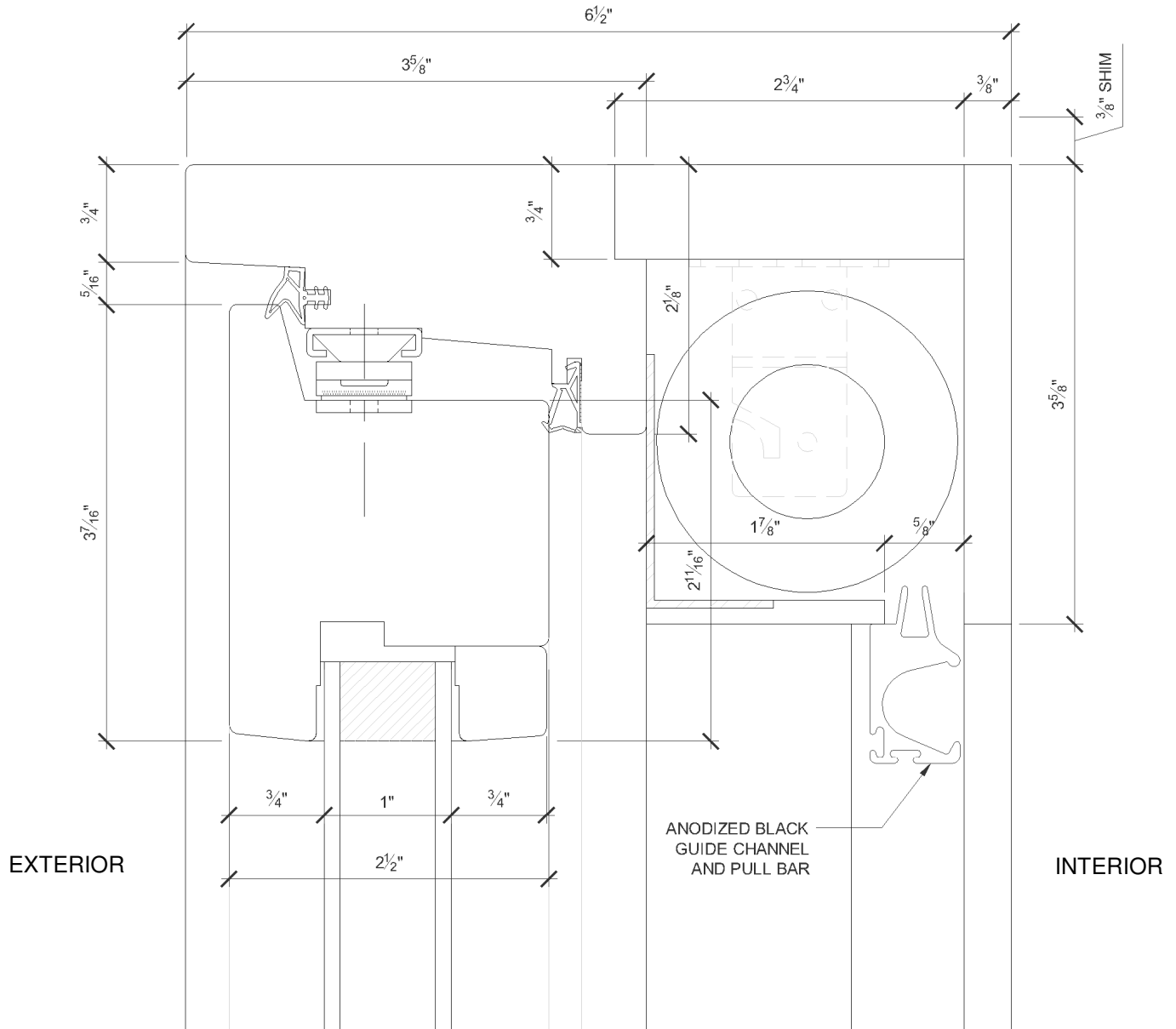
Exterior Elevation



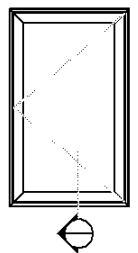
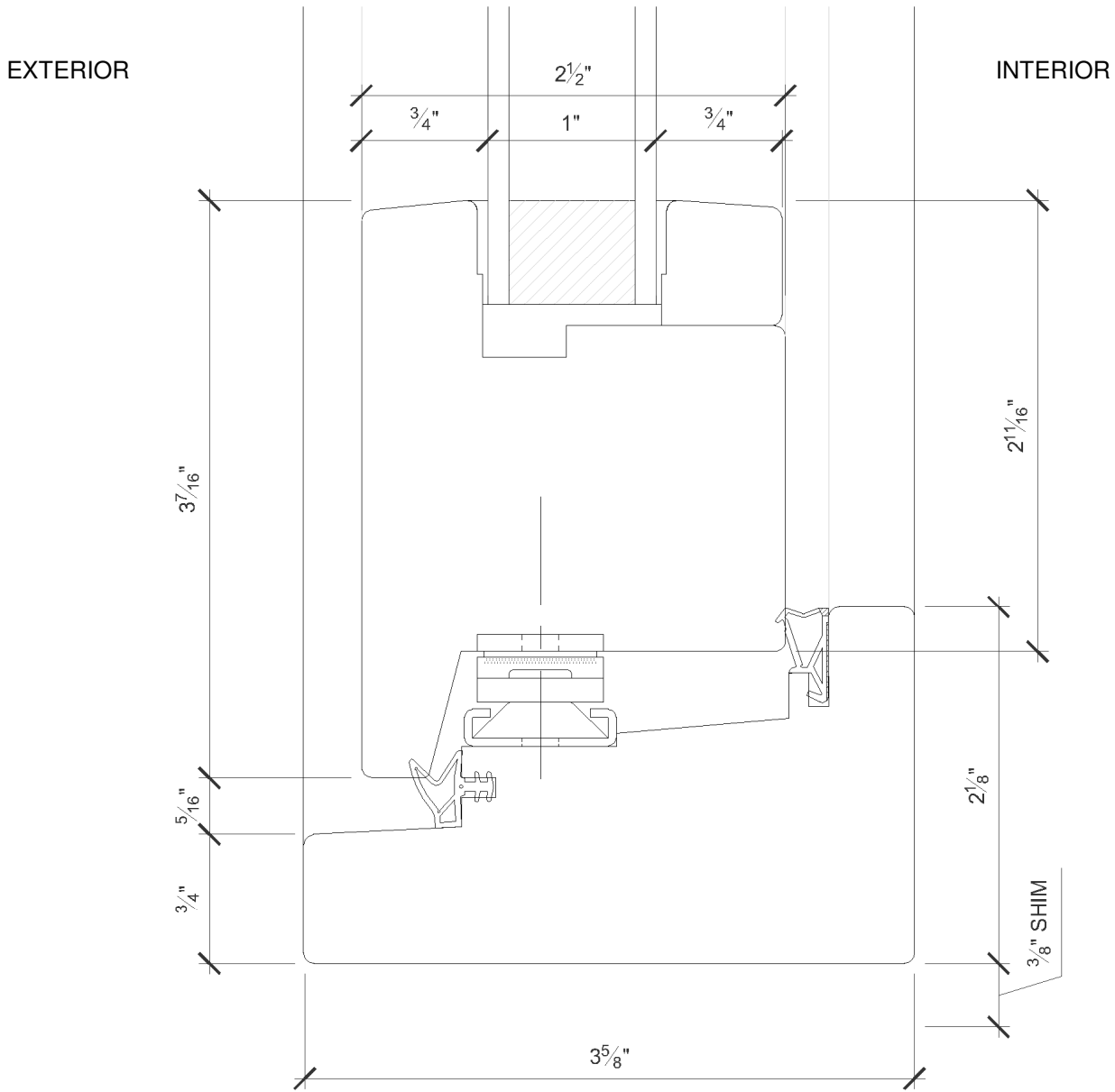
Head Detail



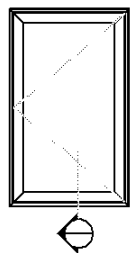
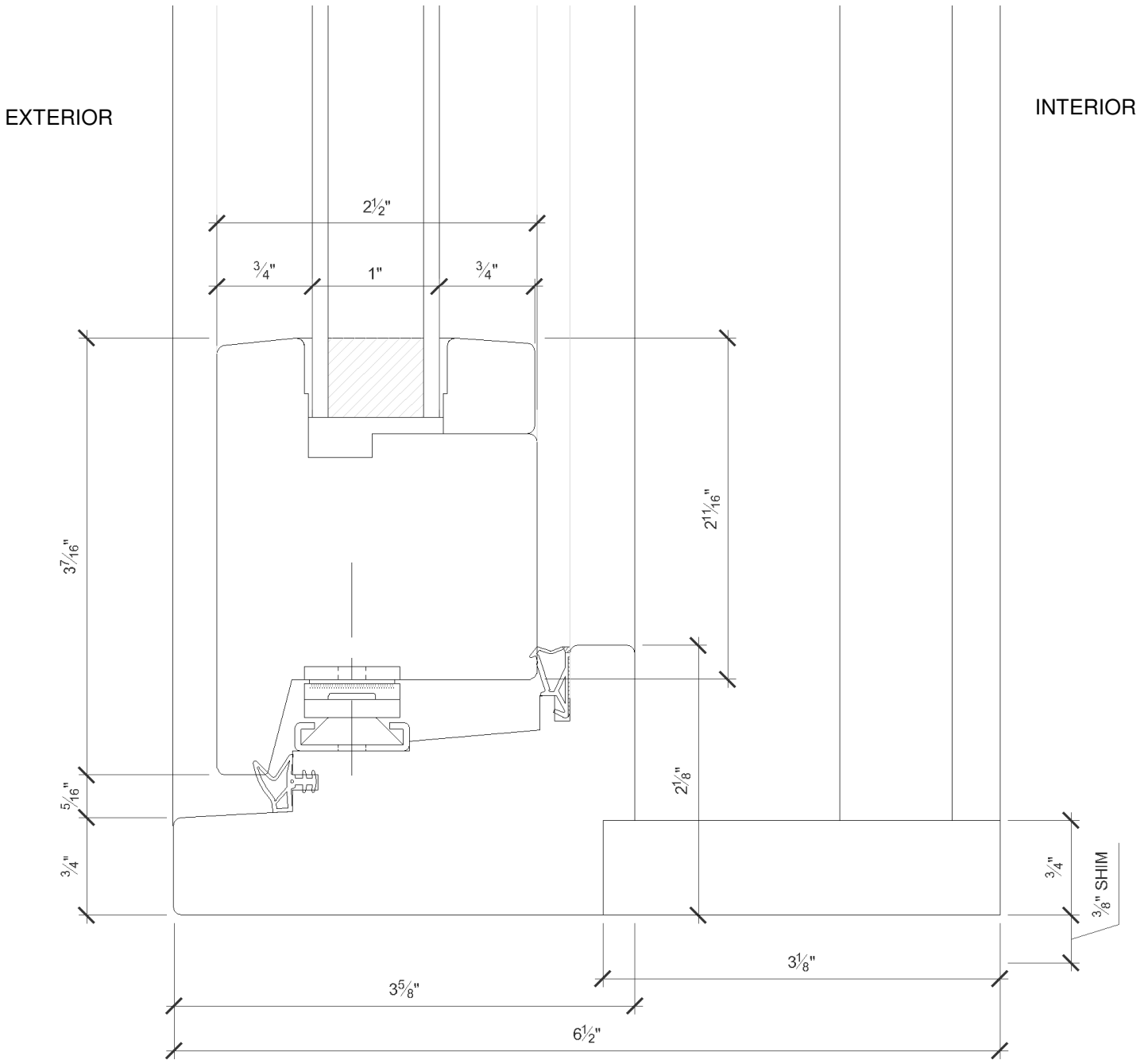
Head Detail (with Roll Screen)



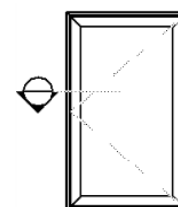
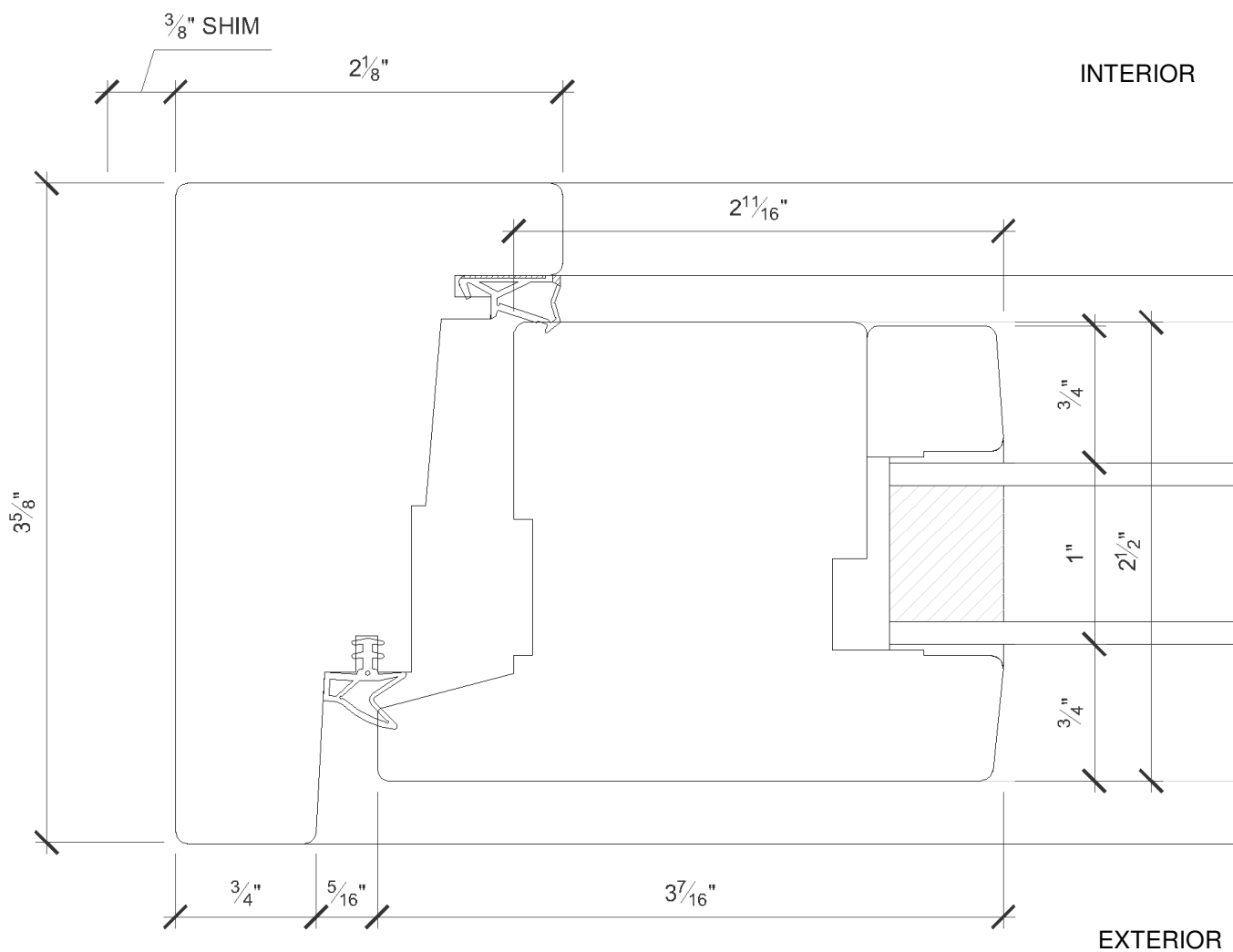
Sill Detail



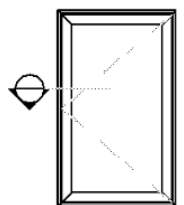
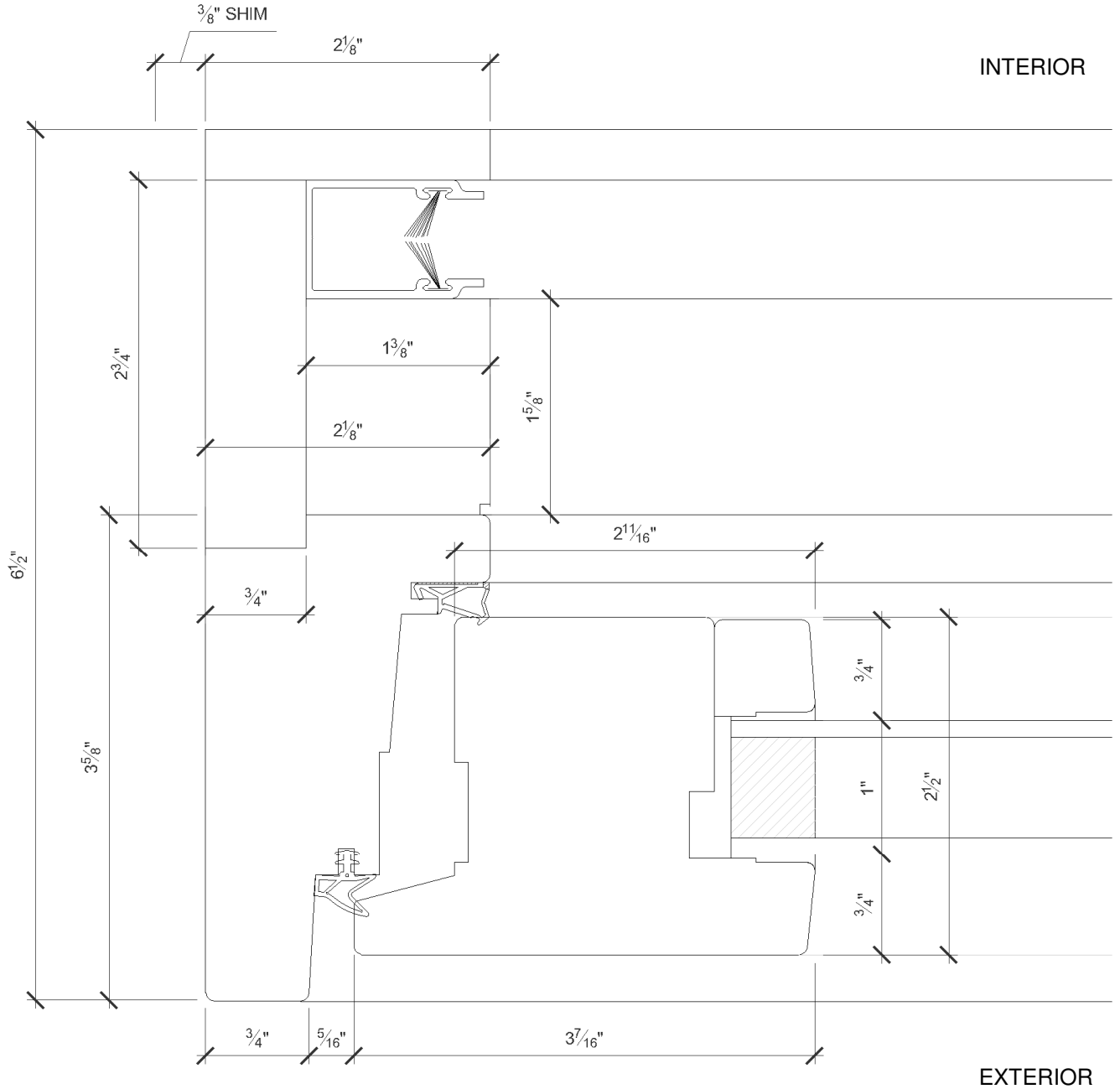
Sill Detail (with Roll Screen)



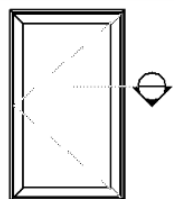
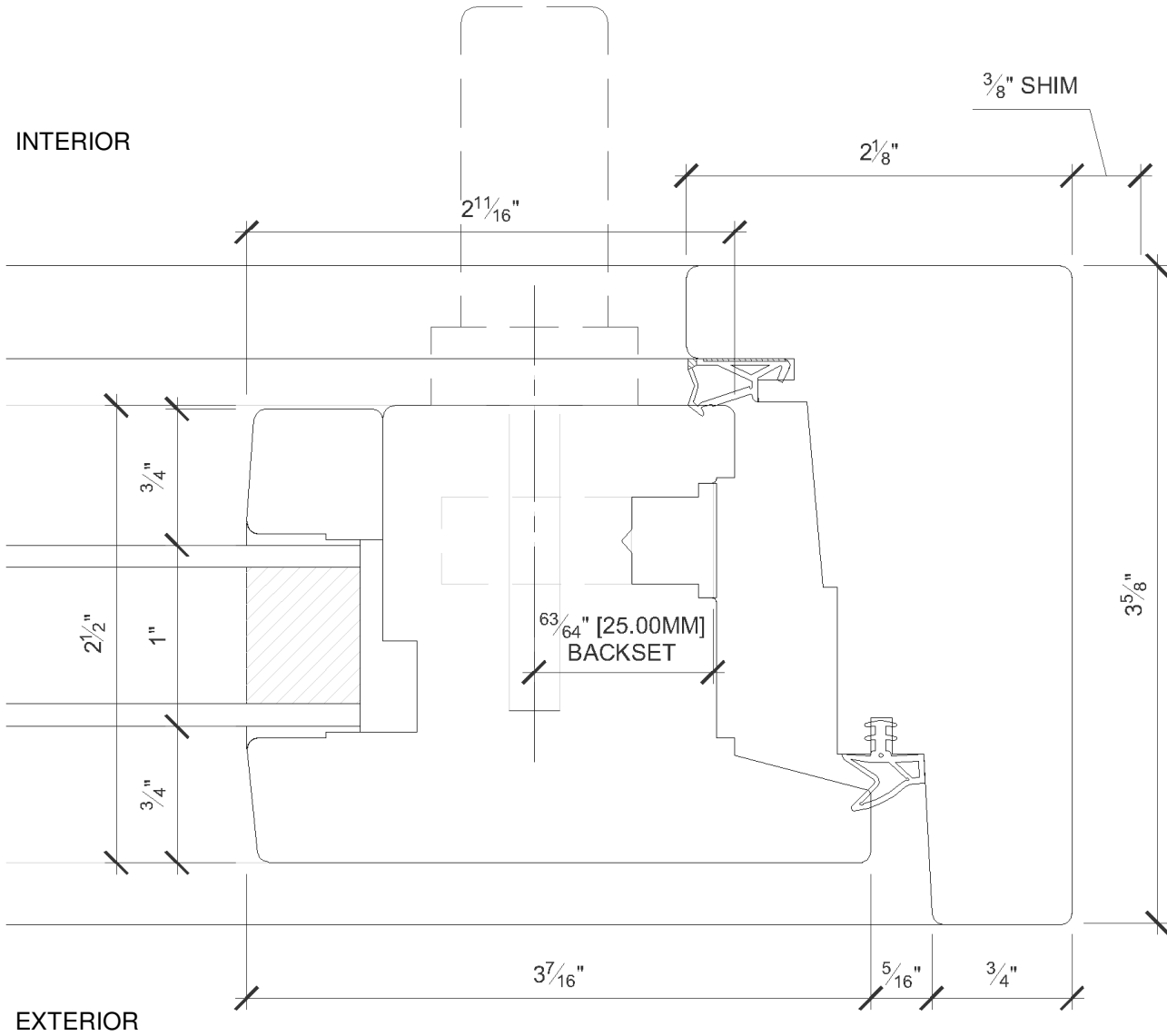
Left Jamb Detail



Left Jamb Detail (with Roll Screen)



Right Jamb Detail



Right Jamb Detail (with Roll Screen)

