



by PACIFIC ARCHITECTURAL MILLWORK

M-Series Awning W6400

(rev. 02.06.18)

Copyright © 2018 Reveal Windows & Doors
All rights reserved. No part of this manual may be reproduced or transmitted in any
form or by any means without permission by Reveal Windows & Doors.

M-Series Awning W6400

Section Contents

Section Contents	1
Product Overview	2
Introduction	2
Wood Species	2
Glazing Options	2
Other Options	2
Product Parameters	3
Hardware Images	3
Exterior Elevation	4
Head Detail	5
Head Detail (with Roll Screen)	6
Sill Detail	7
Sill Detail (with Roll Screen)	8
Typical Jamb Detail	9
Typical Jamb Detail (with Roll Screen)	10

Product Overview



Introduction

The M-Series Awning W6400 (all-wood) offers modern functionality on a classic window while maintaining Reveal Windows & Doors commitment to superior quality with optimal performance. The durable stainless steel friction hinges remove the need for traditional rotary hardware, allowing the M-Series Awning W6400 to swing out from the bottom with a smooth push-out motion. Our M-Series Awning W6400 is available with different glazing options for unique looks and maximum acoustical and insulating performance.

Wood Species

Our standard wood species are the following:



- Pine
- Vertical Grain Douglas Fir
- African Mahogany

Alternative and exotic wood species are also available. See the Wood Species page in the General Info section.

Other Options

The M-Series Awning W6400 can be purchased with additional options such as concealed roll screens, custom hardware, egress hinges and/or divided lites.

Contact Reveal Windows & Doors for additional options and customization.

Glazing Options

Standard glazing for the M-Series Awning W6400 is 1" overall insulated glass.

Custom glazing and tinted glass are available.

M-Series Awning W6400

(rev. 02.06.18)

Product Parameters

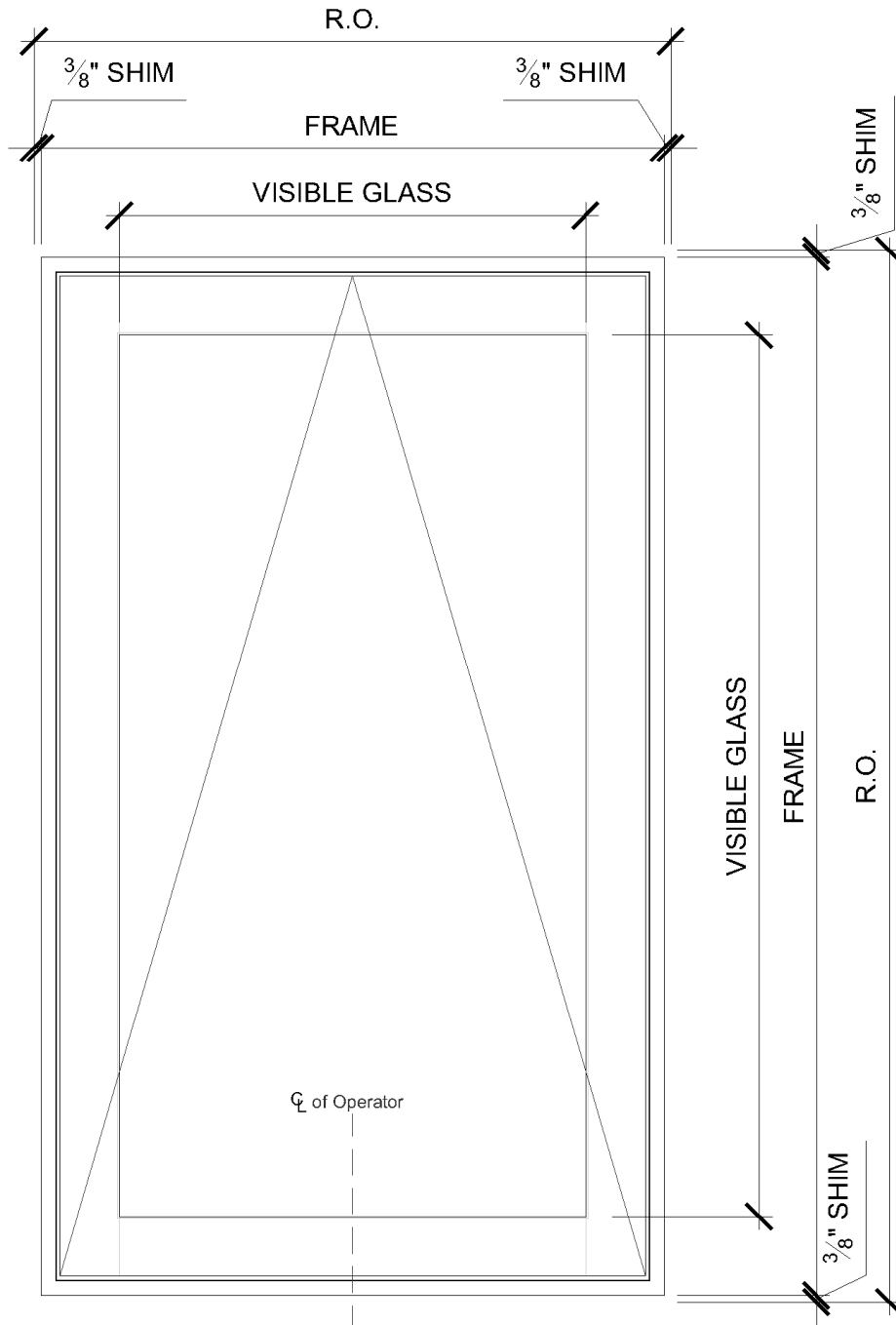
Min Frame Height	14"
Max Frame Height	62-1/2" (Dependant on Height/Width and Glass Size)
Min Frame Width	14"
Max Frame Width	98" (Dependant on Height/Width and Glass Size)
Min Stile Width	3-7/16"
Min Jamb Depth	3-5/8"
Sash Thickness	2-1/2"
Edge Detail	Interior/Exterior: Traditional or Contemporary edge detail

Hardware Images

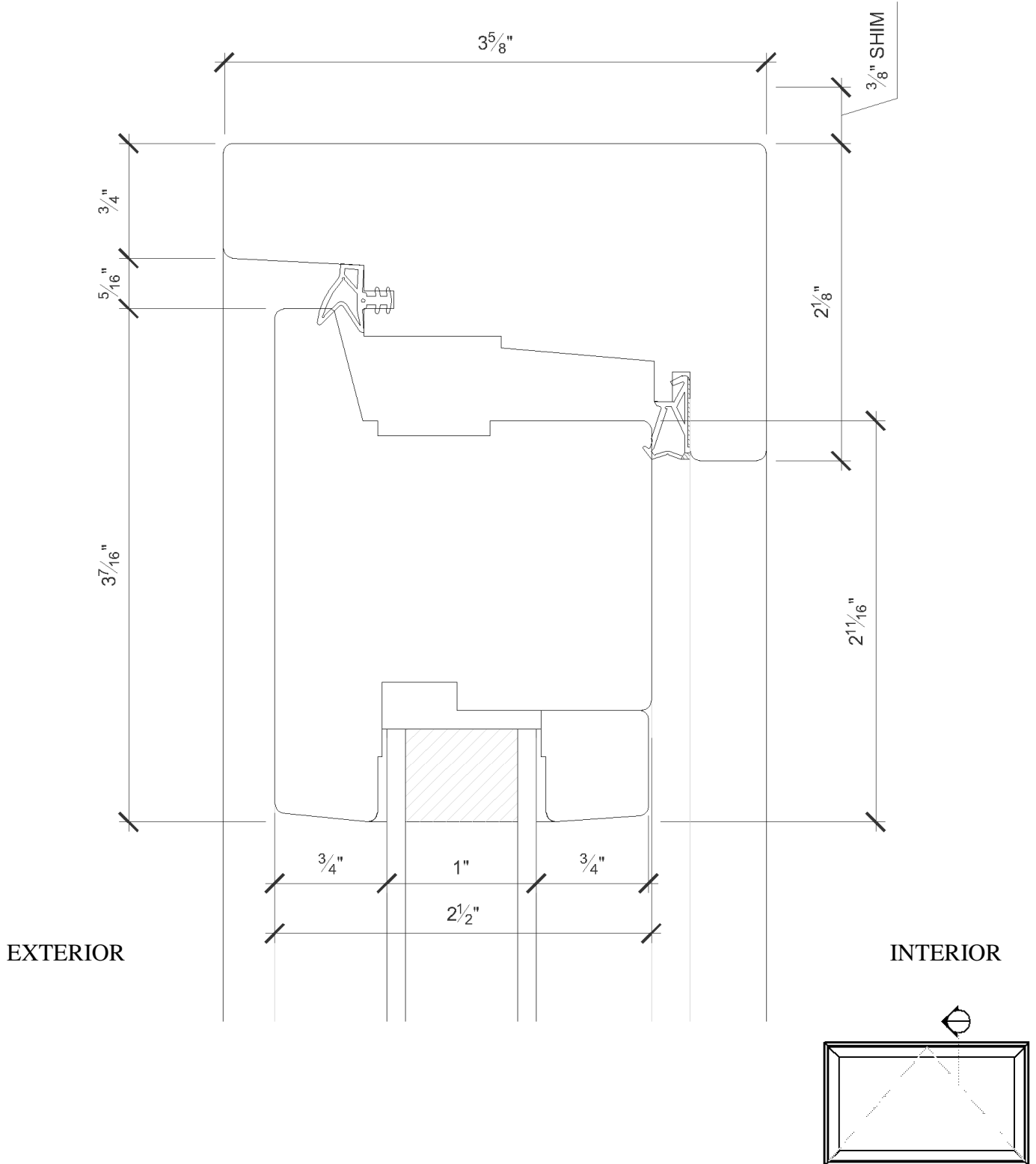
	
London Handle (Standard)	Verona Handle
<ul style="list-style-type: none"> • Silver • Grey Brown • Traffic White 	<ul style="list-style-type: none"> • Polished Brass • Antique Brass • Brushed Chrome • Polished Chrome • Oil-Rubbed Brass • Pure White • Matte Black • Satin Nickel • Antique Nickel

Custom hardware and handles are also available.

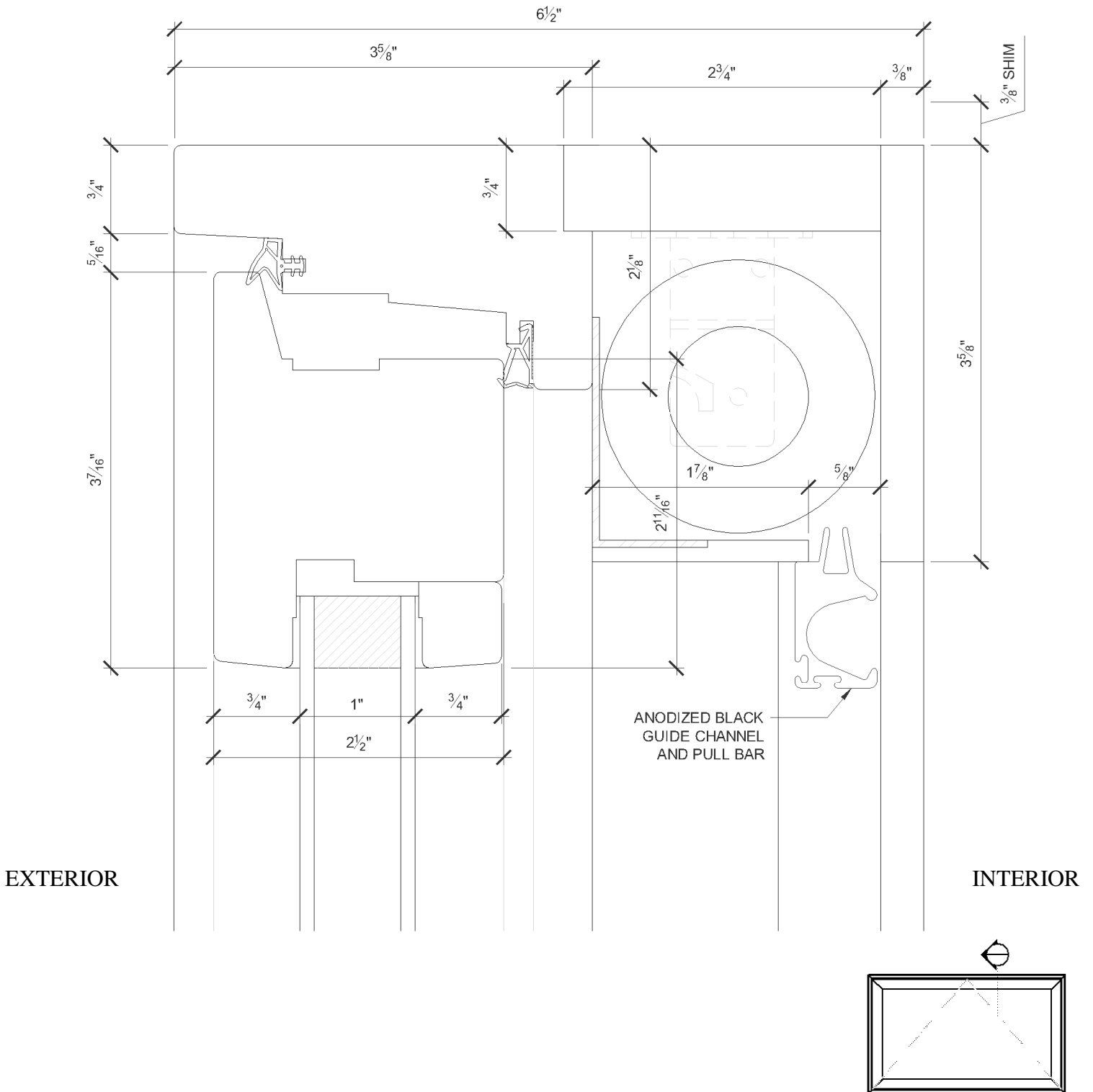
Exterior Elevation



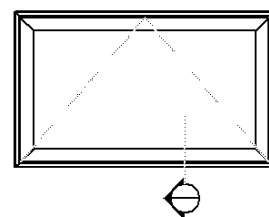
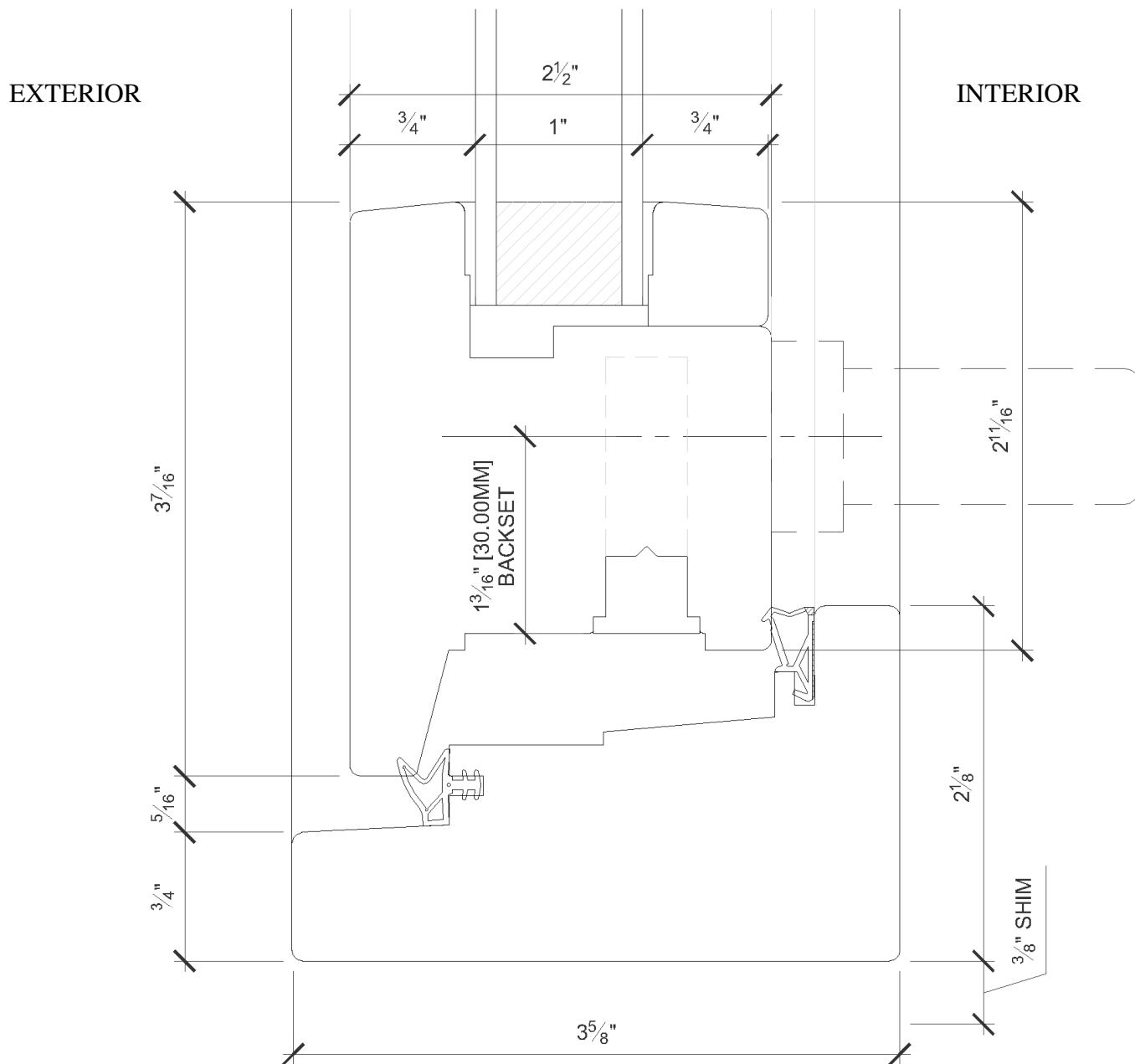
Head Detail



Head Detail (with Roll Screen)



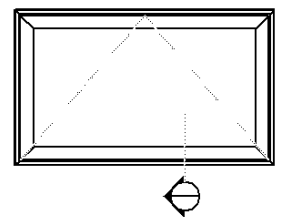
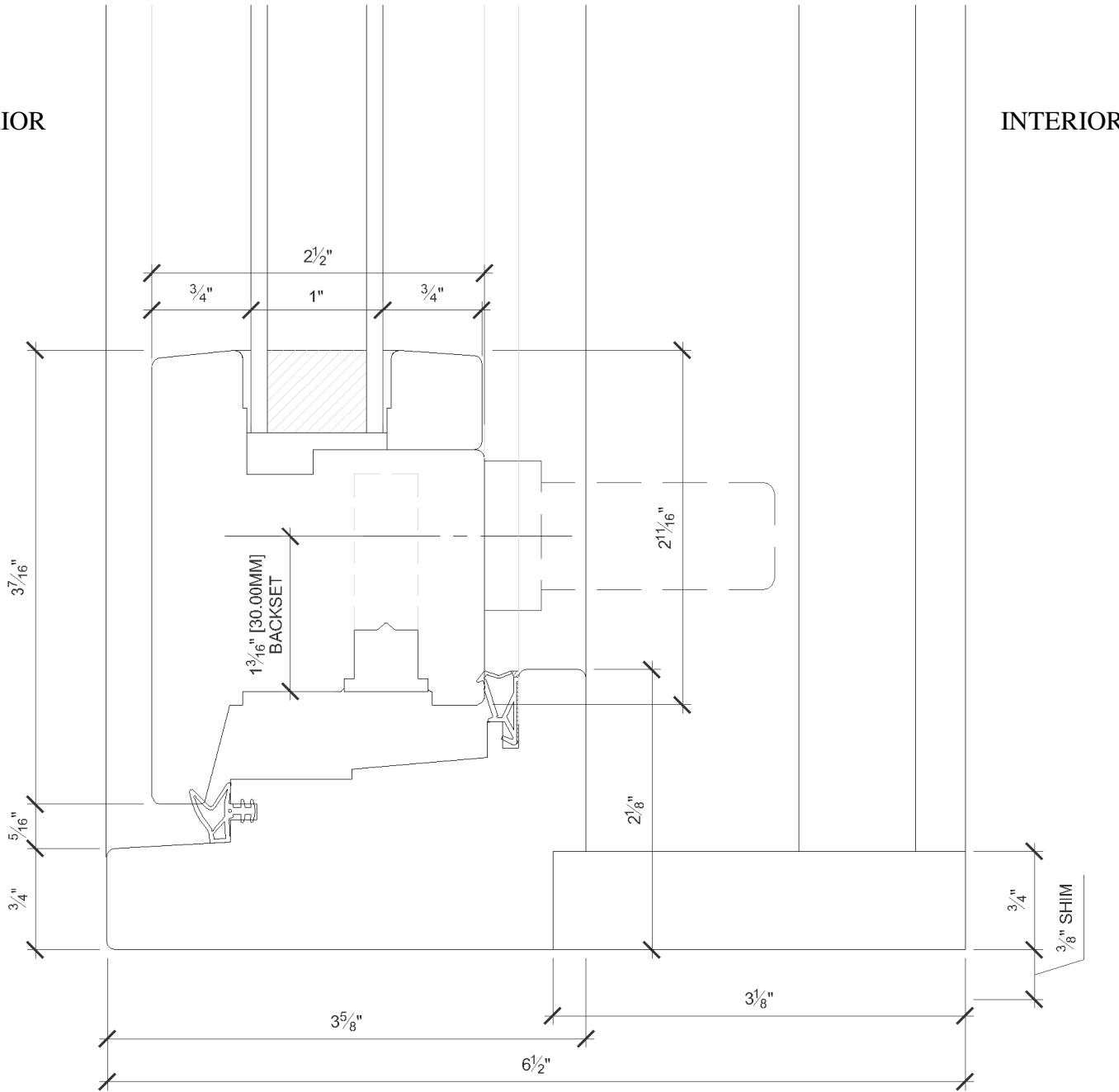
Sill Detail



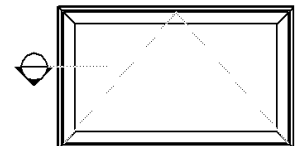
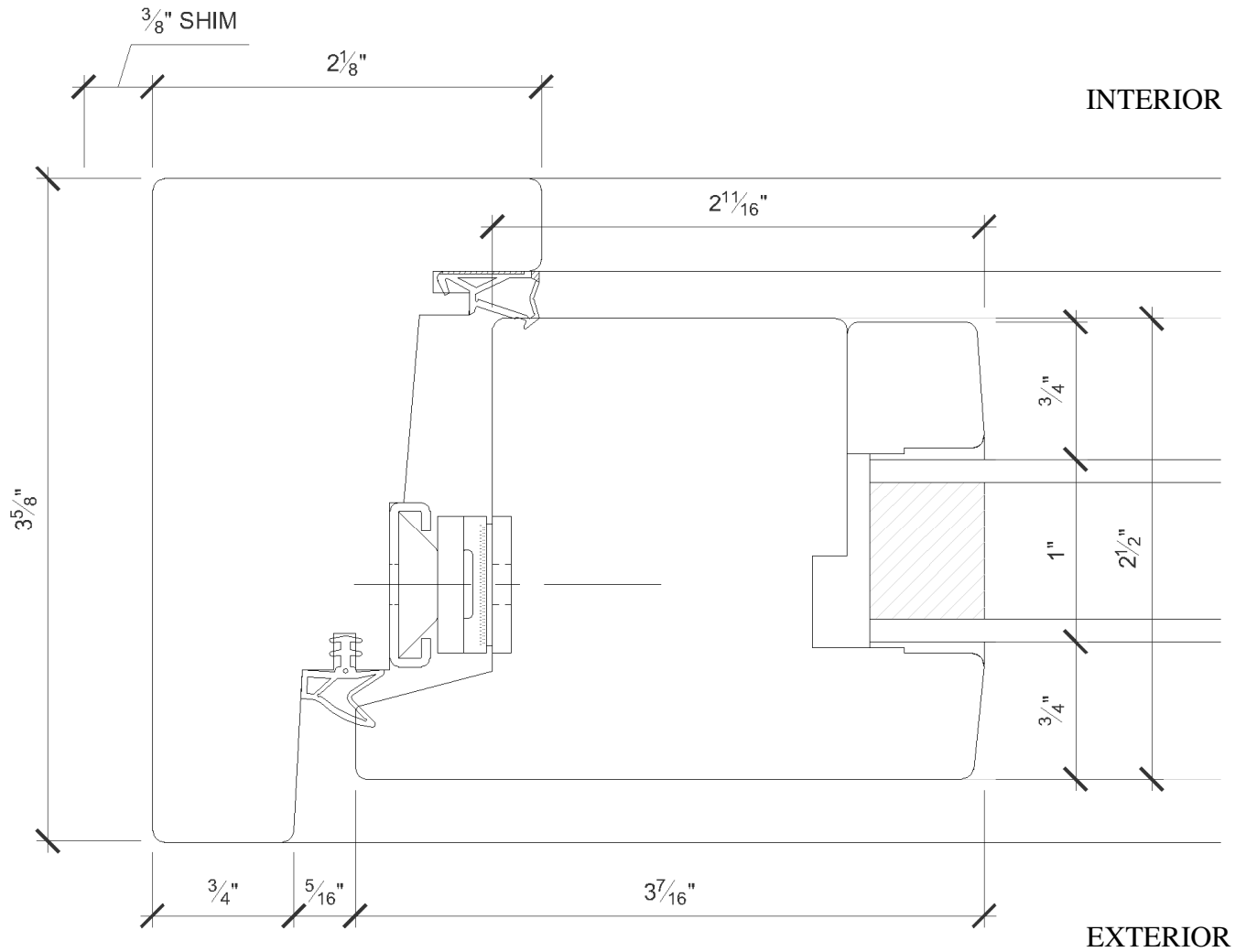
Sill Detail (with Roll Screen)

EXTERIOR

INTERIOR



Typical Jamb Detail



Typical Jamb Detail (with Roll Screen)

