



*by* PACIFIC ARCHITECTURAL MILLWORK

# Direct Set W4400

(rev. 02.06.18)

Copyright © 2018 Reveal Windows & Doors  
All rights reserved. No part of this manual may be reproduced or transmitted in any  
form or by any means without permission by Reveal Windows & Doors.

# Direct Set W4400

## Section Contents

Section Contents .....	2
Product Overview .....	3
Introduction .....	3
Wood Species .....	3
Glazing Options .....	3
Other Options .....	3
Product Parameters .....	3
Exterior Elevation .....	4
Head Detail .....	5
Sill Detail .....	6
Typical Jamb Detail .....	7
Contemporary SDL Detail .....	8

# Product Overview



## Introduction

The Direct Set W4400 window (all-wood) is the foundation of our window line – at once elegant and distinctive, with a narrow sightlines and a multitude of options to allow you to define your own perfect “picture window”. Direct set windows have a jamb only and their glass glazed directly into the frame, which maximizes the light and view.

Configure your direct set window with numerous glazing options, grid patterns, and a variety of shapes and sizes. Every window we sell is crafted with the signature Reveal Windows & Doors quality that adds long-lasting beauty and value to any environment.

## Wood Species

Our standard wood species are the following:



The mark of responsible forestry

- Pine
- Vertical Grain Douglas Fir
- African Mahogany

Alternative and exotic wood species are also available. See the Wood Species page in the General Info section.

## Product Parameters

<b>Min Frame Height</b>	12"
<b>Max Frame Height</b>	144"
<b>Min Frame Width</b>	12"
<b>Max Frame Width</b>	144"
<b>Total Sq. Ft.</b>	≤ 18 sq. ft. of Glass
<b>Min Jamb Depth</b>	3-13/16"
<b>Edge Detail</b>	Exterior: See Section Details Interior: Traditional or Contemporary edge detail

## Glazing Options

Standard glazing for the Direct Set W4400 is 5/8" overall insulated glass.

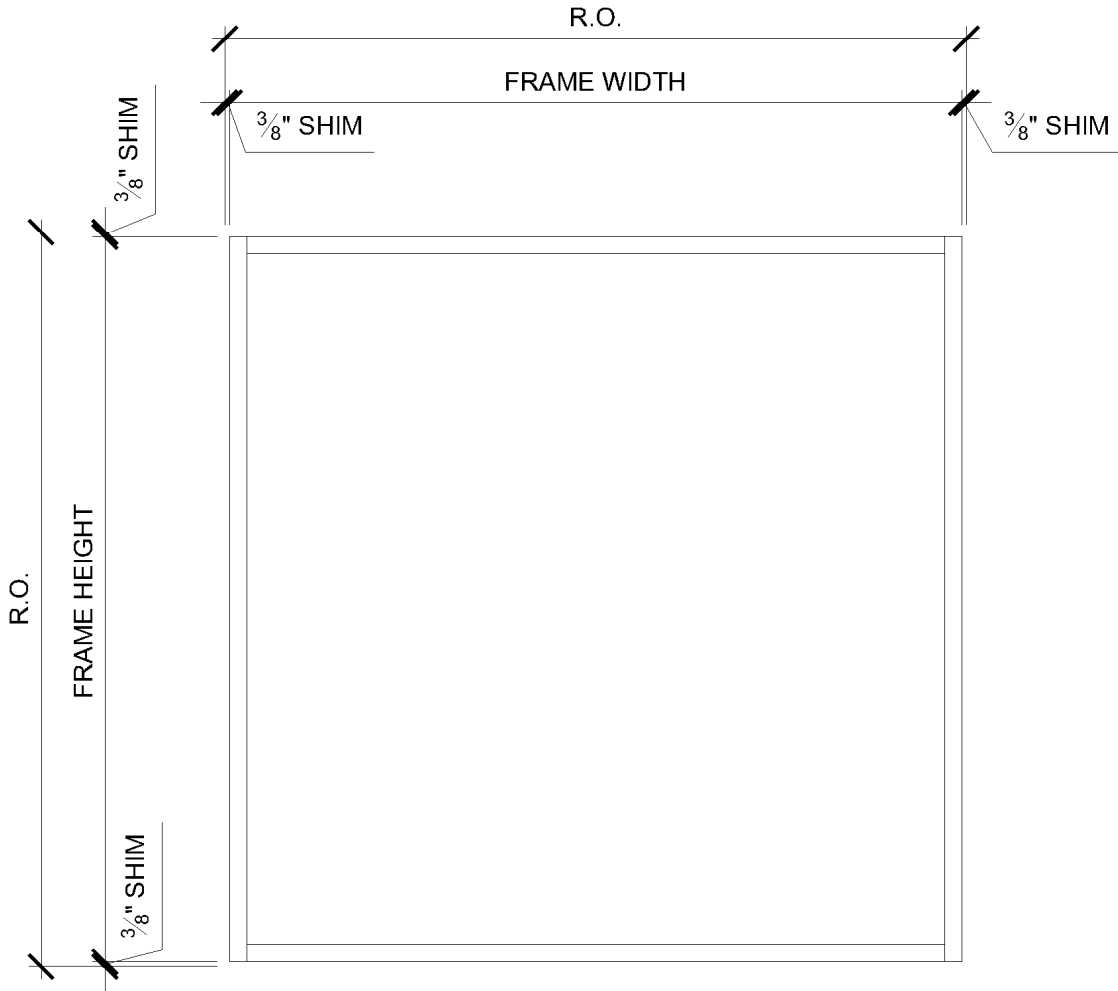
Custom glazing and tinted glass are available.

## Other Options

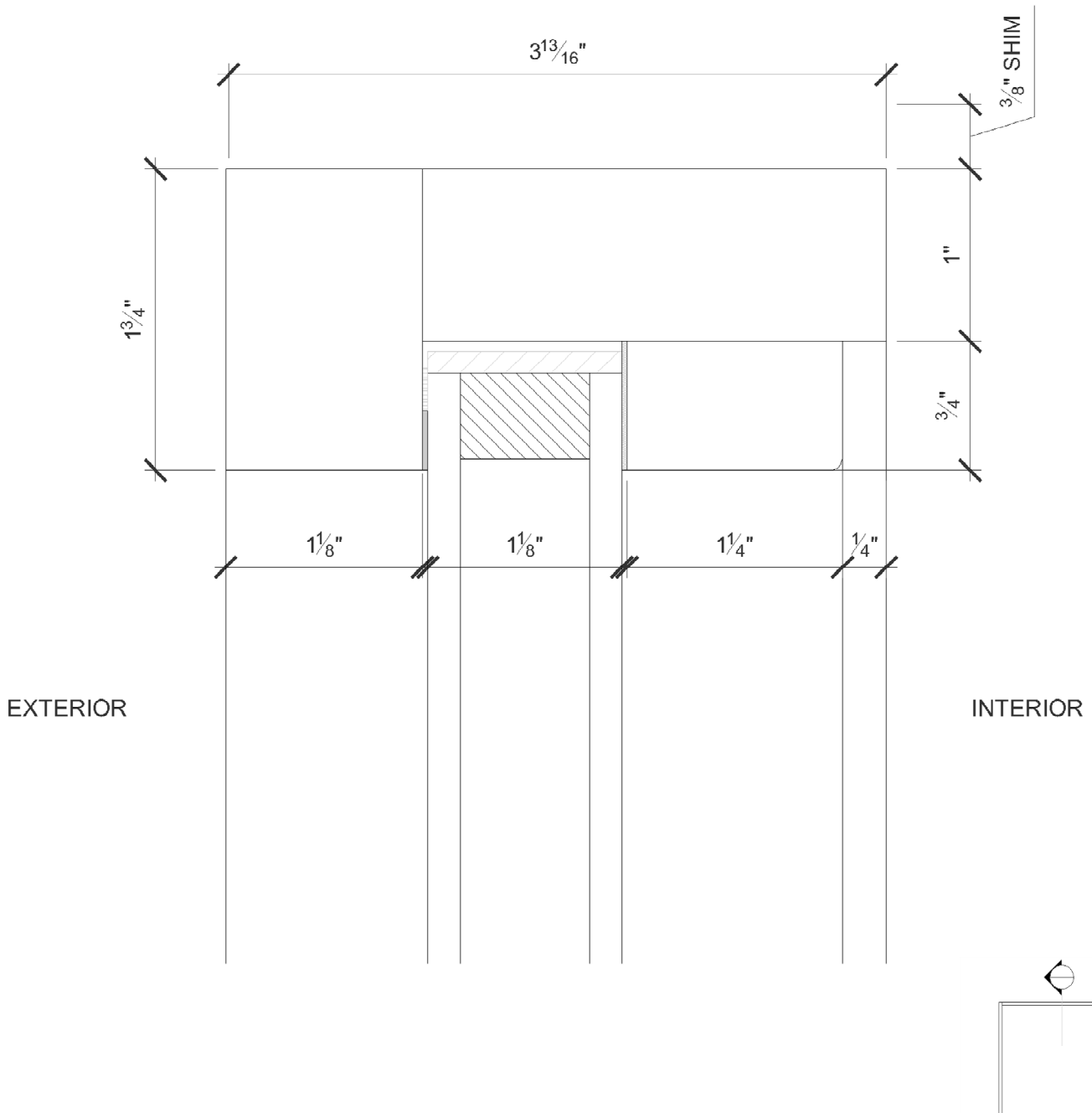
The Direct Set W4400 can be purchased with additional options such as exterior trim and/or divided lites, and can be made in custom geometric or radius shapes.

Contact Reveal Windows & Doors for additional options and customization.

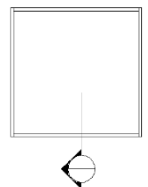
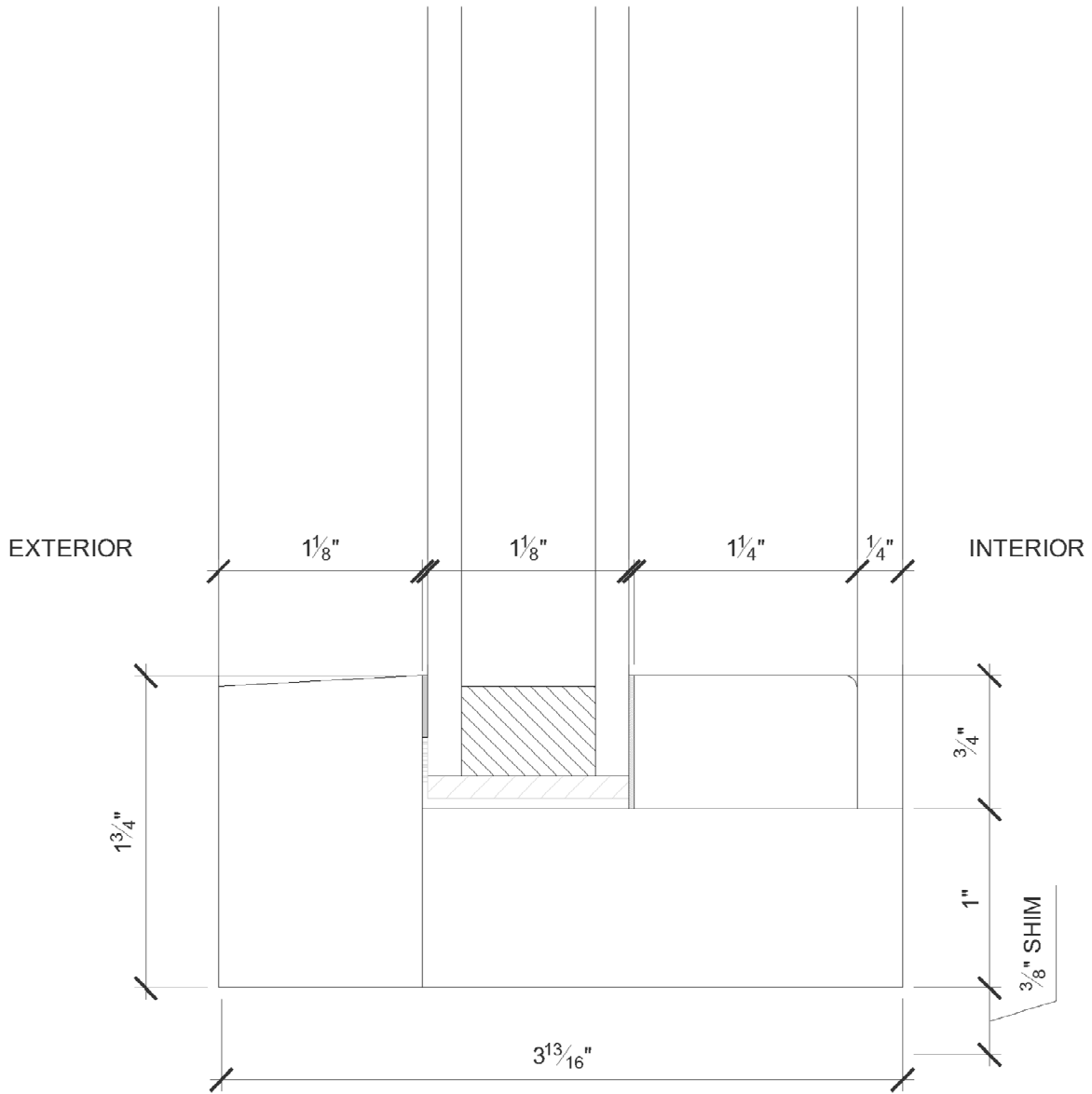
# Exterior Elevation



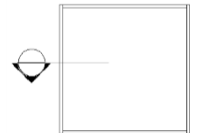
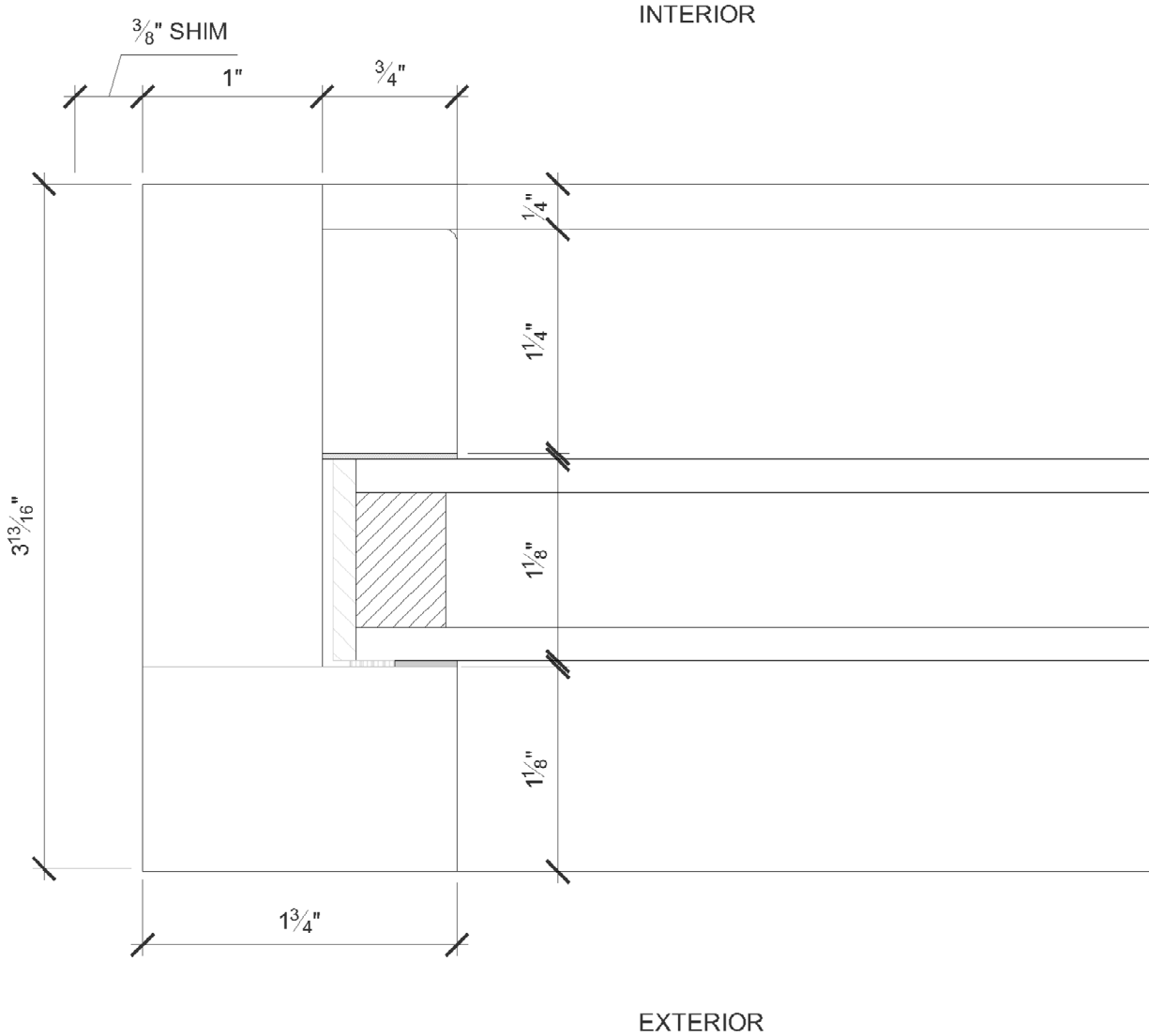
# Head Detail



# Sill Detail



# Typical Jamb Detail



# Contemporary SDL Detail

